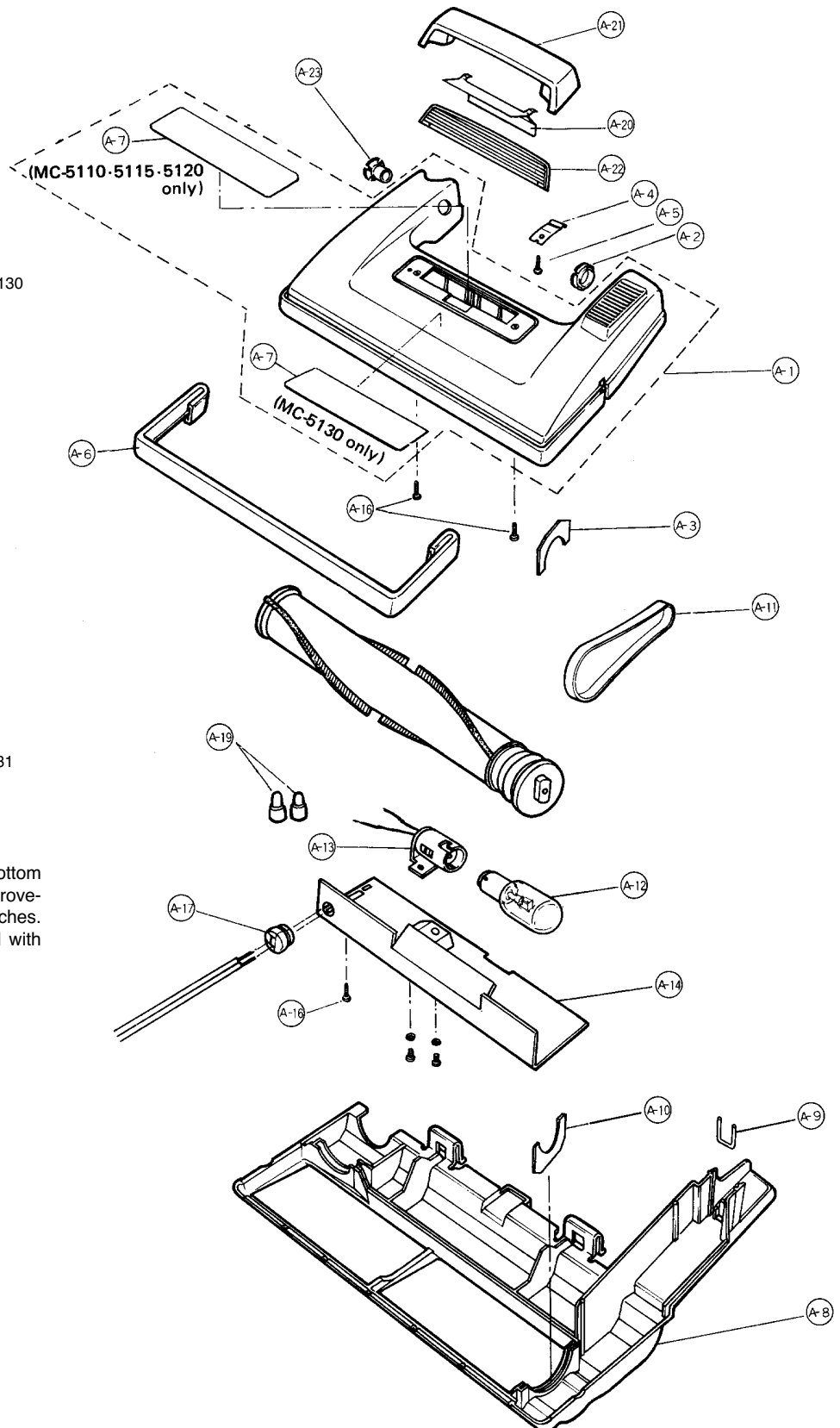


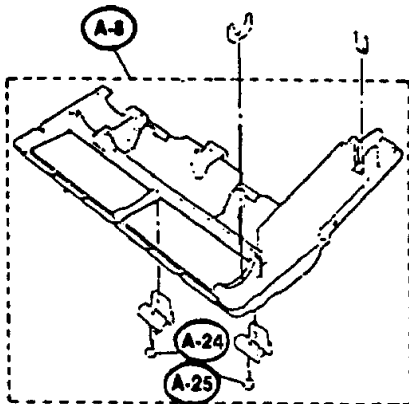
Models: MC-5110, MC-5111, MC-5115, MC-5116, MC-5120, MC-5121, MC-5130, MC-5131

## Nozzle Housing

A1	.....	P-0101	.....	Nozzle Housing, 5110
A1	.....	P-0190	.....	Nozzle Housing, 5115
A1	.....	P-0111	.....	Nozzle Housing, 5120
A1	.....	P-0120	.....	Nozzle Housing, 5130
A1	.....	P-0121	.....	Nozzle Housing, 5111
A1	.....	P-0122	.....	Nozzle Housing, 5116
A1	.....	P-0123	.....	Nozzle Housing, 5121
A1	.....	P-0124	.....	Nozzle Housing, 5131
A2	.....	P-78	.....	Plastic Holder
A3	.....	P-81	.....	Tight Packing
A4	.....	P-58	.....	Pedal Spring
A5	.....	P-416	.....	Screw, 10 pk
A6	.....	P-1012	.....	Furniture Guard, 5110,5120,5130
A6	.....	N/A	.....	Furniture Guard, 5115
A6	.....	P-1005	.....	Furniture Guard, 5111
A6	.....	P-1006	.....	Furniture Guard, 5116
A6	.....	P-1007	.....	Furniture Guard, 5121,5131
A7	.....	P-0200	.....	Top Mark, 5110
A7	.....	P-0291	.....	Top Mark, 5115
A7	.....	P-0211	.....	Top Mark, 5120
A7	.....	N/A	.....	Top Mark, 5130
A7	.....	P-0221	.....	Top Mark, 5111
A7	.....	P-0222	.....	Top Mark, 5116
A7	.....	N/A	.....	Top Mark, 5121
A7	.....	P-0224	.....	Top Mark, 5131
A8	.....	P-9101	.....	Bottom Plate Assy, new style
A9	.....	P-4303	.....	Belt Cover
A10	.....	P-7500	.....	Body Packing
A11	.....	P-2287	.....	Belt, 2 pack
A11	.....	P-200	.....	Belt, sold each (R)
A12	.....	MP-25K	.....	Bulb, 25 watt (R)
A13	.....	N/A	.....	Lamp Holder
A14	.....	P-8520	.....	Bulb Supporter
A16	.....	P-416	.....	Screw, 10 pk
A17	.....	SS-34	.....	Wire Bushing, sold each (R)
A19	.....	SS-71B	.....	Wire Nut, 100 pack (R)
A20	.....	P-842	.....	Reflection Plate
A21	.....	P-8620	.....	Supporter, reflection plate
A21	.....	P-8621	.....	Supporter, reflection plate, 5131
A22	.....	P-2120	.....	Window
A23	.....	P-2500	.....	Shaft, plastic

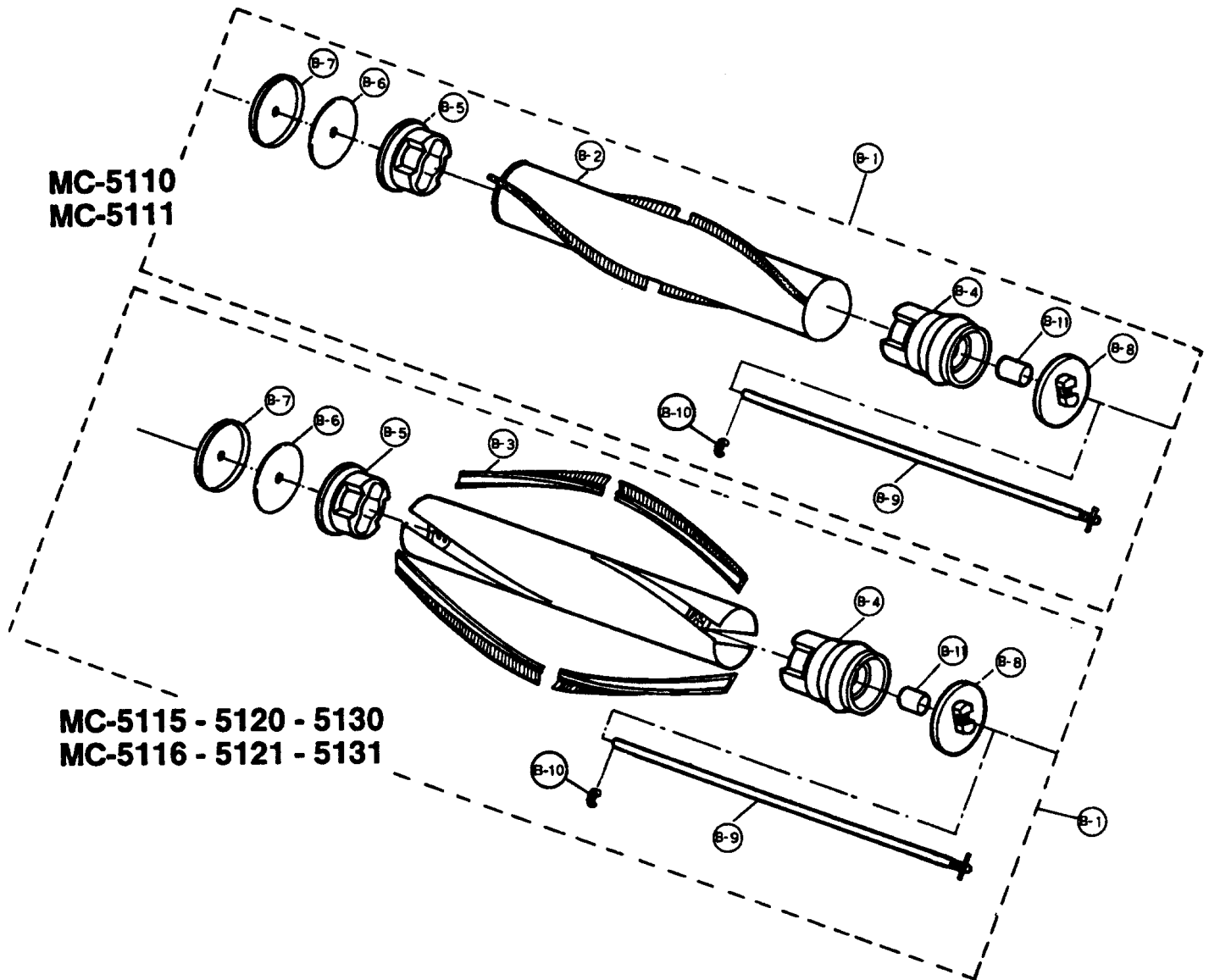


Early production 5100 series used a one piece bottom plate with molded latches. There has been an improvement on current production featuring replaceable latches. Early bottom plates that break, must be replaced with bottom plate # P-2702.



A8	.....	P-9101	.....	Bottom Plate Assy
A24	.....	P-0800	.....	Latch
A24	.....	P-8	.....	Latch
A25	.....	P-416	.....	Screw, 10 pk

## Agitator Assembly



B1 ..... P-9 ..... Agitator Assy, 5110,5111  
 B1 ..... P-921 ..... Agitator Assy, 5115,5120,5130,  
 5116,5121,5131  
 B1 ..... P-510 ..... Agitator Assy, 5100 series (R)  
 B2 ..... P-84 ..... Agitator Tube

B3 ..... P-85 ..... Brush Insert  
 B3 ..... P-425 ..... Brush Insert, (R)  
 B4 ..... N/A ..... Agitator Pulley, w/ bearing  
 B5 ..... P-4101 ..... Agitator Holder, w/ bearing  
 B6 ..... P-321 ..... Filter

B8 ..... P-00125 ... End Cap, right  
 B7 ..... P-960 ..... End Cap, left  
 B9 ..... P-57 ..... Agitator Shaft  
 B10 ..... P-411 ..... E-Clip  
 B11 ..... P-74 ..... Spacer



Models: MC-5110, MC-5111, MC-5115, MC-5116, MC-5120, MC-5121, MC-5130, MC-5131

## Motor Housing, Dust Compartment, Handle

C1	P-400	Dust Compartment	C38	P-333	Protector Filter
C1	P-4002	Dust Compartment, 5111,5116,5121, 5131	C39	P-6400	Handle, 5110
C2	H-339	Switch, on/off (R)	C39	P-6410	Handle, 5115
C3	P-622	Cord Stopper	C39	P-6411	Handle, 5120
C4	P-416	Screw, 10 pk	C39	P-6412	Handle, 5130
C5	MP-225	Cord, 20 ft, white (R)	C39	P-6401	Handle, 5111
C5	MP-230	Cord, 30 ft, white (R)	C39	P-6415	Handle, 5116
C6	SS-71B	Wire Nut, 100 pack (R)	C39	P-6416	Handle, 5121
C7	P-66	Gasket, rubber	C39	P-6420	Handle, 5131
C8	P-031	Switch Cover	C40	P-5337	Cord Hook, upper
C8	P-0304	Switch Cover, 5111,5116,5121,5131	C40	P-5301	Cord Hook, upper, 5111
C9	P-73	Gasket, rubber	C40	P-5302	Cord Hook, upper, 5116
C10	P-416	Screw, 10 pk	C40	P-5303	Cord Hook, upper, 5121,5131
C11	P-7301	Screw, handle	C41	P-5501	Cord Hook
C12	P-2117	Nut	C41	P-5503	Cord Hook, 5111
C13	P-3200	Filter Supporter	C41	P-5500	Cord Hook, 5116
C14	P-375	Secondary Filter	C41	P-5502	Cord Hook, 5121,5131
C15	P-0102	Roller	C42	P-7670	Spring, cord hook
C15	P-0107	Roller, 5111,5116,5121,5131	C43	P-587	Washer
C16	P-161	Shaft, roller	C44	P-5407	Cord Hook, lower
C17	P-05	E-Clip, 30 pk	C44	P-541	Cord Hook, lower, 5111
C18	P-115P	Paper Bag, type "U", 3 pack	C44	P-543	Cord Hook, lower, 5116
C18	P-115PT	Paper Bag, type "U", 12 pack	C45	P-430	Screw
C18	253	Paper Bag, type "U", 3 pack (R)	C46	P-606	Dust Cover, 5110,5115
C18	253-12	Paper Bag, type "U", 12 pack (R)	C46	P-602	Dust Cover, 5120,5130
C18	MF11	Paper Bag, microfiltration, 3 pack (R)	C46	P-6020	Dust Cover, 5111
	P-9923	Cloth Bag, w/ slide, blue	C46	P-6024	Dust Cover, 5116
	P-55	Cloth Bag, w/ zipper (R)	C46	P-6025	Dust Cover, 5121,5131
C19	P-607	Suction Inlet	C47	P-1122	Indicator Plate
C19	P-6075	Suction Inlet, 5111,5116,5121,5131		P-2121	Ornamental Plate, 5111
C20	P-0271	Cover		P-2122	Ornamental Plate, 5116
C20	P-02712	Cover, 5111,5116,5121,5131		P-1121	Vac Guage Plate, 5121
C21	P-416	Screw, 10 pk		P-1123	Vac Guage Plate, 5131
C22	P-091	Motor Case	C48	P-9300	Packing, indicator
C22	P-0901	Motor Case, 5111,5116,5121,5131	C49	P-1720	Indicator Cap
C23	P-201	Packing, rear cover	C50	P-4212	Spring, indicator
C24	P-195	Packing, motor case	C51	P-0368	Indicator Lead
C25	P-416	Screw, 10 pk	C52	P-1520	Indicator Pipe
C26	P-6921	Protector	C53	P-4100	Screw
C27	P-7000	Spring, protector	C54	P-3403	Nozzle Hose
C28	P-6820	Protector Case	C54	P-3404	Nozzle Hose, 5121,5131
C29	P-182	Supporter, protector			
C30	P-441	Lead Wire			
C31	P-926	Motor			
C32	P-272	Carbon Brush, 5111,5116,5121,5131			
C33	P-9920	Noise Suppressor			
C34	P-0293	Motor Support Rubber, front			
C35	P-0303	Motor Support Rubber, rear			
C36	P-377	Wire Cord, all models except 5130			
C36	P-376	Wire Cord, 5130			
C37	SS-71B	Wire Nut, 100 pack (R)			