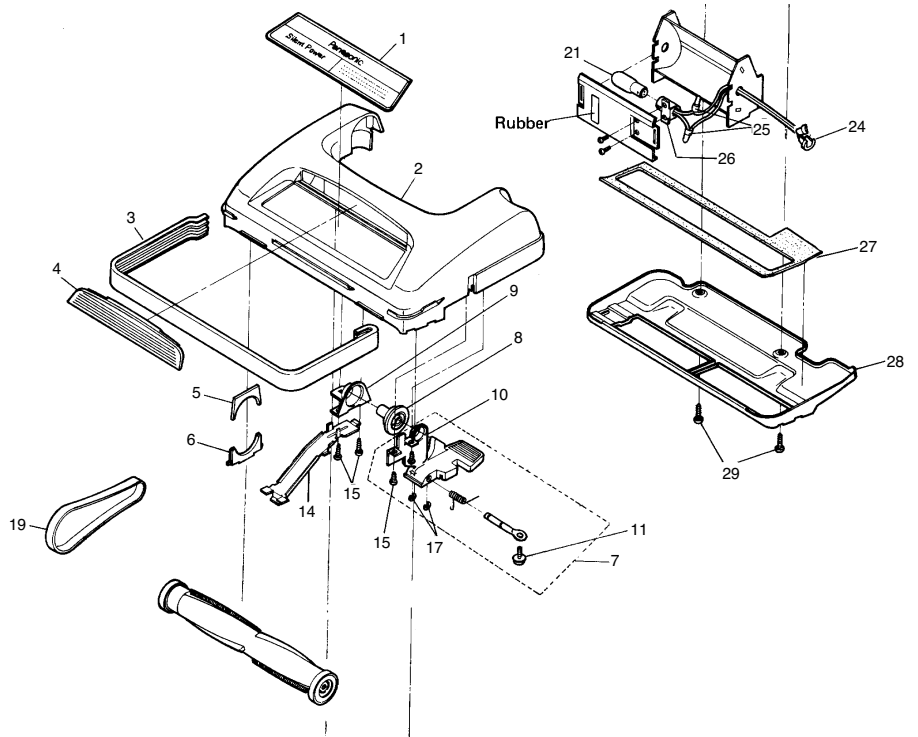


Models: MC-661, MC-662, MC-663, MC-671, MC-672

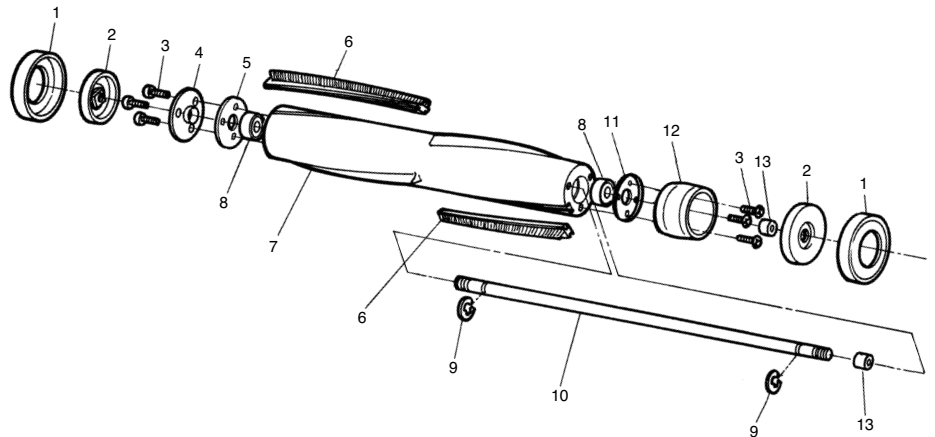
Body Unit

- 1 N/A Nameplate, 661,671
- 1 N/A Nameplate, 662,672
- 2 N/A Nozzle Housing, 661,671
- 2 N/A Nozzle Housing, 662,663,672
- 3 P-107 Furniture Guard
- 4 P-217 Lens, 661,671
- 4 P-218 Lens, 662,663,672
- 5 P-005 Agitator Holder, upper, w/o clip
- 6 P-050 Agitator Holder, lower, w/o clip
- 7 P-807 Pedal Assembly
- 8 P-257 Bearing, plastic agitator holder
- 9 P-787 Bearing, metal holder
- 10 P-437 Frame, pedal assy holder
- 11 P-516 Screw, long, foot pedal
- 14 P-4300 Belt Cover
- 15 P-416 Screw, 10 pk
- 17 P-05 E-Clip, pedal shaft, 30 pk
- 19 P-2287 Belt, type "UB", 2 pack
- 19 P-200 Belt, sold ea (R)
- 21 MP-25K Bulb, 662,663,672 (R)
- 24 SS-34 Cord Lock Bushing, sold ea (R)
- 25 SS-71B Wire Nut, 100 pack (R)
- 26 N/A Lamp Holder, 662,663,672
- 27 P-197 Body Packing, gasket, bottom plate
- 28 P-277 Bottom Plate
- 29 P-20 Screw, bottom plate



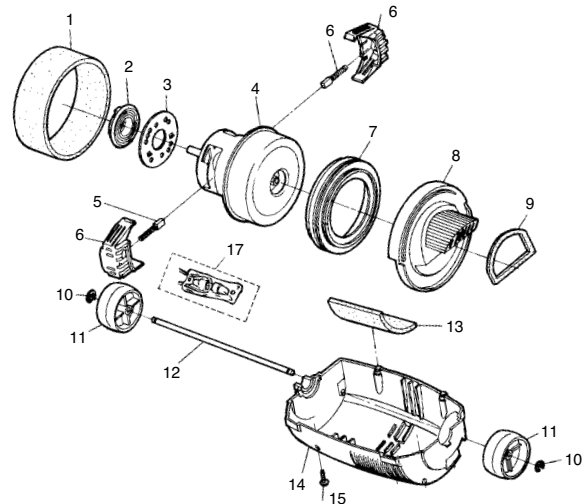
Agitator Assembly

- 1 P-41000 End Cover, rubber
- 2 P-970 End Cap
- 3 P-38 Screw
- 4 P-540 End Plate
- 5 P-300 Filter, agitator bearing
- 6 N/A Brush Strip
- 6 N/A Brush Strip, (R)
- 7 P-840 Agitator Shell Only
- 8 P-350 Bearing, agitator
- 9 P-05 E-Clip, agitator shaft, 30 pk
- 10 P-570 Shaft
- 11 P-600 Pulley, metal cap
- 12 P-290 Pulley, plastic
- 13 P-3340 End Spacer, pulley
- P-920 Agitator Complete



Motor Housing

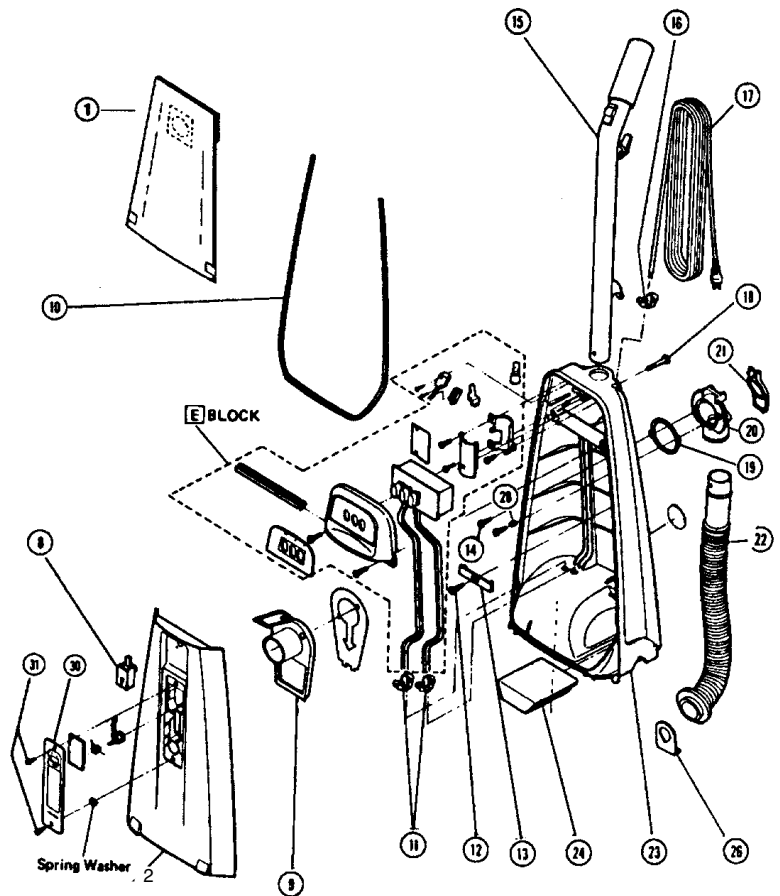
- 1 P-9920 Noise Suppressor
- 2 P-037 Motor Support, rubber
- 3 P-6370 Motor Cover
- 4 P-0117 Motor, 661,662,671,672
- 4 P-119 Motor, 663
- 5 P-272 Carbon Brush, w/ spring
- 6 N/A Cap, carbon brush
- 7 P-24 Motor Support, rubber, front
- 8 NLA Partition, rear
- 9 P-657 Packing, body partition, gasket
- 10 P-05 E-Clip, 30 pk
- 11 P-0177 Wheel, rear
- 12 P-167 Axle, rear wheel shaft
- 13 P-0207 Packing, rear cover
- 14 P-097 Motor Case, lower
- 15 P-4201 Screw
- 17 P-959 Control Diode
- MP-39KDD Bearing, motor (R)



Models: MC-661, MC-662, MC-663, MC-671, MC-672

Bag Housing

- 1 P-115P Paper Bag, type "U", 3 pack
- 1 P-115PT Paper Bag, type "U", 12 pack
- 1 253 Paper Bag, type "U", 3 pack (R)
- 1 253-12 Paper Bag, type "U", 12 pack (R)
- 1 MF-11 Paper Bag, type "U", microfiltration, 3 pk (R)
- P-9923 Cloth Bag, slide, blue/green
- P-55 Cloth Bag, zipper (R)
- 2 P-672 Cover, bag housing, 661,671
- 8 P-17 Bag Lock Knob, front housing
- 9 P-1034 Bag Support
- 10 P-747 Gasket, bag housing
- 11 SS-34 Cord Lock, sold each (R)
- 12 P-413 Screw
- 13 P-137 Holder, paper bag
- 14 P-416 Screw, 10 pk
- 15 P-958 Handle
- 16 SS-34 Cord Lock, sold each (R)
- 17 MP-225 Cord, 20 ft, white (R)
- 17 MP-230 Cord, 30 ft, white (R)
- 18 P-73000 Screw, handle support
- 19 P-647 Gasket, suction inlet
- 20 P-607 Suction Inlet
- 21 N/A Cover, suction inlet
- 22 N/A Hose, suction inlet
- 23 N/A Bag Housing
- 24 P-307 Filter
- 26 P-247 Inlet Hose Fitting
- 28 P-3470 Spacer
- 30 P-116 Ornamental Plate
- 31 P-3120 Screw Plate



Power Control Switch

- 1 P-416 Screw, 10 pk
- 3 P-7377 Upper Gasket, bag housing
- 5 P-416 Screw, 10 pk
- 6 P-697 Handle Support Fitting
- 7 P-537 Handle Support
- 10 P-987 Switch, on / off
- 11 P-157 Switch Lever, on / off
- 12 SS-71B Wire Nut, 100 pack (R)
- 15 P-4570 Terminal Cover
- N/A Power Control Switch

