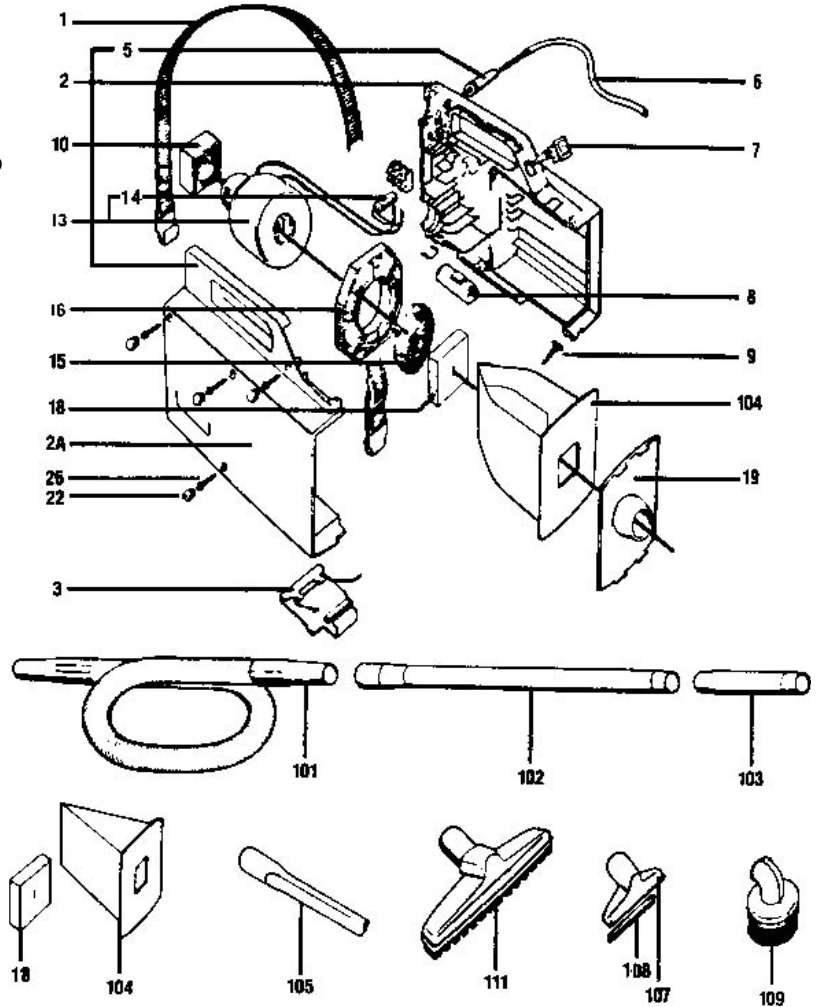


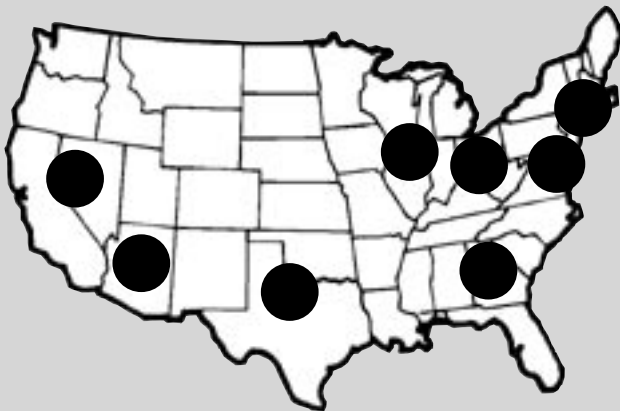
Models: BB-180 / BB-280D

"Buster B" Portable Vacuum

- 1 O-050044 Shoulder Strap, w/ hooks
- 2 O-050093 Body, right side, w/ switch and indicator hole, 180
- 2 O-0500802 Body, right side, 280D
- 2A O-050094 Body, left side, 180
- 2A O-0500801 Body, left side, w/ switch and indicator opening, 280D
- 3 O-050028 Cover Clamp Assembly
- 5 SS-34 Strain Relief, (R)
- 6 O-050083 Power Cord
- 7 O-050082 Main Switch, complete
- 8 O-050046 Trouble Shooter Indicator
- 9 O-050065 Screw, cord bracket
- 10 O-050030 Motor Mounting Ring, rear
- 13 O-0051100 Motor Assy, 180
- 13 O-7205601 Motor Assy, 280D
- 15 O-050079 Metal Protective Screen
- 16 O-050029 Motor Mounting Ring
- 18 O-050087 Micro Filter
- 19 O-097210001 Cover, w/ rubber flutter valve (ney style)
- NLA Cover, w/ rubber flutter valve (old style)
- 22 O-050066 Screw Cover
- 26 O-050047 Screw, housing
- 101 O-050049 Hose Assy, w/ curved handle
- 102 O-050031 Wand
- 103 O-050032 Adaptor Tube, for tools
- 104 O-MV24 Paper Bags, 12 pk
- 105 O-050059 Crevice Tool
- 107 O-050061 Upholstery Tool, w/ brush strip
- 109 O-050063 Dusting Brush
- 111 O-050068 Floor and Wall Tool, 8"



HESCO HAS 8 REGIONAL DISTRIBUTION WAREHOUSES TO SERVE YOU FASTER



- ATLANTA, GEORGIA
- COLUMBUS, OHIO
- ELKRIDGE, MARYLAND
- GRAND PRAIRIE, TEXAS
- NILES, ILLINOIS
- PHOENIX, ARIZONA
- SPARKS, NEVADA

WESTFIELD, MASSACHUSETTS

FASTER DELIVERY TIMES and LOWER SHIPPING COSTS