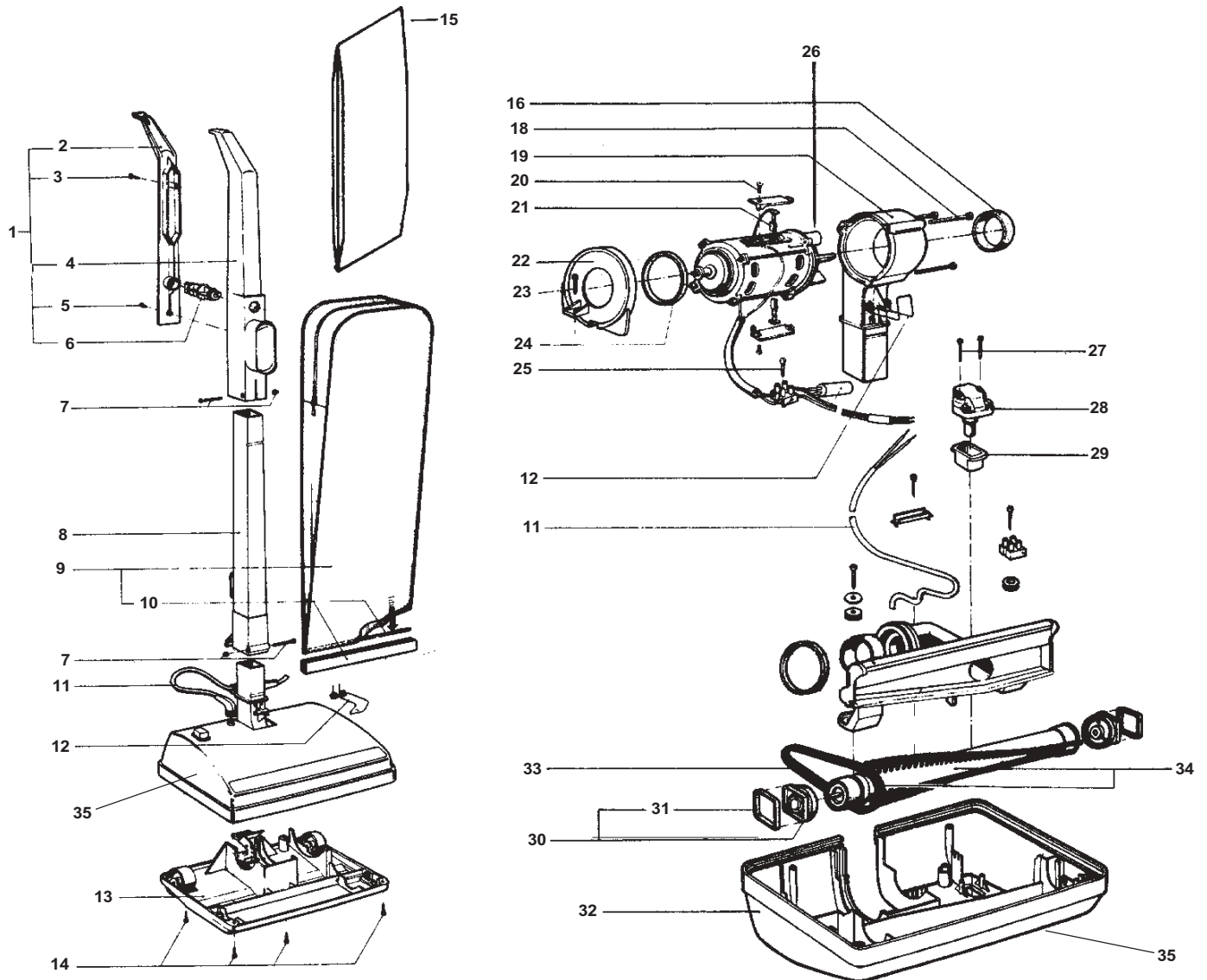


ORECK

UPRIGHTS

Models: XL4000, XL4300



- 1 O-C03095 Handle Assembly
- 2 N/A Backplate
- 3 O-03286 Screw
- 4 O-C03002 Upper Handle
- 5 N/A Screw
- 6 N/A Knob
- 7 O-03288 Screw
- 8 O-C03001 Lower Handle
- 9 N/A Outer Bag
- 10 N/A Bag Tension Bar
- 11 O-03217 Cord
- 12 N/A Retaining Spring
- 13 N/A Base Plate, w/ handle release spring

- 14 O-03289 Screw
- 16 O-A03035 Sealing Ring
- 18 O-03293 Screw
- 19 N/A Fan Housing
- 20 O-03290 Screw
- 21 O-03150 Carbon Brush, set of 2
- 22 N/A Motor Pivot
- 23 O-03291 Screw
- 24 O-A03086 Motor Sliding Ring
- 25 O-03292 Screw
- 26 N/A Fan
- 27 O-03303 Screw
- 28 N/A Switch
- 29 O-A03039 Switch Button

- 30 N/A Brush Bearing
- 31 N/A Gasket
- 32 O-A03010 Bumper
- 33 O-A03030 Belt, sold each
- 33 O-103 Belt, sold each (R)
- 34 O-03148 Brush Only
- 35 O-03143 Top Cover
- N/A Fan Nut, left hand

•Motor is discontinued. Order through Whirlpool.