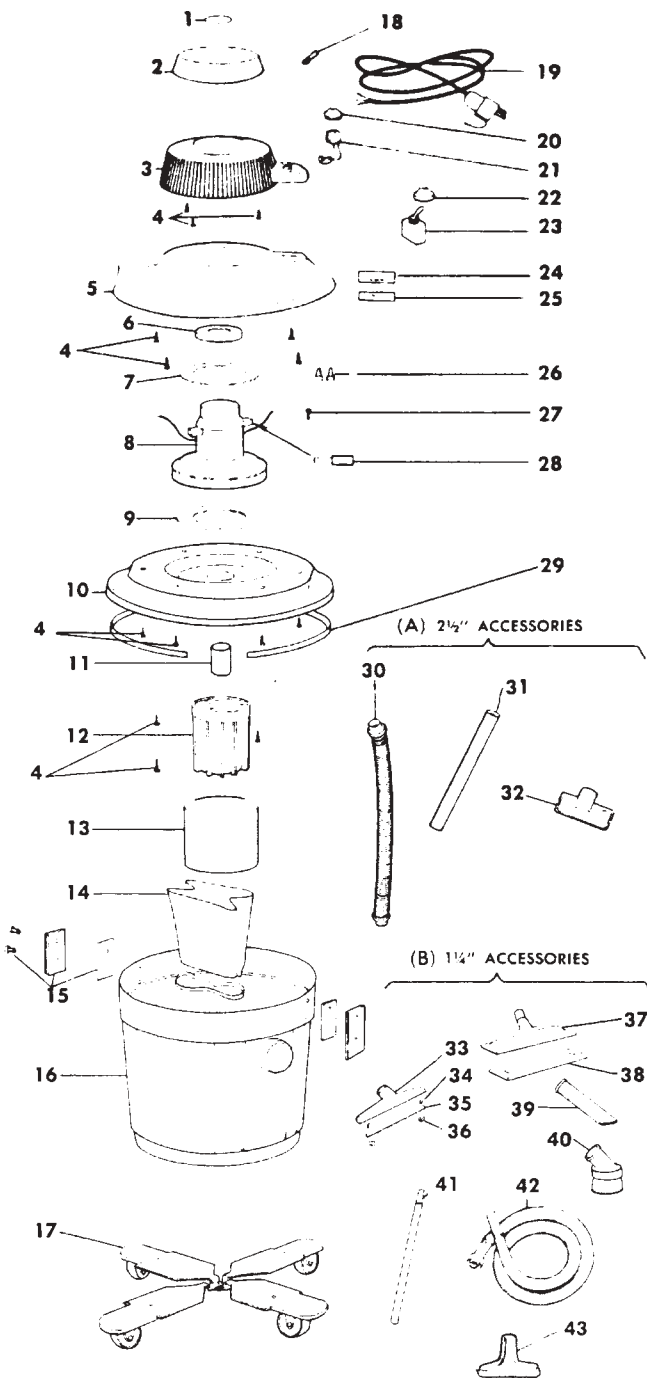


Model: XLWD69/LCM70



- 1 NLA Label
- 2 O-62047 Upper vent cover
- 3 DG-63046G Lower vent cover
- 4 O-61183M Screws
- 5 O-62045A Upper motor housing
- 6 O-62081 Upper motor mtg ring
- 7 O-62051 Lower motor isolator
- 7a DG-62051A Gasket
- 8 DG-91021 Motor
- 9 DG-62050A Gasket
- 9a O-62050 Lower fan isolator
- 10 NLA Lower motor housing
- 11 DG-62049 Float
- 12 DG-62048 Filter support
- 13 O-62057 Foam filter
- 14 O-PKWD5 Filter bags
- 15 O-90066 Clamp kit
- 16 DG-61723P Lower housing assembly
- 17 DG-62605B Dolly kit
- 18 DG-61828 Terminal
- 19 O-61825B Cord & adapter
- 20 O-61944B Cord boot
- 21 DG-61577 Strain relief
- 22 O-61944A Switch boot
- 23 DG-61876 Switch assembly
- 24 NLA Label, specification
- 25 O-62102 Label, warning
- 26 DG-61199 Wire connectors
- 27 O-61183M Screw
- 28 O-62078Z Motor brush assembly
- 29 DG-62051A Sealing gasket
- 30 NLA 2 1/2" hose assembly
- 31 O-62097A 2 1/2" wands
- 32 O-61795C 2 1/2" utility tool
- O-90275 2 1/2" accessory kit, includes #30-32
- 33 O-62372D 10 x 1 1/4" floor tool
- 34 O-90055 Springs
- 35 NLA Bristle
- 36 O-90056 Clips
- 37 O-62059B 1 1/4" wet pickup tool
- 38 O-90237 Bottom plate & squeegee assembly
- 39 O-72031010327 1 1/4" crevice tool
- 40 O-72029010327 1 1/4" dusting brush
- 41 DG-62759F 1 1/4" wands
- 42 O-62036E 1 1/4" hose assembly
- 43 O-72030010327 Upholstery tool

- DG-91015 Foam filter kit
- NLA Instruction sheet