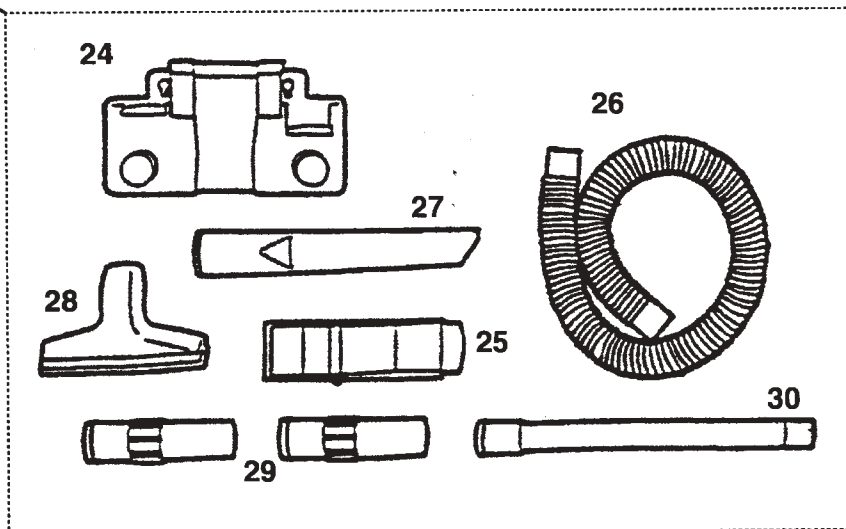


- 1 ..... O-63555Q ..... Housing - right
  - 2 ..... O-63556Q ..... Housing - left
  - 3 ..... O-63782 ..... Switch - rocker
  - 4 ..... O-63792 ..... Jumper wire
  - 5 ..... O-63804 ..... Motor, 240V
  - 6 ..... O-63783 ..... Terminal block
  - 7 ..... O-63795F ..... Power cord
  - 8 ..... O-063573E ..... Dust bag
  - 12 ..... DG-63550A ..... Impeller
  - 13 ..... DG-63556A ..... Shaft
  - 14 ..... DG-63199 ..... Brush roller assembly
  - 15 ..... DG-63553 ..... Belt
  - 16 ..... O-80283H ..... Front plate assembly
  - 17 ..... O-80380D ..... lens
  - 18 ..... DG-63579 ..... Guide plate
  - 19 ..... O-63586 ..... Bushing, strain relief
  - 20 ..... O-63554 ..... Nut
  - 21 ..... NLA ..... Filter, R.F.I.
  - 22 ..... O-63563D ..... Air flow control knob
  - 23 ..... O-91088G ..... Tools kit
  - 24 ..... O-63377 ..... Mounting bracket
  - 25 ..... DG-63395P ..... Adaptor
  - 26 ..... O-63547 ..... 3 ft. hose
  - 27 ..... O-72031010431 ... Crevice tool
  - 28 ..... O-72030010431 ... Upholstery tool
  - 29 ..... DG-63536A ..... Couplings
  - 30 ..... DG-63396 ..... Extension wand
- DG-80071A ..... Hardware packet  
 NLA ..... 8oz - 1/2lb. dry shampoo

23



## STANDARD FASTENER and HARDWARE LISTING

- 9 ..... DG-63570 ..... Screw, short
- 10 ..... RG-030039015 ..... Screw, motor
- 11 ..... O-63571 ..... Screw, long