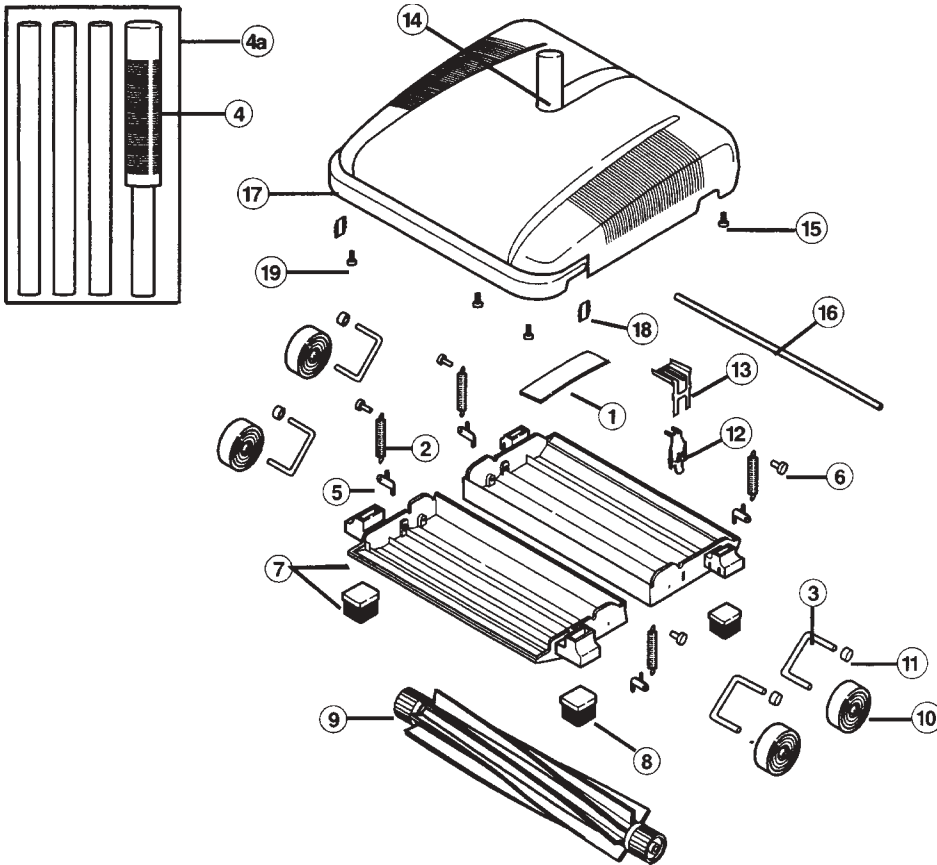


Models: PR3000/PR3000PI/S5327/5327/PR3200/3M-PR4500/PR4500BL/PR4500FR/PR6000/PR6000AU/PR6000BL/PR6000FR



PR3000/PR3000PI/S5327/5327/PR3200

- 1 O-8011401 Handle spring, black
- 2 O-8010601 Shutter spring
- 3 O-8011201 Swing arm axle
- 4 O-80116010327 ... Grip, handle, black
- 4a O-098014601 Handle set (4 sections w/grip)
- 5 O-8012401 Hook for shutter spring
- 6 O-030049001M Rivet for shutter spring
- 7 O-098013401 Dust pan w/corner brushes
- 8 O-8011301 Corner brush
- 9 O-30001 Rotorblade
- 10 O-8014801 Wheel
- 11 O-8012001 Axle cap
- 12 O-8010901 Rotorblade holder
- 13 O-8012202 Spring bracket
- 14 O-8012501 Joint (handle connector stud)
- 15 O-030044701M Screws, #6 x 3/8" (100 pack)
- 16 O-8010401 Stabilizer bar
- 17 O-80116010327 ... Bumper
- 18 O-8012301 Bumper band stopper
- 19 O-030049201M Screw, #6 x 7/16" (100 pack)

3M-PR4500/PR4500BL/PR4500FR

- 1 O-80116010327 ... Grip, handle, black
- 1a O-098014601 Complete handle assembly - 6320
- 4 O-80044010327 ... Dust bin assembly - 4534
- 5 NLA Rotorblade assembly - 4560
- 6 O-8005001 Wheel for 4564
- 7 O-8005601 Axle for 4564

3M-PR6000/PR6000AU/PR6000BL/PR6000FR

- 1 O-80116010327 ... Grip, handle, black
- 1a O-098014601 Complete handle assembly, friction fit - 6320
- 2 NLA Dust bin assembly - 6334
- 3 NLA Rotorblade assembly - 6360
- 4 O-8012001 Axle cap for 6365, 6366, 6367
- 5 O-8015701 Swing arm axle for 6366, 6367
- 6 O-8014801 Large wheel for 6366
- 7 O-8017601 Small wheel for 6367, 6368
- 8 O-8016801 CS stoppr buckle ring for 6368
- 9 O-8011201 Swing arm axle for 6368