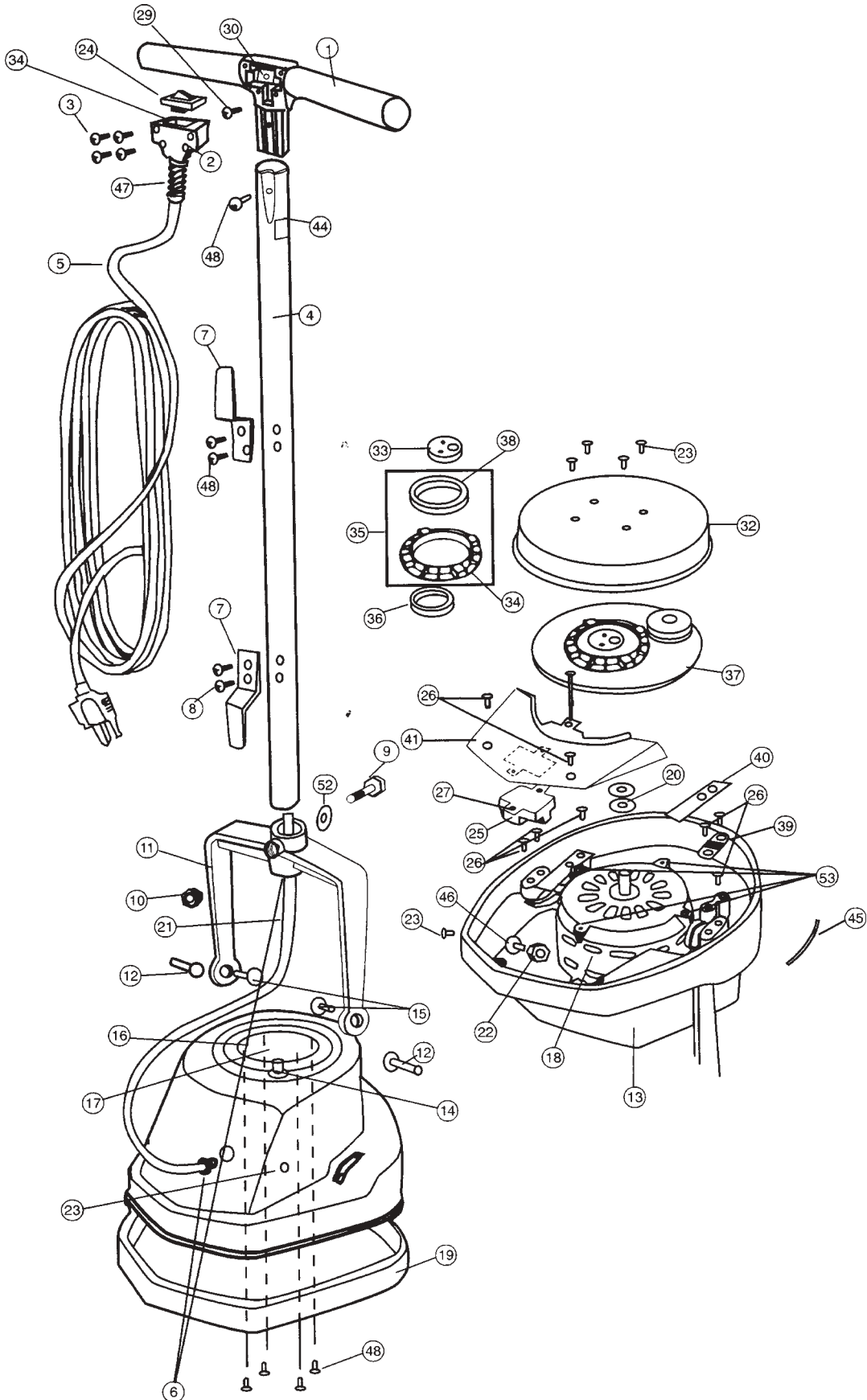


Models: ORB550MC/ORB550MD



Models: ORB550MC/ORB550MD

- 1 O-53140010327 ... T-handle, black (ORB550MC)
- O-5314001438 T-handle, blue (ORB550MD)
- 2 O-53258010327 ... Cover switch commercial
- 4 O-5314102 Tube
- 5 O-5314601327 Power cord, black 30'
- 6 O-030052001 Strain relief
- 7 O-5314701 Cord hooks
- 11 O-5314801 Yoke
- 12 O-030052901 Handle pin
- 13 O-5314902 Main body housing
- 14 O-5315001451 Reset button, red
- 15 O-5323701 Delrin bushing
- 16 O-5315101 Grill (motor cover)
- 17 O-5323901 Label, round
- 18 O-095315201 Motor kit
- 19 O-5315401438 Bumper, blue (ORB550MD)
- O-5315401451 Bumper, red (ORB550MC)
- 21 O-5316901 Pigtail
- 24 O-5315601 Switch rocker
- 25 O-5315701 Relay
- 32 O-53159010000 ... Bottom pan
- 33 O-5316001 Plug bearing
- 34 O-5316201 Bearing retainer
- 35 O-095326651 Retainer bearing & ball bearing assembly
- 36 O-5316301 Spacer
- 37 O-5316401 Flywheel
- 38 O-5316101 Bearing
- 39 O-5316501 Pillow block (yoke pin holder)
- 40 O-5316601 Spring
- 41 O-5316701 Plate cover
- 44 O-5317201 Warning label
- 45 O-030040401 Cable tie
- 47 O-030052201 Strain relief

- O-5317701 Label, Oreck (Not shown)

STANDARD FASTENER and HARDWARE LISTING

- 3 NLA Screw - cover switch, #6 x 3/4 black
- 8 O-030045001M Screw -cord wraps 10 x 1/2 SM SLT pan
- 9 BLA Bolt - handle 1/4 x 20 x 1 7/8
- 10 O-030052601M Nut - handle 1/4 x 20 lock
- 20 NLA Washer - motor spacer, flat 3/8" ID
- 22 O-030053301M Nuts (secure ground wire), #8
- 23 NLA Screw #8 x 32 x 1/2 fillister
- 26 O-030053501M Screw #10 x 24 x 7/16, patch
- 27 O-030053601M Plastic rivet nylon
- 29 NLA Ground screw, #8 x 1/4 x 32
- 30 NLA Brass insert
- 34 O-030044401M Wire nut
- 38 O-030053701M Flat head cap screw - allen socket 3/4 x 20 x 3/4
- 46 NLA Nut with external tooth washer (ground wire)
- 48 NLA Screw - 6 x 32 x 5/16" grill
- 52 NLA Washer, 1/4" flat
- 53 NLA Bolt, motor