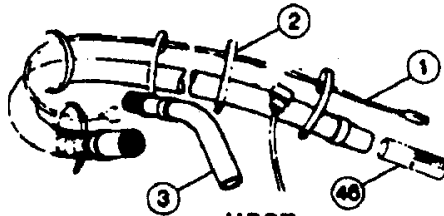
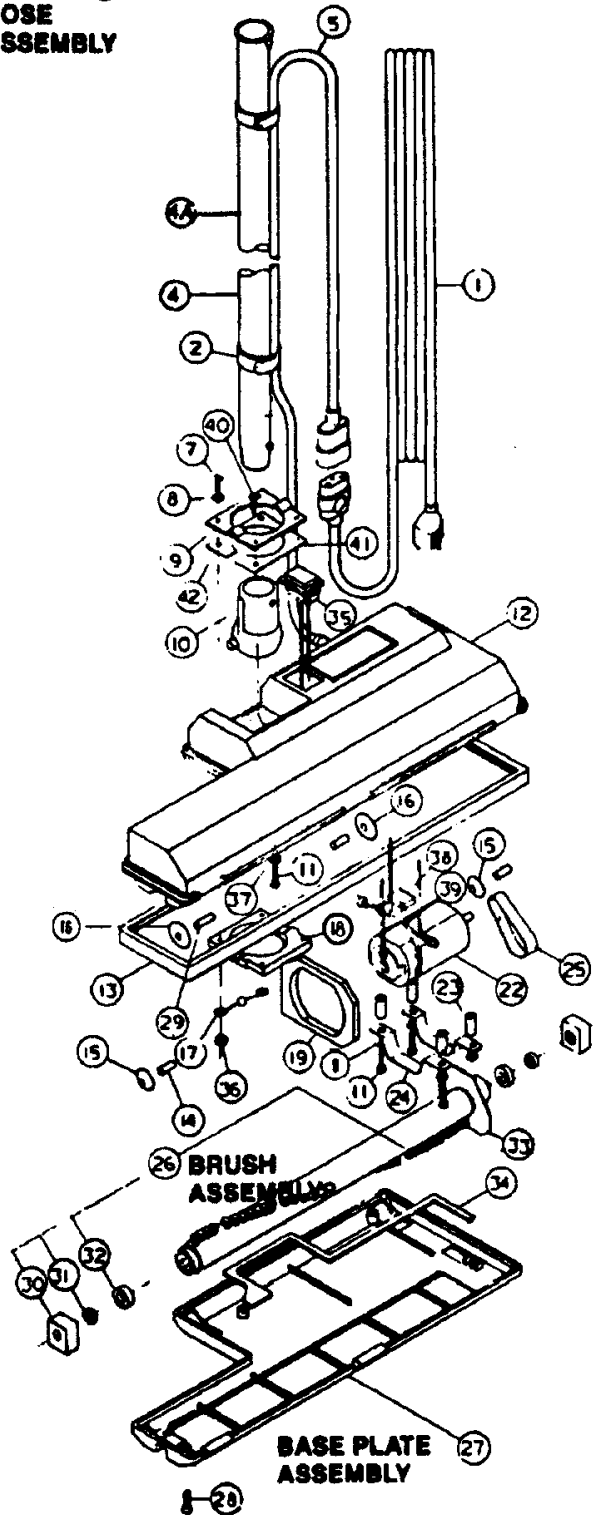


Models: CAP-175C/XL-5901

- O-CAP175C..... Power Nozzle Complete
- 1..... O-5758..... Hose Cord, 12", new style
- 2..... O-5095..... Cord Retainer Straps
- 3..... O-5313..... Curved Elbow, w/ button
- 4..... E-37737..... Lower Wand
- 4A..... O-5307..... Upper Wand
- 5..... O-6606..... Wand Cord, wires into power nozzle
- 7..... O-9326..... Clamp Screw
- 8..... O-9295..... Lock Washer
- 9..... O-6711..... Upper Clamp
- 10..... O-7155..... Ball Knuckle
- 11..... O-5001..... Retainer Screw, bumper
- 12..... O-3741S..... Main Housing, w/ switch hole
- 12..... O-7278..... Main Housing, w/o switch hole
- 13..... O-7146..... Bumper
- 14..... O-7156..... Front Wheel Shaft
- 15..... O-7150..... Front Wheel
- 16..... O-7159..... Rear Wheel
- 17..... O-5010..... Spring, wand retention
- 18..... O-6712..... Lower Clamp
- 19..... O-6346..... Gasket
- 22..... O-7558..... Motor Assembly
- 23..... O-6343..... Nylon Spacer
- 24..... O-7144..... Motor Clamp
- 25..... O-6310..... Belt
- 26..... O-6330..... Brush Roll Assy, complete
- 27..... O-5006..... Bottom Plate Assembly
- 28..... O-5968..... Screw, bottom plate
- 29..... O-7158..... Shaft, rear wheel
- 30..... O-6903..... Bearing Block
- 31..... O-6666..... Dust Seal, felt
- 32..... O-6637..... Ball Bearing
- 33..... O-7149..... Fiber Seal
- 34..... O-6341..... Gasket, bottom plate
- 35..... O-476064..... Step-On Switch kit, on/off
- 36..... O-4652..... Nut, w/ lock washer
- 37..... O-3440..... Washer
- 38..... O-5185..... Capacitor
- 40..... O-5187..... Screw, ball clamp
- 41..... O-5203A..... Fiber Spacer, small
- 42..... O-5203B..... Fiber Spacer, large
- 46..... O-9665..... Connector Swivel, M/E, PT series
- 46..... O-61741A..... Connector Swivel, M/E, XL80
- O-5985T..... Hose Assembly
- O-5306..... Upper Slotted Wand, w/ button, connects P/N to upright machines BF-2175 and Bissell 5900



HOSE ASSEMBLY



BRUSH ASSEMBLY

BASE PLATE ASSEMBLY