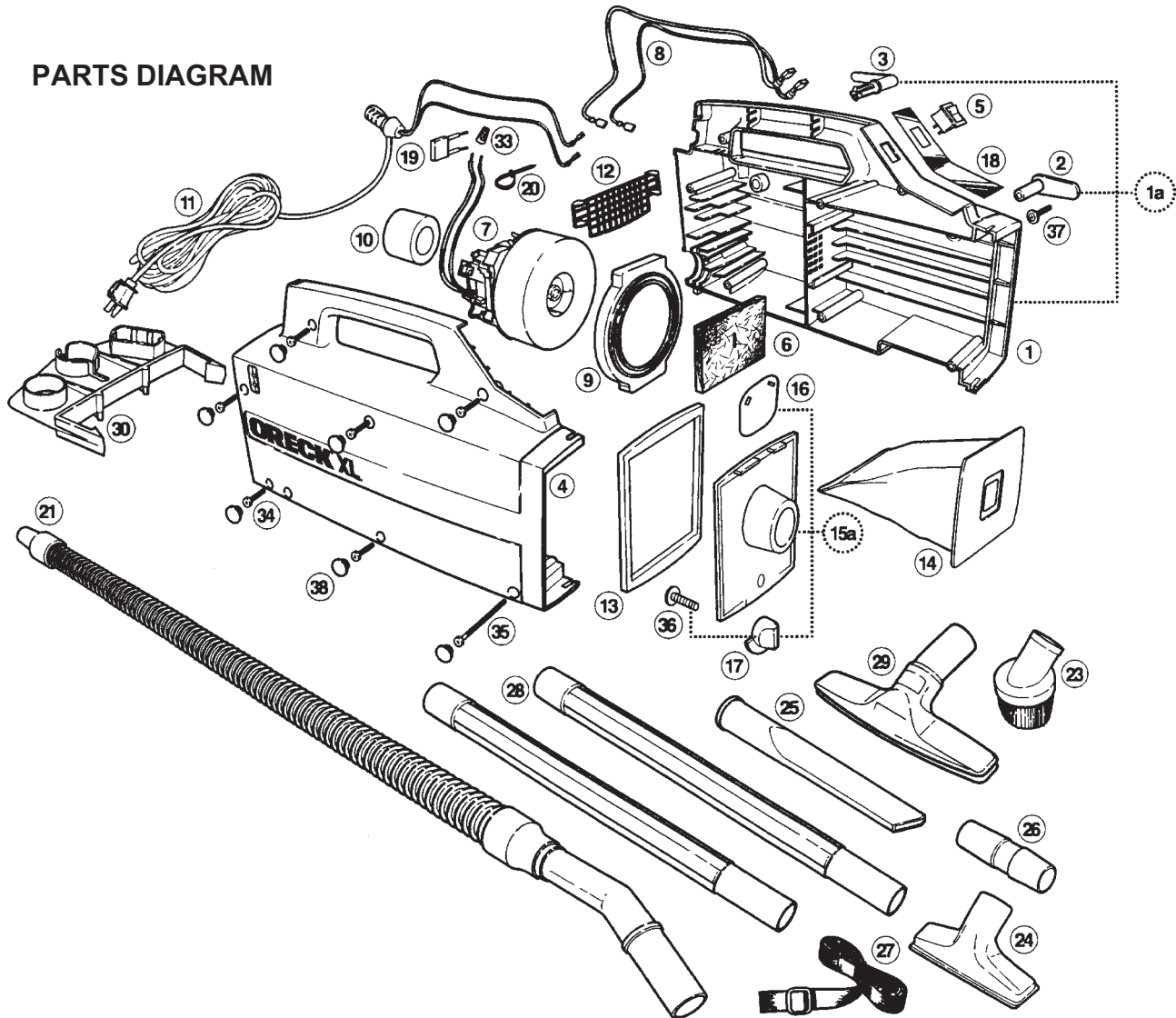
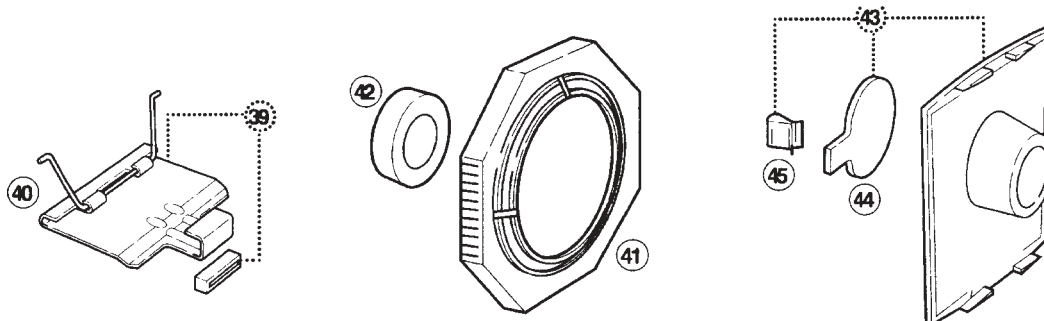


Models:BB870ED/BB870ZD

PARTS DIAGRAM



OLD STYLE COMPONENTS



- 39 O-097201601 Clamp assembly w/clamp cap
- 40 O-7207001 Clamp
- 41 O-0107454 Motor seat front
- 42 O-0107454 Motor seat back
- 43 NLA Housing door assembly, w/rubber flapper & clamp, white
- 43 O-097204002 Housing door assembly, w/rubber flapper & clamp, black
- 44 O-7204101 Rubber flapper
- 45 O-030044501 Rubber flapper metal clamp

Models:BB870ED/BB870ZD

MODEL BB870ED/BB870ZD

1a	O-097202303	Left housing w/cord wrap & cord dump, assembly, black
2	O-72024010327	Cord wrap
3	O-56948010327	Cord dump
4	O-097201303	Right housing w/silver hot stamp, black
5	O-7207401	Switch, 2 position, black
6	O-7200501	Micro filter
7	NLA	Motor kit w/8" lead
8	O-7207701	Jumper lead, switch
8	O-8206001	Jumper lead, motor
9	O-72123010327	Motor mount, large
10	O-7205801	Motor mount, small
11	O-7207501	Power cord w/terminals, black (BB870ED)
11	O-7211701	Power cord w/terminals, black (BB870ZD)
12	O-75050010327	Exhaust filter screen
13	O-7201702	Bag housing gasket
14	O-MV24	Filter bag, 12 pack
15a	O-097210002	Complete housing door assembly, black
16	O-7208801	Dust flap, mylar
17	O-72090010327	Housing door knob, black
18	O-7205401	Switch label, silver
19	NLA	Suppressor
20	O-030040401	Cable tie