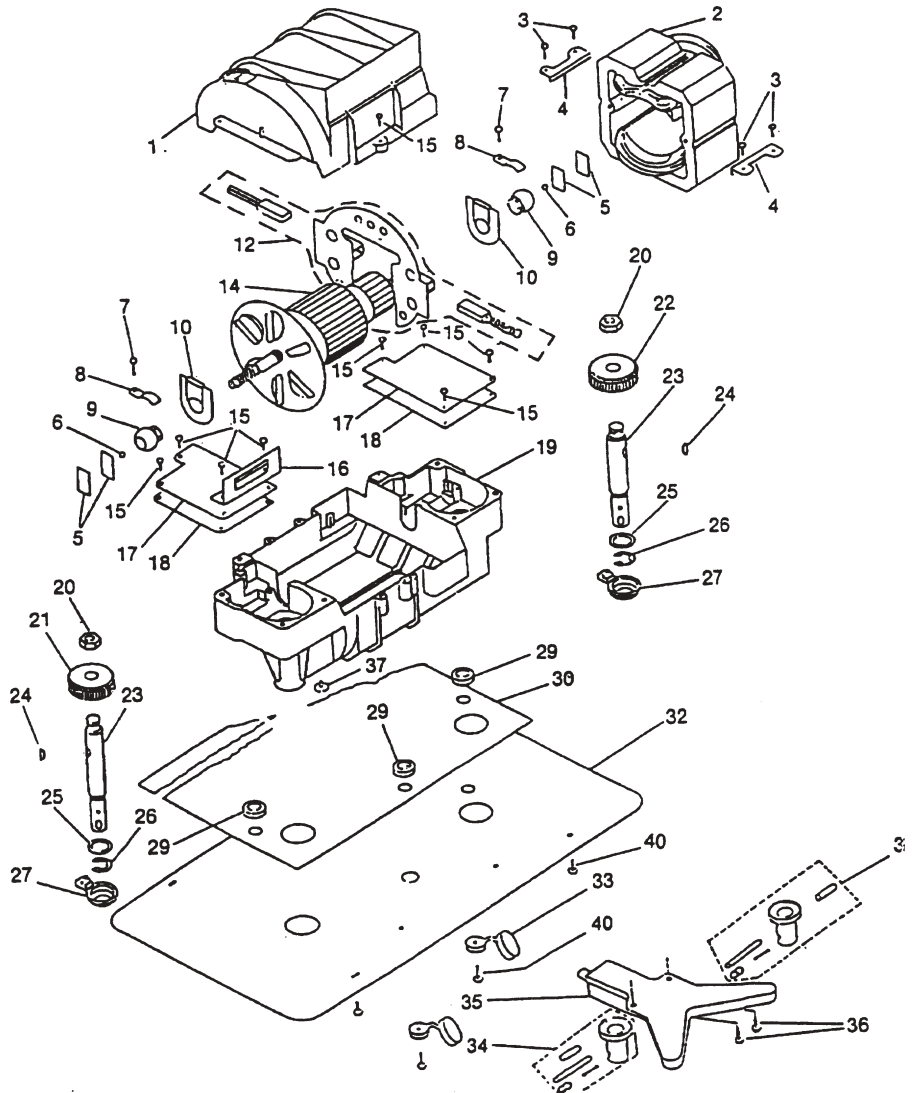


Model: P-600

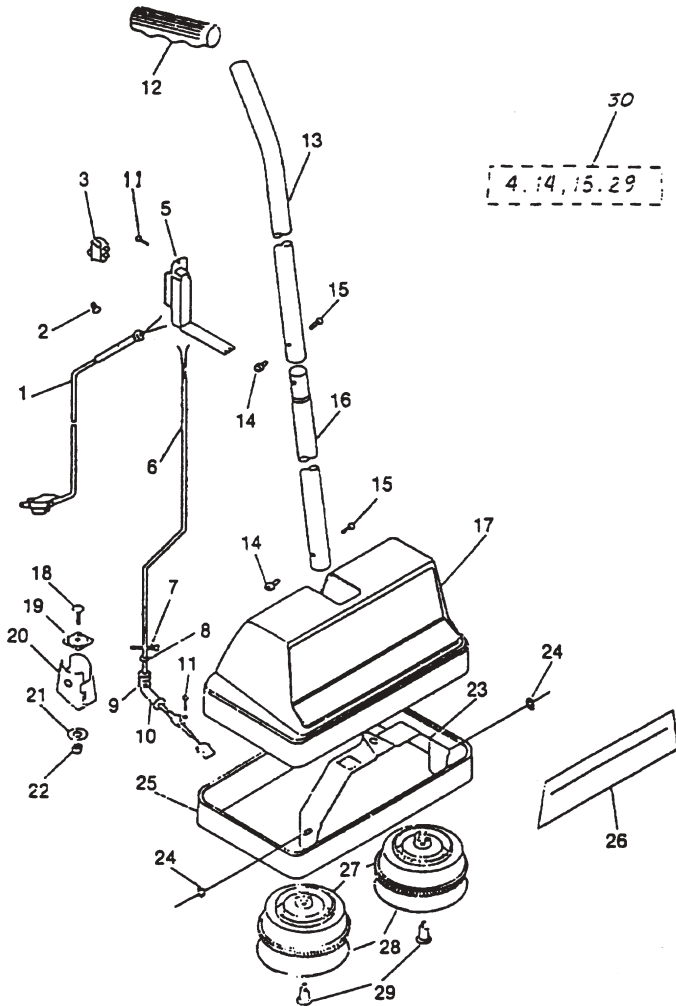
## INTERNAL MACHINE PARTS

- 1 ..... N/A ..... Motor cover
- 2 ..... TC-280265 ..... field, 1 speed
- 3 ..... TC-011489 ..... Screw, self tapping
- 4 ..... TC-052862 ..... Field support (post)
- 4a ..... TC-052864 ..... Field support (ant)
- 5 ..... N/A ..... Push plate
- 5a ..... N/A ..... Push plate
- 6 ..... N/A ..... Thrust ball
- 7 ..... TC-011490 ..... Screw, self tapping
- 8 ..... N/A ..... Bearing clamp
- 9 ..... TC-060026 ..... Armature bearing
- 10 ..... N/A ..... Bearing armature seal
- 12 ..... TC-280324 ..... Brush holder assembly
- 14 ..... N/A ..... Armature
- 16 ..... N/A ..... Connector support
- 17 ..... N/A ..... Gear case cover
- 18 ..... N/A ..... Cord gasket
- 19 ..... TC-230330 ..... Motor frame assembly
- 20 ..... TC-0200162 ..... Hex nut
- 21 ..... TC-420012 ..... Bronze gear, left
- 22 ..... TC-420011 ..... Bronze gear, right
- 23 ..... TC-2510246 ..... Spindle
- 24 ..... TC-250640 ..... Spindle key
- 25 ..... N/A ..... Washer
- 26 ..... TC-040238 ..... Spindle retainer
- 27 ..... N/A ..... Frame insulator
- 29 ..... N/A ..... Motor Support
- 30 ..... TC-130758 ..... Base insulator
- TC-052714 ..... Yoke support
- 32 ..... TC-052728 ..... Base plate
- 33 ..... N/A ..... Screw insulator
- 34 ..... TC-461452 ..... Spindle cap insulator pkg
- 37 ..... N/A ..... Frame spacer
- TC-240046 ..... Yoke spring, left
- TC-240204 ..... Yoke spring, right
- TC-030055 ..... Rivet tub
- 40 ..... TC-0114926 ..... Screw



Model: P-600

## EXTERNAL MACHINE PARTS



- |    |       |             |       |                      |
|----|-------|-------------|-------|----------------------|
| 1  | ..... | N/A         | ..... | Line cord            |
| 2  | ..... | TC-1000421  | ..... | Cable connector      |
| 3  | ..... | TC-10069    | ..... | Switch, 1 speed      |
| 4  | ..... | TC-081662   | ..... | Polyethylene bag     |
| 5  | ..... | N/A         | ..... | Switch box, 1 speed  |
| 6  | ..... | TC-280323   | ..... | Motor cable, 1 speed |
| 7  | ..... | N/A         | ..... | Pressure holder      |
| 8  | ..... | N/A         | ..... | Retainer washer      |
| 9  | ..... | N/A         | ..... | Relief strainer      |
| 10 | ..... | N/A         | ..... | Stress relief        |
| 11 | ..... | N/A         | ..... | Screw                |
| 12 | ..... | N/A         | ..... | Handle               |
| 13 | ..... | N/A         | ..... | Upper handle tube    |
| 14 | ..... | TC-230309   | ..... | Lower handle tube    |
| 15 | ..... | TC-13103048 | ..... | Cover, burgandy      |
| 16 | ..... | N/A         | ..... | Special screw        |
| 17 | ..... | TC-0523795  | ..... | Plate socket         |
| 18 | ..... | TC-052866   | ..... | Socket, blue         |
| 19 | ..... | N/A         | ..... | Washer               |
| 20 | ..... | TC-0200923  | ..... | Security nut         |
| 21 | ..... | N/A         | ..... | Yoke                 |
| 22 | ..... | N/A         | ..... | Yoke nut             |
| 23 | ..... | TC-120049   | ..... | Furniture guard      |
| 24 | ..... | TC-171434   | ..... | Head label           |
| 25 | ..... | RG-920      | ..... | Scrubbing brush      |
| 26 | ..... | MP-12       | ..... | Felt buffing pad     |
| 27 | ..... | TC-450165   | ..... | Hardware package     |
| 28 | ..... |             | ..... |                      |
| 29 | ..... |             | ..... |                      |
| 30 | ..... |             | ..... |                      |