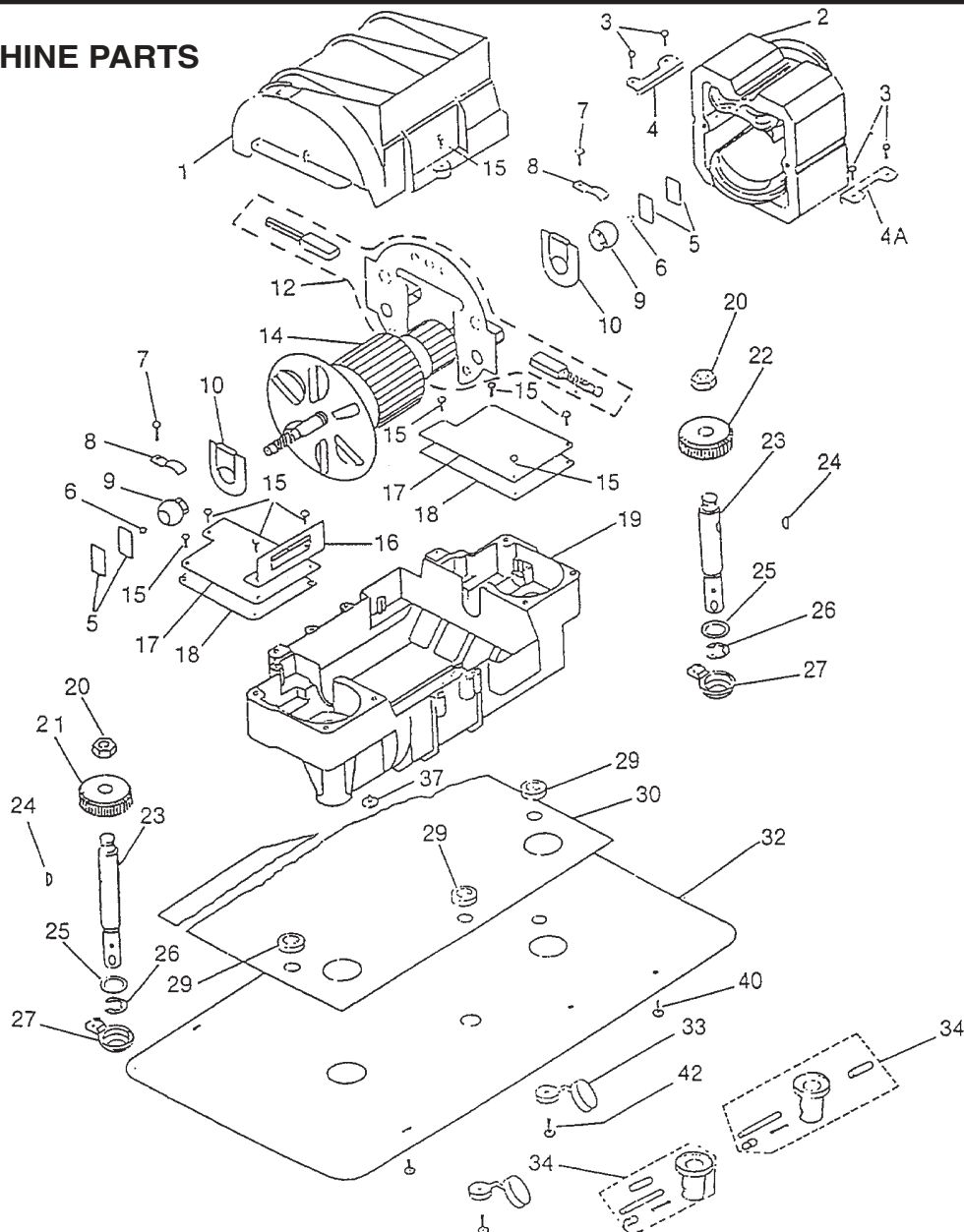


Model: P-1500

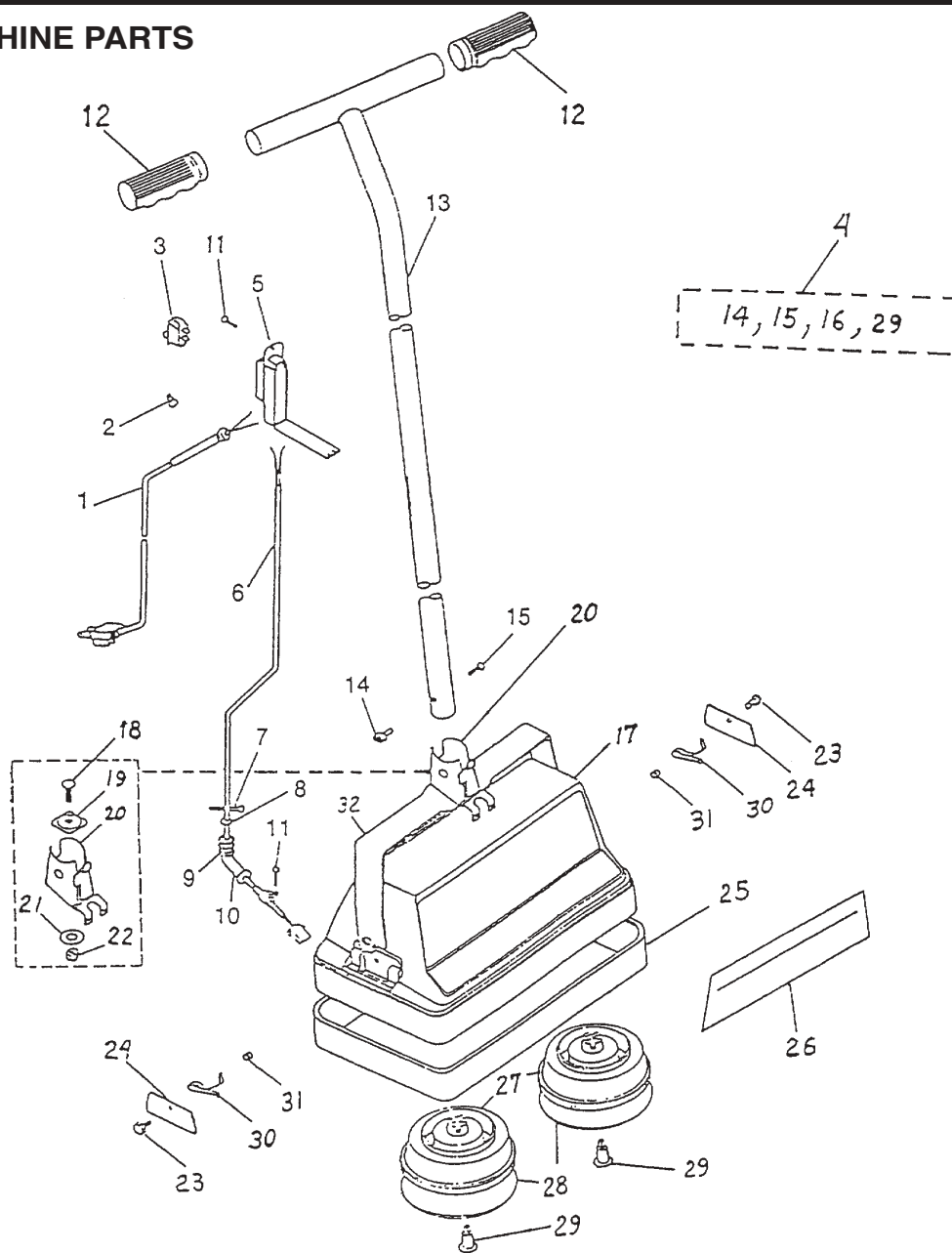
INTERNAL MACHINE PARTS



- | | | | | | |
|----|-----------|-----------------------|----|------------|---------------------------|
| 1 | N/A | Motor Cover | 20 | TC-0200162 | Hex Nut |
| 2 | TC-280253 | Field, 1 speed | 21 | TC-420012 | Bronze Gear, left |
| 3 | TC-011489 | Screw, self-tapping | 22 | TC-420011 | Bronze Gear, right |
| 4 | TC-052864 | Field Support, (post) | 23 | TC-2510246 | Spindle |
| 4A | TC-052862 | Field Support, (ant) | 24 | TC-250640 | Spindle Key |
| 5 | N/A | Push Plate, 3 req. | 25 | N/A | Washer |
| 5A | N/A | Push Plate, 3 req. | 26 | TC-040238 | Spindle Retainer |
| 6 | N/A | Thrust Ball, 2 req. | 27 | TC-131038 | Frame Insulator |
| 7 | TC-011490 | Screw, self-tapping | 29 | N/A | Motor Support |
| 8 | N/A | Bearing Clamp | 30 | N/A | Base Insulator |
| 9 | TC-060026 | Armature Bearing | 32 | TC-052727 | Base Plate |
| 10 | N/A | Bearing Armature Seal | 33 | N/A | Screw Insulator |
| 12 | TC-280324 | Brush Holder Assy | 34 | TC-461452 | Spindle Cap Insulator Pkg |
| 14 | N/A | Armature | 36 | TC-0101543 | Screw |
| 16 | N/A | Connector Support | 37 | N/A | Frame Spacer |
| 17 | N/A | Gear Case Cover | 40 | TC-011489 | Screw |
| 18 | N/A | Cord Gasket | 42 | TC-0114926 | Screw |
| 19 | TC-230330 | Motor Frame Assy | | | |

Model: P-1500

EXTERNAL MACHINE PARTS



- | | | | | | | | | | |
|----|-------|------------|-------|------------------------|----|-------|------------|-------|------------------------------------|
| 1 | | N/A | | Line Cord | 18 | | N/A | | Special Screw |
| 2 | | TC-1000421 | | Cable Connector | 19 | | TC-0523795 | | Plate Socket |
| 3 | | TC-1100692 | | Switch, 1 speed | 20 | | N/A | | Socket |
| 4 | | TC-450165 | | Hardware Package | 21 | | TC-0404202 | | Concave Washer |
| 5 | | N/A | | Switch Box, 1 speed | 22 | | TC-0200923 | | Security Nut |
| 6 | | TC-280323 | | Motor Cable, 1 speed | 23 | | TC-010417 | | Screw |
| 7 | | TC-131039 | | Pressure Holder | 24 | | N/A | | Yoke Spring Cover |
| 8 | | N/A | | Retainer Washer | 25 | | N/A | | Furniture Guard |
| 9 | | N/A | | Relief Retainer | 26 | | TC-171585 | | Head Label |
| 10 | | N/A | | Stress Relief | 27 | | RG-920 | | Scrubbing Brush, sold per pair (R) |
| 11 | | N/A | | Screw | 28 | | MP-16 | | Scrubbing Pad, sold per pair (R) |
| 12 | | N/A | | Handle | 30 | | TC-2401446 | | Yoke Spring |
| 13 | | TC-230314 | | Upper Handle Tube Assy | 31 | | TC-05224 | | Spacer |
| 16 | | TC-081662 | | Polyethylene Bag | 32 | | N/A | | Yoke |
| 17 | | TC-060375 | | Cover | | | | | |