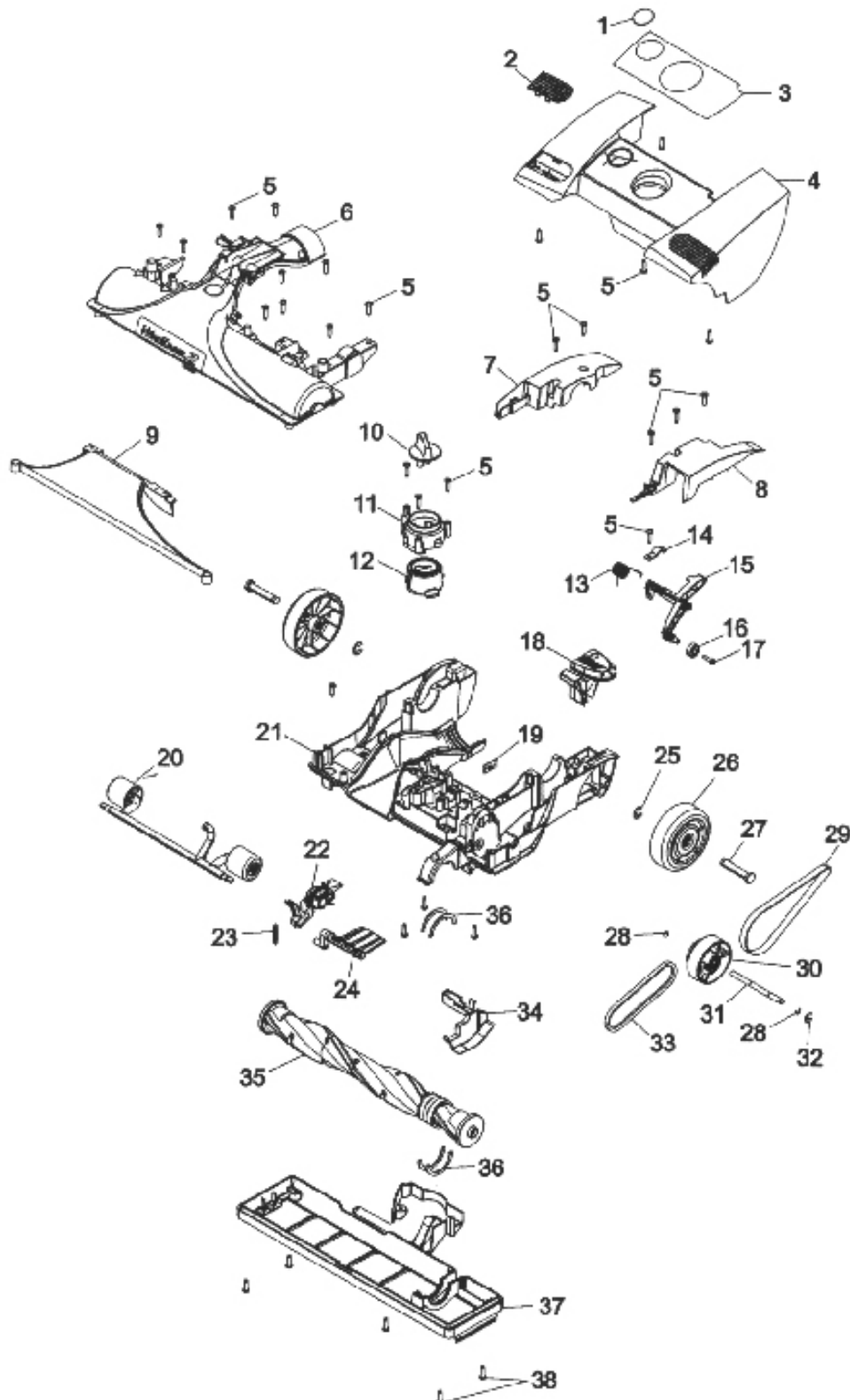


# HOOVER UPRIGHTS

Model: U8351-900

## FOOT ASSEMBLY



# HOOVER UPRIGHTS

Model: U8351-900

## FOOT ASSEMBLY

Index	Part #	Description
1	H-51661020	Medallion
2	H-91001127	Non-EDF Cover
3	H-91001169	Hood Nameplate
4	H-91001131	Hood - STD
5	H-21447242	Screw (self tapping)
6	H-92001286	Agitator HSG-CP (split)
7	H-36131139	Trunnion Cover - R-MV (split)
8	H-91001112	Trunnion Cover - L-MV (split)
9	H-91001179	Nozzle Liner - AJZ
10	H-91001134	Height Adj Knob - AHB
11	H-91001138	Height Adj Cam - AG
12	H-91001122	Cam Holder - AG
13	H-38356014	Torsion Spring
14	H-91001116	Actuator Arm Trunnion
15	H-91001136	Idler Pulley Arm - AG
16	H-91001105	Bearing
17	H-91001103	Screw (tapping)
18	H-38434026	Handle Release Lever - AG
19	H-91001165	PCB Hall Assembly
20	H-91001159	Front Axle Assembly
21	H-91001156	Main Body Assembly
22	H-42246150	Agitator HSG/Valve Arm
23	H-38331006	Spring - Turbine Act
24	H-91001142	Valve Door - AG
25	H-160017	Lock Ring
26	H-92001287	Rear Wheel with Thread
27	H-32434007	Rear Axle
28	H-91001106	Retaining Ring
29	H-91001137	Poly V-Belt
30	H-91001158	Transfer Pulley
31	H-91001110	Transfer Pulley Shaft
32	H-91001107	Retaining Ring
33	H-38528034	V-Belt
34	H-91001128	Belt Cover - AG
35	H-91001166	Agitator Assembly
36	H-38781053	Agitator Pulley Seal
37	H-91001157	Bottom Plate/Guard Assembly
38	H-01700FW	Screw

PHONE: 1-800-822-7467

FAX: 847-647-0534

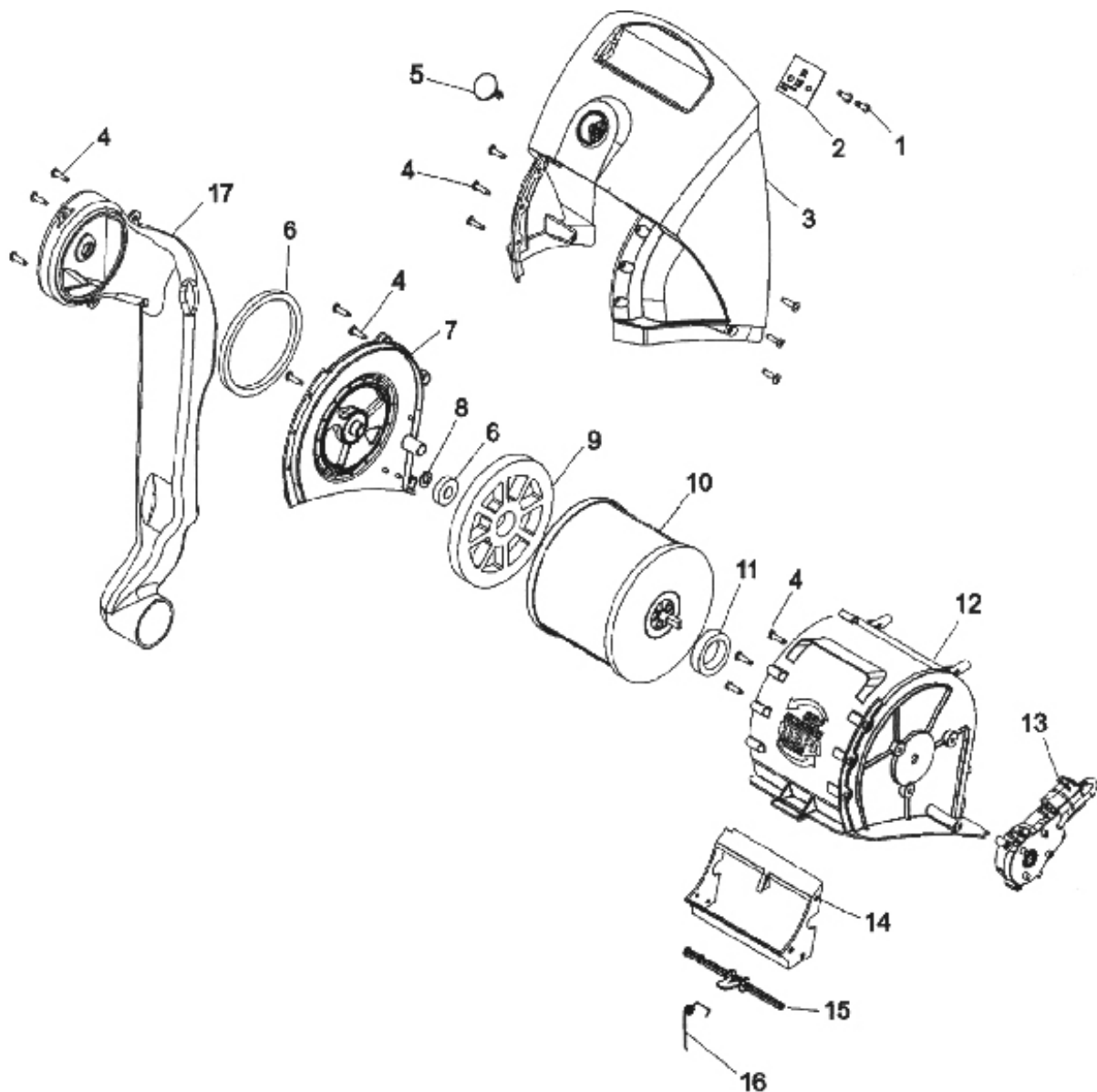
E-MAIL: [sales@hescoinc.com](mailto:sales@hescoinc.com)

WEB: [hescoinc.com](http://hescoinc.com)

# HOOVER UPRIGHTS

Model: U8351-900

## FILTER ASSEMBLY



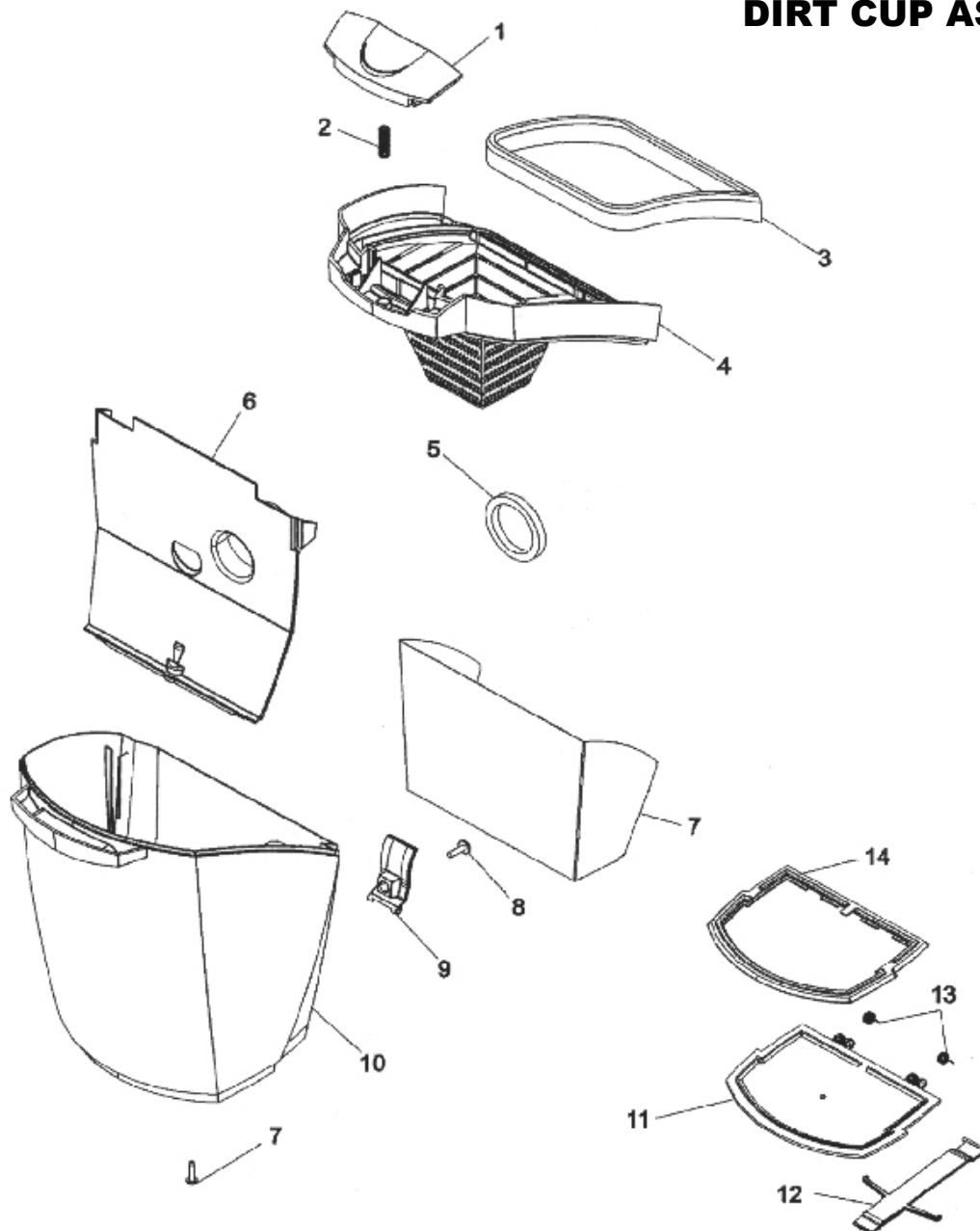
Index	Part #	Description
1	H-21447242	Screw (self-tapping)
2	H-91001163	On/Off Switch
3	H-91001130	Carry Handle
4	H-017001FW	Screw
5	H-90001353	Power Button
6	H-91001147	Gaskets
7	H-12002819	Kit, Filter U8347-51
8	H-91001171	Thrust Washer
9	H-91001172	Filter Gasket

Index	Part #	Description
10	H-12002819	Kit, Filter U8347-51
11	H-91001173	Filter Spring Gasket
12	H-91001181	Filter Housing - AKA
13	H-91001109	Primary Filter Trans
14	H-91001143	Filter Partition
15	H-91001155	Filter Flicker
16	H-91001175	Torsion Spring - Flicker
17	H-91001140	Clean Air Duct

# HOOVER UPRIGHTS

Model: U8351-900

## DIRT CUP ASSEMBLY



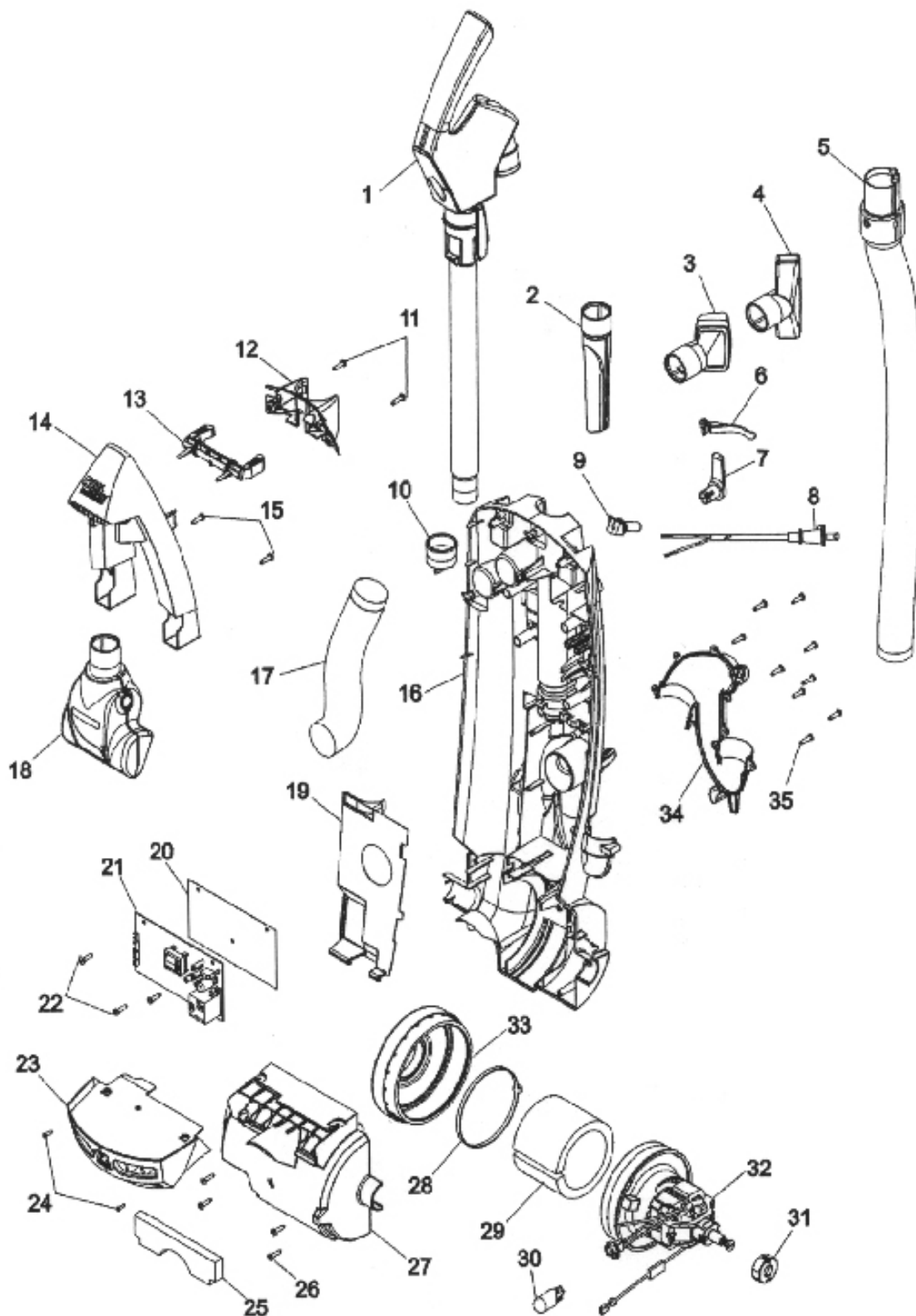
Index	Part #	Description
1	H-91001115	Dirt Cup Latch
2	H-90001037	Spring
3	H-92001288	Gasket Lid (dirt cup)
4	H-91001182	Dirt Cup Lid - AJZ
5	H-91001147	Gaskets
6	H-91001144	Dirt Cup Partition
7	H-92001289	Insert - Dirt Cup

Index	Part #	Description
8	H-21447242	Screw (self-tapping)
9	H-91001135	Dirt Cup DR ACT - AHB
10	H-91001183	Dirt Cup BZ X Reach
11	H-91001130	Dirt Cup Door - M
12	H-91001114	Dirt Cup DR Latch - AG
13	H-91001176	Torsion Spring
14	H-91001149	Dirt Cup DR Gasket

# HOOVER UPRIGHTS

Model: U8351-900

## UPPER HOUSING ASSEMBLY



PHONE: 1-800-822-7467

FAX: 847-647-0534

E-MAIL: [sales@hescoinc.com](mailto:sales@hescoinc.com)

WEB: [hescoinc.com](http://hescoinc.com)

# HOOVER UPRIGHTS

Model: U8351-900

## UPPER HOUSING ASSEMBLY

Index	Part #	Description
1	H-91001184	Upper Handle/Wand Assy (red)
2	H-92001194	Crevice Tool - AG
3	H-92001195	Dusting Brush Assembly - AG
4	H-92001196	Furniture Nozzle - AG
5	H-91001160	Hose Assembly
5	H-43434275	Hose Assembly (bonus)
6	H-91001117	Hose Clip
7	H-91001153	Cord Wrap
8	H-46383334	Cord (35')
9	H-36215028	Cord Protector - WTBGL
10	H-92001290	Wand Retainer - AG
11	H-21447242	Screw (self-tapping)
12	H-91001121	Release Latch/Wand
13	H-91001139	Wand Release Latch - AHB
14	H-91001154	Upper Handle - MV
15	H-21447242	Screw (self-tapping)
16	H-92001291	Upper Housing - MV
17	H-91001177	Lower Hose
18	H-91001185	Turbine Hand Tool
18	H-59156137	Bare Floor Brush
19	H-91001113	Wire Cover
20	H-91001123	Insulator
21	H-91001164	Power PCB Board
22	H-21447242	Screw (self-tapping)
23	H-91001150	Lens, dirt
24	H-21447228	Screw (self-tapping)
25	H-38769032	Final Filter
26	H-21447242	Screw (self-tapping)
27	H-91001125	Motor Cover - MV
28	H-91001178	Lead Wire Tie
29	H-91001152	Foam Muffler
30	H-27313107	Bulb
31	H-36322030	Motor Mount (small)
32	H-91001108	Motor Assembly
33	H-91001148	Motor Seal - AG
34	H-91001141	Dirt Duct Cover
35	H-21447242	Screw (self-tapping)
36	H-91001162	Wire Harness
37	N/A	Owners Manual

**PHONE:** 1-800-822-7467

**FAX:** 847-647-0534

**E-MAIL:** [sales@hescoinc.com](mailto:sales@hescoinc.com)

**WEB:** [hescoinc.com](http://hescoinc.com)