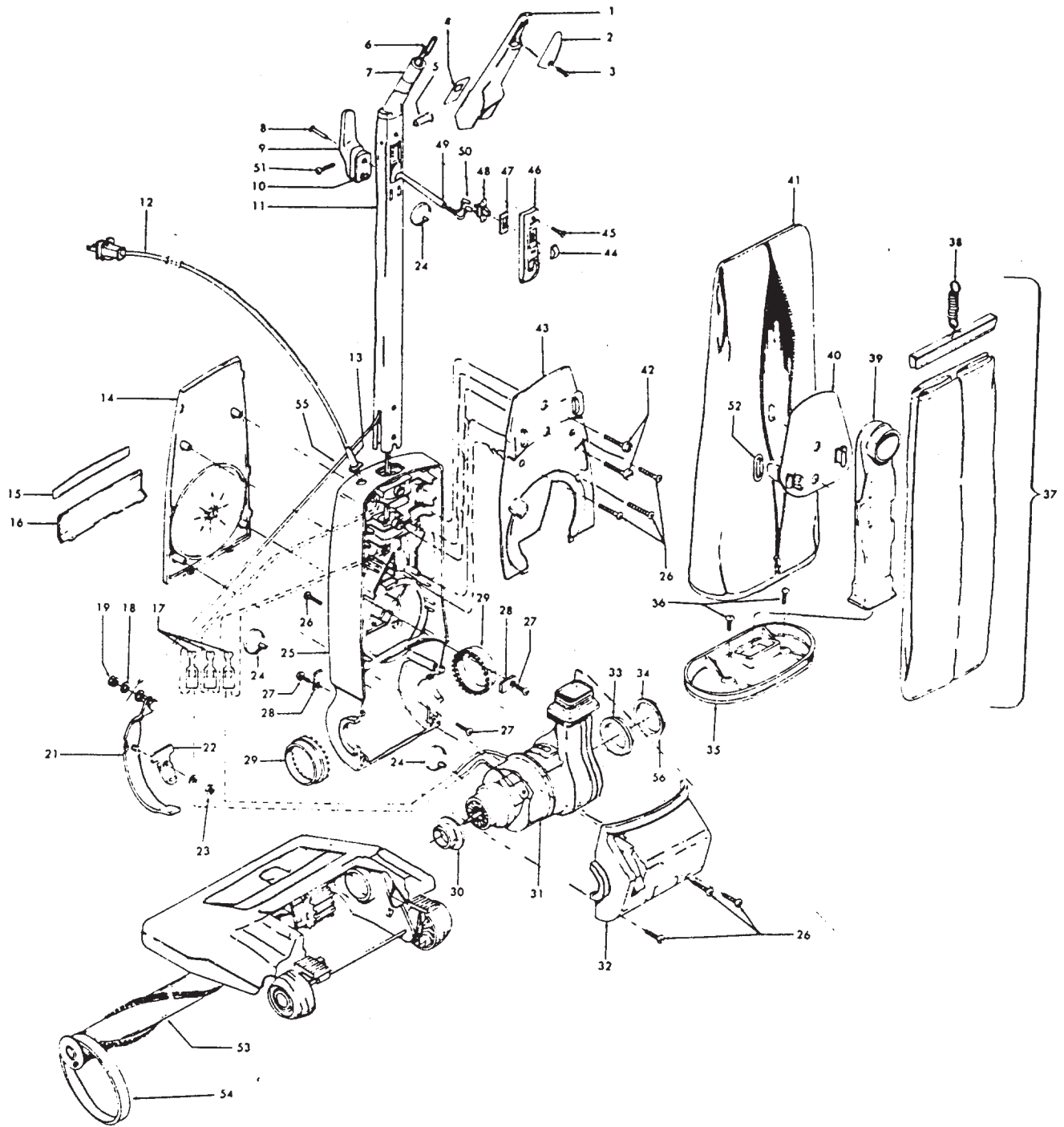
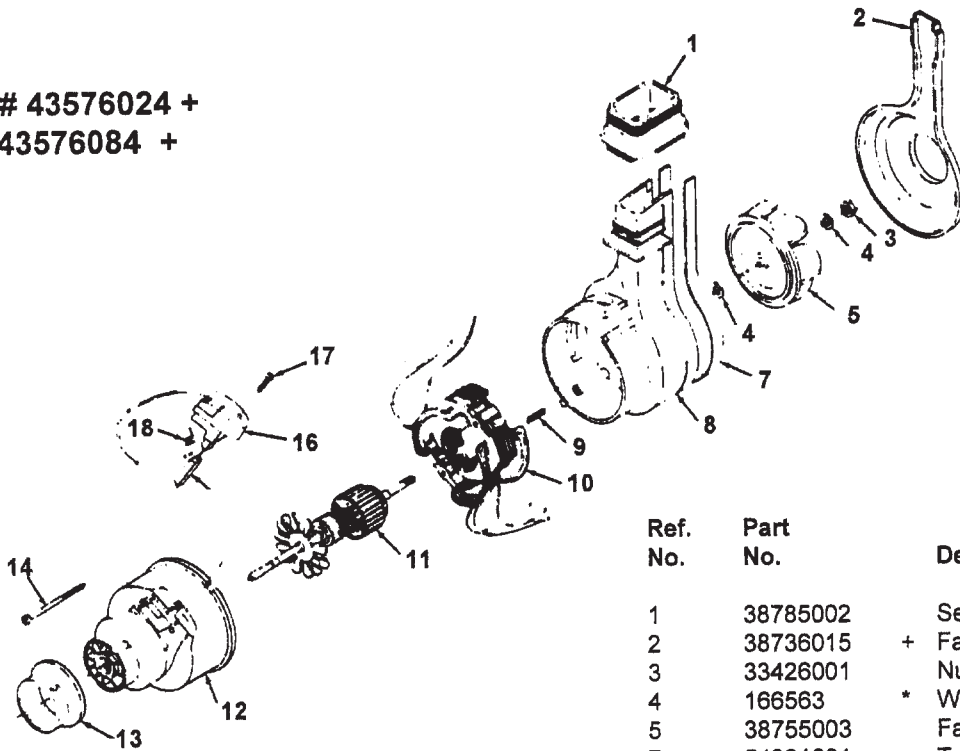


Front Housing



Ref. No.	Part No.	Description	Ref. No.	Part No.	Description
1	48663019	+ Handle - LY	30	32162003	Motor Mount - L.H.
2	160092AG	Handle Cap	31	43576084	+ Motor
3	21575001	Screw	32	37195072	Motor Cover - TF
4	51638024	Nameplate	33	32175011	Motor Mount - R.H.
5	32258010	Nut	34	32155006	Mount Ring
6	43211010	Cable	35	36425008	Jacket Bottom
7	36957006	Handle Support	36	21447012	* Screw
8	21256168	+* Rivet	37	43667037	Inner Cloth Bag
9	39441016	Cord Clip - AG	38	41128016	Bag Spring/Clip Assem.
10	36171017	+ Adapter	39	38657010	Top Fill Tube
11	48643090	+ Handle Tube - AX	40	36425012	Jacket Support
12	46383193	Attach. Cord	41	43677053	+ Cloth Bag - HP
13	36215012	Cord Protector - HP	42	21563001	* Screw
14	37257108	+ Front Cover - HP	43	37257120	+ Rear Cover - VN
15	51664004	Nameplate	44	38421012	Switch Button - AG
16	37246116	Panel - AAK	45	21465314	* Screw
17	12227	Insulated Terminal	46	37258068	Switch Cover - LY
18	160059	+* Washer	47	34138006	* Pad
19	21641623	* Nut	48	281770KD	Switch
21	43143096	Actuator Bar - VN	49	46313068	+ Lead Wire
22	38511027	Pivot Bearing	50	27666702	* Terminal
23	33423007	Nut	51	18805	* Screw
24	27479307	* Wire Tie	52	34337001	+ Gasket
25	42253126	+ Front Housing - VN	53	48414009	Agitator
26	21447020	* Screw	54	38528008	Belt Agitator
27	21447003	* Screw	55	31718005	+ Cable Tube
28	34124011	+ Retainer	56	32156007	Seal Ring
29	38511002	Bearing			

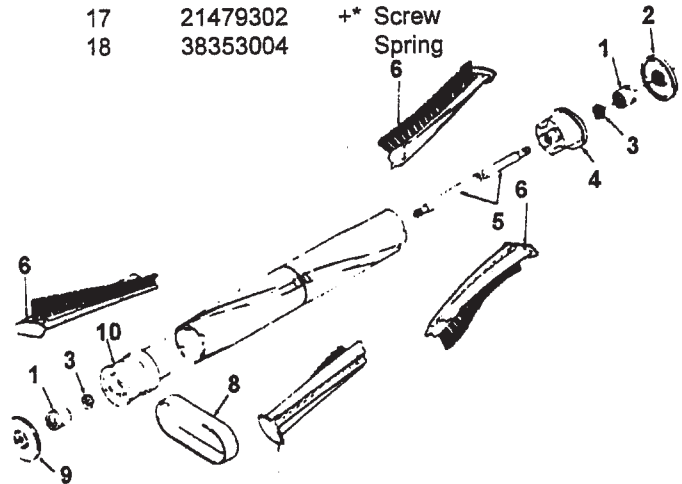
Motor # 43576024 +
Use # 43576084 +

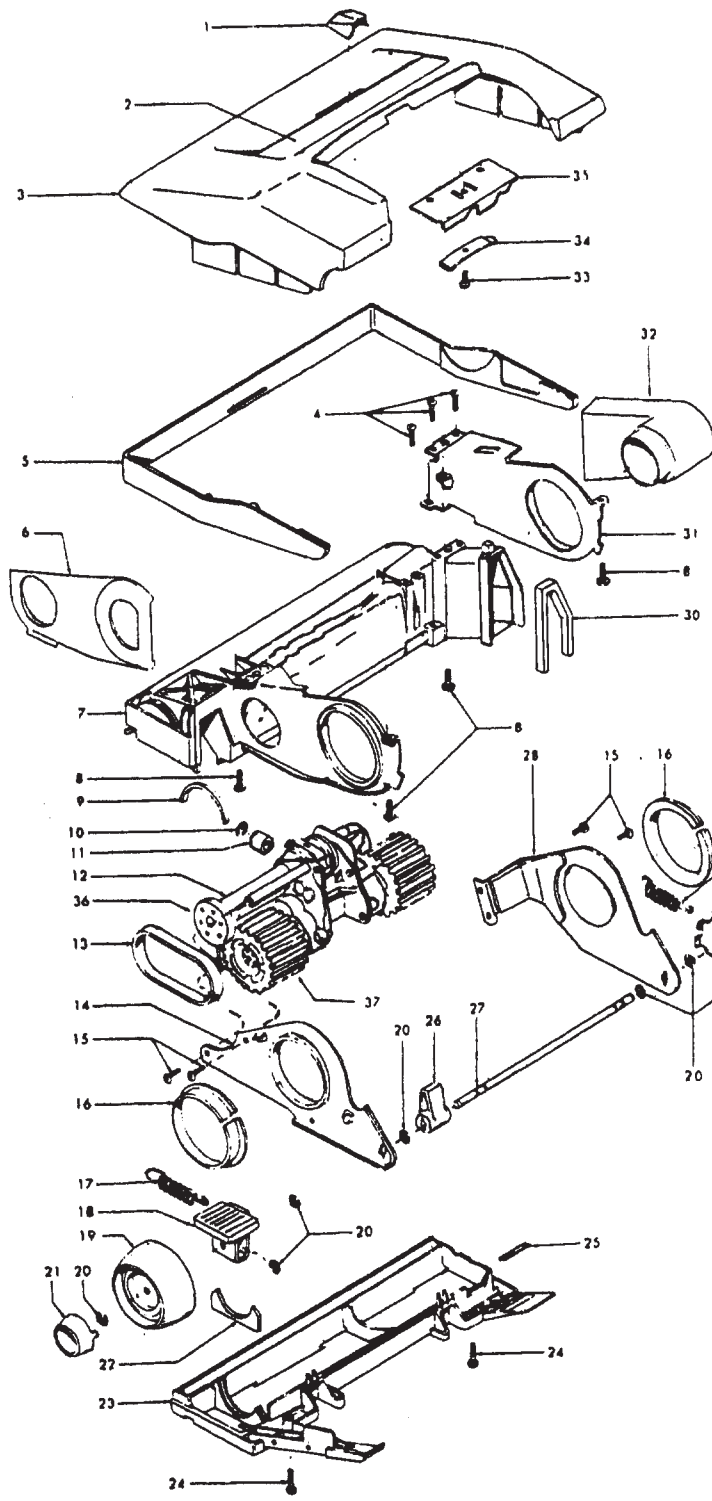


Ref. No.	Part No.	Description
1	38785002	Seal
2	38736015	+ Fan Cover
3	33426001	Nut
4	166563	* Washer
5	38755003	Fan
7	54821001	Tape
8	43588001	Fan Chamber
9	12854	Spring
10	45312032	Field Coil
11	44765065	Armature
12	42193004	Housing
13	32162003	Motor Mount - LH
14	21479573	Screw
15	47315010	Carbon Brush
16	47318008	Brush Carrier
17	21479302	+* Screw
18	38353004	Spring

Agitator # 48414009 (4B)

Ref. No.	Part No.	Description
1	43267002	Bearing
2	41435030	Thread Guard
3	21347003	* Washer
4	36422001	End
5	160070	Shaft
6	48445019	Agitator Brush
8	38528008	Agitator Belt
9	41435025	Thread Guard
10	38537002	End Pulley



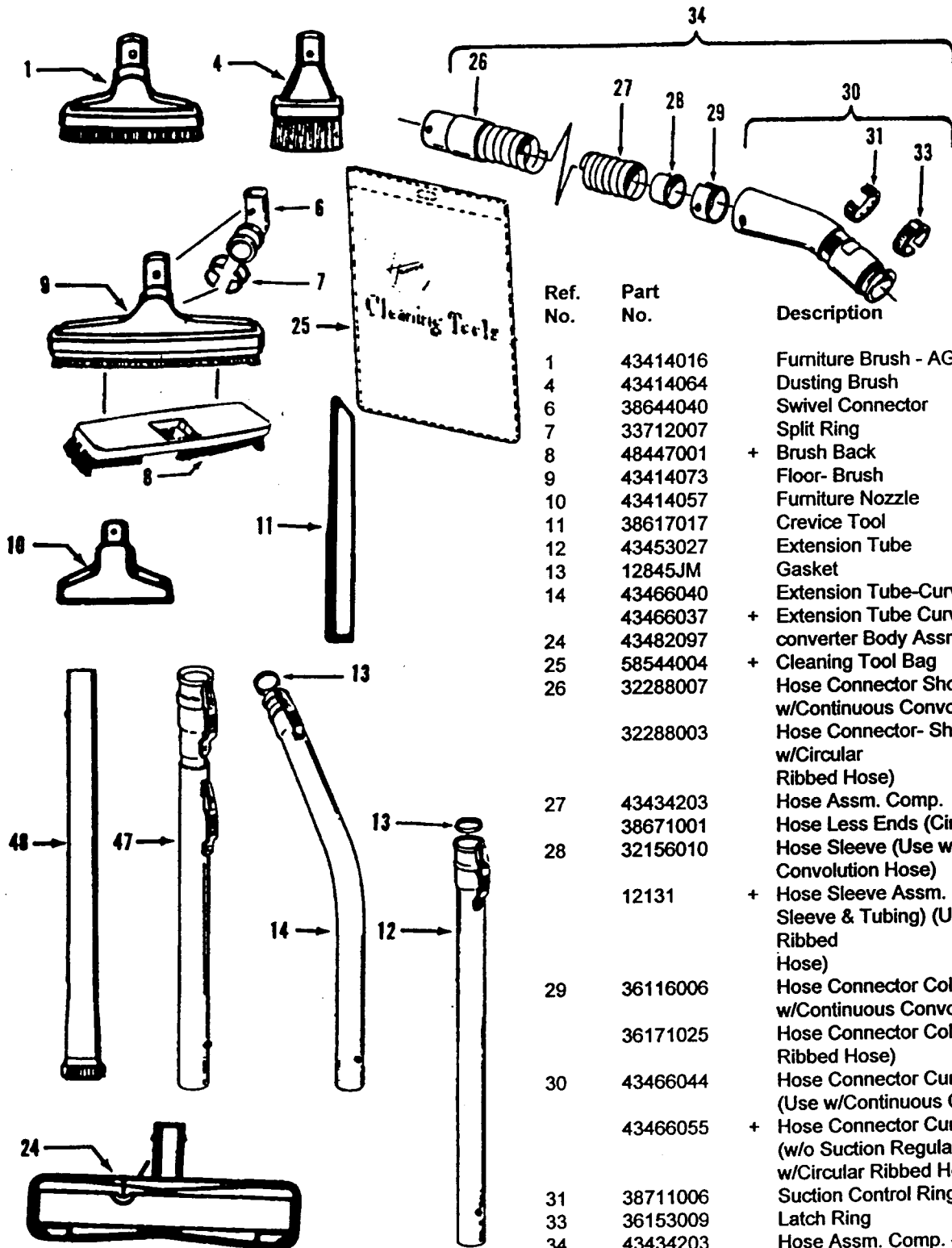


Ref. No.	Part No.	Description
1	38421027	Nozzle Adjust. Lever - JM
2	51831001	+ Nameplate
3	37253239	+ Hood
4	21447003	* Screw
5	36235082	Furniture Guard - LY
6	36913018	+ Insulator
7	42246064	Agitator Housing
8	21447014	* Screw
9	12173	* Seal-Upper
10	163699	* Lock Ring
11	31142014	+* Roller
12	43124009	Power Drive Unit
13	160147AG	Belt
14	35476012	Frame - LH
15	21479229	Screw
16	32155004	Bearing
17	38335014	Spring
18	38452071	Handle Release Lever
19	38522032	Rear Wheel
20	13730	* Lock Ring (Use 8 on Models w/Metal Handle Release Levers; Use 4 on Models w/Plastic Handle Release Levers)
21	37912013	Wheel Cover - MW
22	38781006	* Pulley Seal - Lower
23	37245087	Bottom Plate
24	21766505	+* Screw
25	34122019	* Duct Seal
26	38452048	+ Handle Release
27	32547002	Rear Axle
28	41967004	Frame - RH
29	38452058	+ Handle Release Lever - R.H. - LY
	38452059	Handle Release Lever - R.H. - AG
30	34123003	Duct Seal
31	35476027	Agitator Hsg. Bracket - R.H.
32	38656023	Air Duct
33	21447203	* Screw
34	34751002	Detent Spring
35	38563015	Cam
36	38537001	Drive Pulley
37	163340AG	Drive Wheel

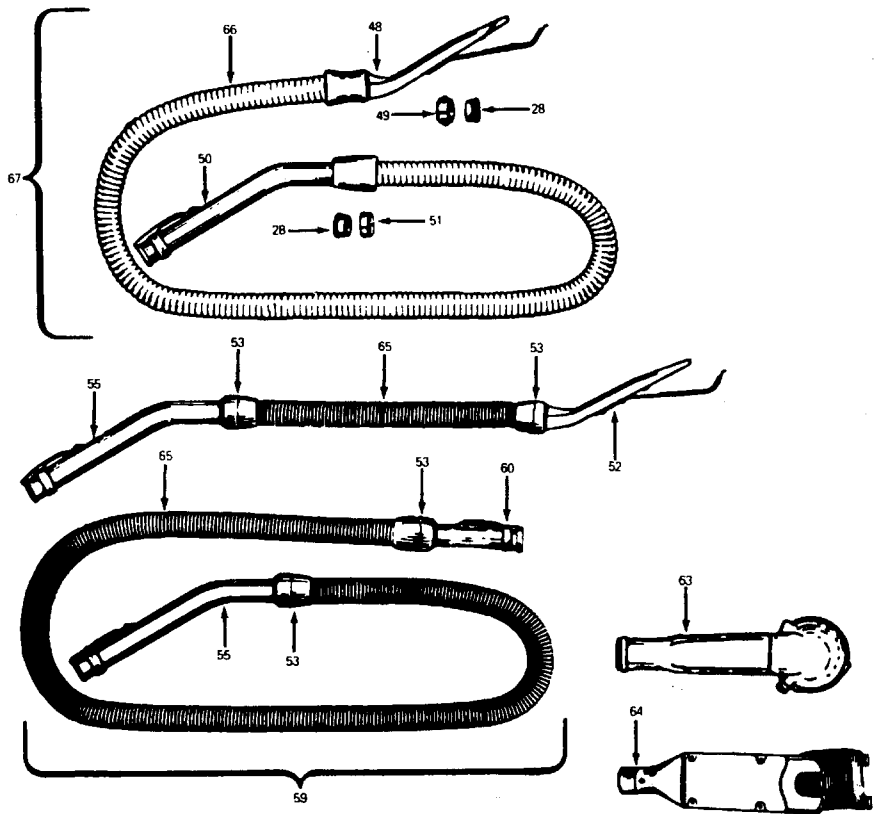
ITEMS NOT ILLUSTRATED

- 21312777 + Washer (2) Use on Models w/Plastic Handle Release Levers between Rear Wheels and Handle Release Levers

Cleaning Tools



Ref. No.	Part No.	Description
1	43414016	Furniture Brush - AG
4	43414064	Dusting Brush
6	38644040	Swivel Connector
7	33712007	Split Ring
8	48447001	+ Brush Back
9	43414073	Floor- Brush
10	43414057	Furniture Nozzle
11	38617017	Crevice Tool
12	43453027	Extension Tube
13	12845JM	Gasket
14	43466040	Extension Tube-Curved - 17
	43466037	+ Extension Tube Curved - 22
24	43482097	converter Body Assm.
25	58544004	+ Cleaning Tool Bag
26	32288007	Hose Connector Short (Use w/Continuous Convolution Hose)
	32288003	Hose Connector- Short (Use w/Circular Ribbed Hose)
27	43434203	Hose Assm. Comp.
	38671001	Hose Less Ends (Circular- Ribbed)
28	32156010	Hose Sleeve (Use w/Continuous Convolution Hose)
	12131	+ Hose Sleeve Assm. (Includes Hose Sleeve & Tubing) (Use w/Circular Ribbed Hose)
29	36116006	Hose Connector Collar (Use w/Continuous Convolution Hose)
	36171025	Hose Connector Collar (Use w/Circular Ribbed Hose)
30	43466044	Hose Connector Curved w/Rings AAP (Use w/Continuous Convolution Hose)
	43466055	+ Hose Connector Curved w/Latch Ring (w/o Suction Regulator) (Use w/Circular Ribbed Hose)
31	38711006	Suction Control Ring
33	36153009	Latch Ring
34	43434203	Hose Assm. Comp. - Front Conversion (Continuous Convolutions)(w/o Suction Regulator)
	43434209	Hose Assm. Comp. - Front Conversion Circular Ribbed w/o Suction Regulator
47	43458001	Extension Tube
48	3863801P	Extension Tube - Poly - AG



Ref. No.	Part No.	Description
28	32156010	Sleeve
48	13147JM	+ Converter
49	12615BZ	Hose Converter Collar
50	43468018	Hose Tube Curved
51	12704BZ	Hose Grip Collar
52	23473JM	+ Converter
53	23393JM	Hose Grip
55	13143	Hose Tube Curved
59	22671JM	+ Hose Comp. - Ultraflex (Commercial) (Use w/Converter 34202 or 35190)
60	34355	+ Hose End Short
63	35190	Converter (Use w/Hose 22671)

Ref. No.	Part No.	Description
64	34202JM	+ Converter (Use w/Hose 22671)
65	48617 JM	+ Hose Less Ends
66	43434213	Hose Less Ends
67	12864JM	+ Hose Assm. Comp.- Tufflex (Standard Rear Conversion)

ITEMS NOT ILLUSTRATED

169460JM	+ Ultraflex Hose - 50' length
43431011	+ Tufflex Hose - 50' length