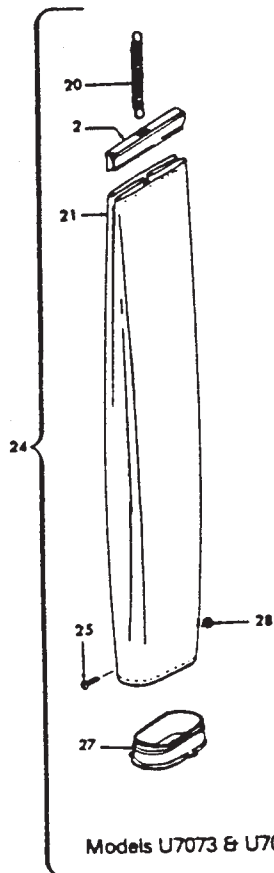
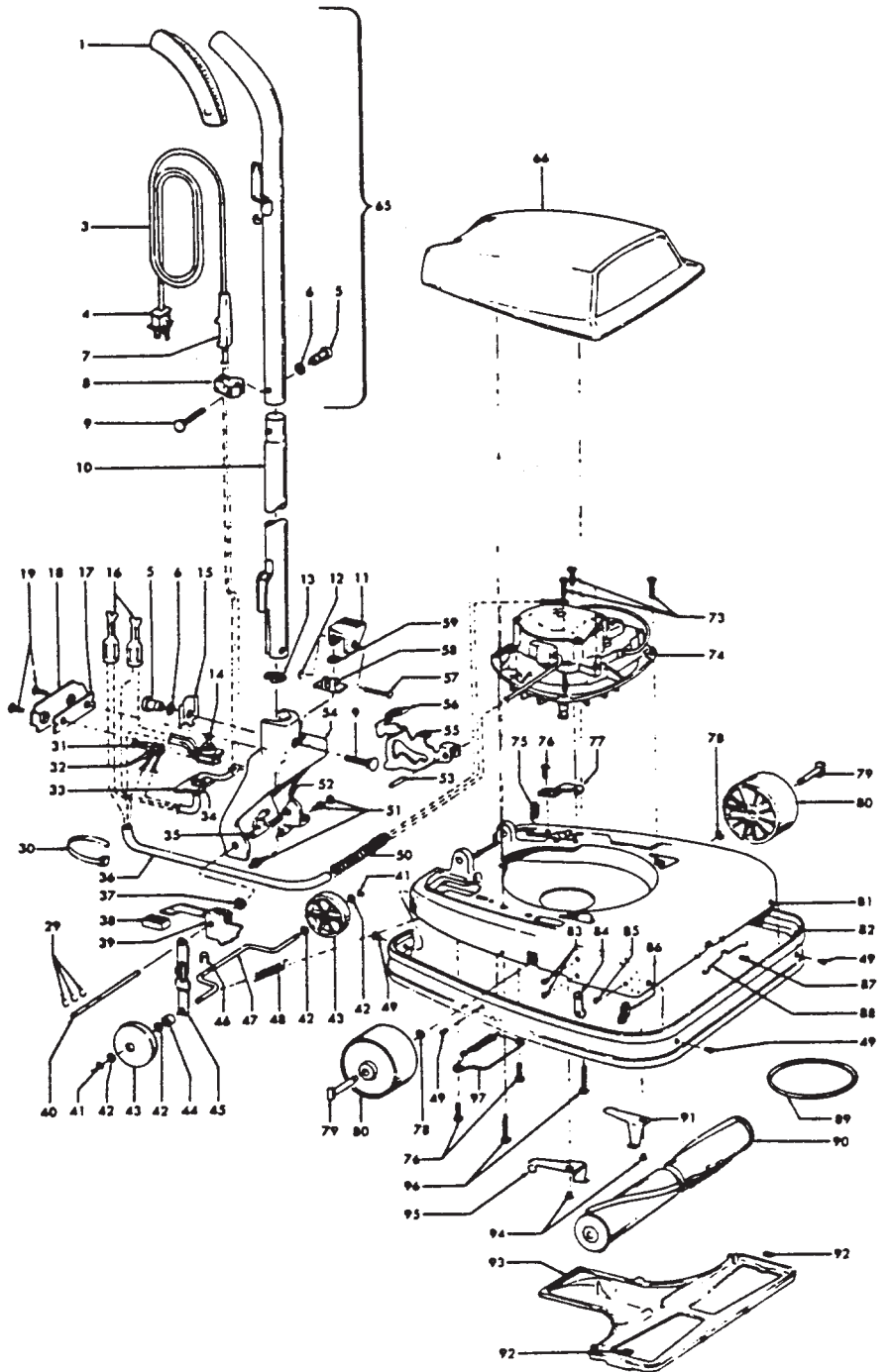


Model U7067

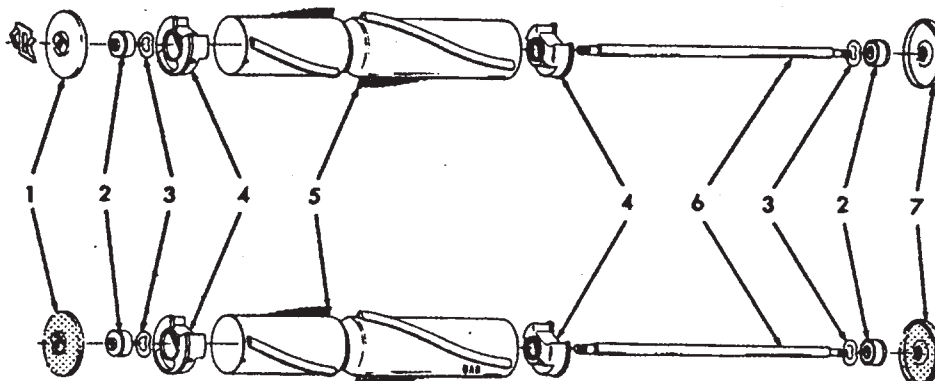
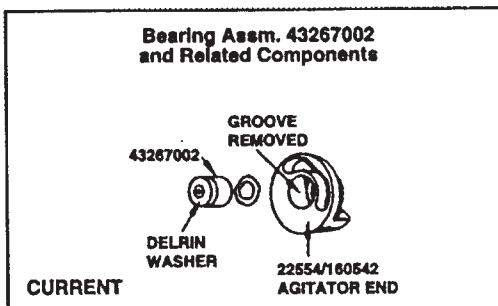
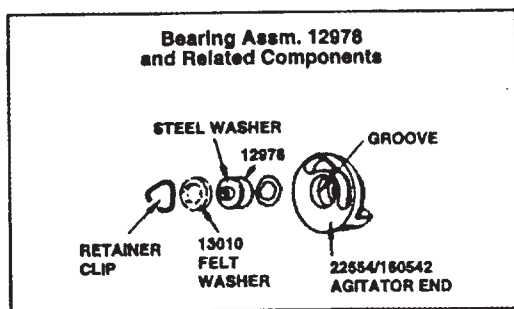


Models U7073 & U7075



Models U7067, U7073, U7075

Ref. No.	Part No.	Description	Ref. No.	Part No.	Description
1	23458LY	Handle Grip	45	161514	+ Cam Follower Assm.
2	43362	+ Bag Closure Clip & Spring	46	34252005	* Yoke
3	46583148	Attach. Cord - HP	47	33152003	Rear Wheel Shaft
4	25084	+ Plug - U7067, U7075	48	161513	Spring
5	32277008	Handle Nut (2)	49	32242004	* Rivet - Tubular (6)
6	13704	* Washer (2)	50	38313023	Motor Lead Spring
7	36215025	Cord Protector - HP	51	11735	Roller Detent Assm.
8	34785018	+ Cord Clamp - LY	52	48409FW	Bag Flange Clamp Lever Spring
9	21631302	Handle Bolt (2)	53	47450AY	Pivot Pin
10	48631109	Handle - Lower Half - LY	54	41416010	Bail - AG
11	38424003	Switch Pedal	55	43137047	Handle. Control Lever - DS
12	24735022	* Circlip	56	38426080	Foot Pad
13	37911037	+ Handle Plug	57	613802AY	* Shaft
14	28212017	Switch	58	35217006	Mounting Bracket
15	35463002	Handle Retainer Plate	59	12560	* Nut
16	48969	* Wire Nut	65	48644022	+ Handle - Upper Half - LY
17	36215002	+ Lead Wire Protector	66	42251325	Hood - HP
18	37954001	Bail Cover Plate	73	45355	+ Screw (3)
19	21481273	* Screw - Self Tapping (2)	74	43574193	Motor - U7067, U7075
20	38336014	Bag Support Spring		43574008	+ Motor (220 V) - U7073 - (P - 28)
21	43677322	Outer Bag - Common	75	12559FW	Spring
	43675107	Bag Assm. HP/HP - U7073, U7075	76	21767082	* Screw (3)
22	43482058	+ Top Fill Tube & Seal (Shown)	77	34665007	Pivot Pin Retainer
	38657004	Top Fill Tube (Push on Type)	78	13730	* Lock Ring (2)
23	4010001A	Throw Away Bag (3 Pk.) - U7067	79	47457AY	Carrier Wheel Shaft (2)
24	43678330	Outer Bag Comp. (Vinyl) - U7067	80	34791AG	Carrier Wheel (2)
	43675107	Outer Bag Comp. - Cloth - HP - U7073, U7075	81	42242064	Main Body
25	21765159	* Screw - Machine	82	36231036	Furniture Guard - LY
26	38673009	Bellows - U7067	83	48422	* Rivet (4)
27	41424011	Bag Flange Assm.	84	34355002	Agitator Support Plate (2)
	41424012	+ Bag Flange & Gasket	85	32243001	* Rivet (2)
28	15854EF	* Nut	86	47259AY	Agitator Clamp Spring (2)
29	13730	* Lock Ring (3)	87	161882	+* Rivet
30	27479307	* Wire Tie	88	34439	Bottom Plate Spring
31	23187363	Screw - Sems	89	44783AG	Belt
32	27661503	* Ring Tongue Terminal (2)	90	48414003	Agitator Comp. - Four Brush - U7067
33	34223004	Mounting Plate		41435005	Agitator Comp. - U7073, U7075
34	39049	Strain Relief	91	35446005	Bottom Plate Latch - LH
35	19907	Bag Flange Clamp Lever	92	34111001	* Support Pad (2)
36	31727010	Cord Cover Tubing - AG	93	42246008	Bottom Plate
37	161507	+ Washer	94	12456	+* Rivet (2)
38	38426071	Foot Pad	95	35446003	Bottom Plate Latch - RH
39	161571JM	Nozzle Adj. Lever	96	21447020	* Screw - Self Tapping (2)
40	161509AY	Bail Shaft	97	35434040	Axle/ Bag Flange Retainer
41	17207AZ	* Lock Ring (2)	PACKAGING MATERIAL		
42	21312772	* Washer (4)	58173039	+ Carton - Common	
43	38521041	Rear Wheel (2)	58343025	Front Support	
44	31148004	* Spacer	58366012	Rear Support	
			56711004	+ Instruction Sheet - U7067	
			56711005	+ Owner Manual - U7067	
			56711006	+ Instruction Sheet - U7073, U7075	
			56711007	+ Owner Manual - U7073, U7075	



Ref. No.	Part No.	Description
1	49180	Thread Guard & Spring (Metal)
	36423003	+ Thread Guard L.H. (Molded)
2	43267002	Bearing
3	21347003	* Thrust Washer
4	22554	Agitator End (Early Model Standard Performance Cleaners, L.H. Helix)
	160542	Agitator End (Standard & High Performance Cleaners, R.H. Helix)
	41435070	Agitator End (Use w/two brush agitator Pt. #48414021)
5	12998BZ	Agitator Brush - 8 mil (Early Model Standard Performance Cleaners, L.H. Helix)
	160646BZ	Agitator Brush - 8 mil (Standard Performance Cleaners, R.H. Helix)
	48445001	Agitator Brush - 11 mil (High Performance Cleaners, R.H. Helix)
6	12981	+ Agitator Shaft (Used w/metal thread guards)
	32724008	Agitator Shaft (Used w/molded thread guards)
7	12985AY	Thread Guard R.H. (Metal)
	36423007	+ Thread Guard R.H. (Molded)

AGITATOR BELT

49258AG	Domestic models, Convertible/Decade 80/Heavy Duty Commercials
44783AG	Lightweight Commercials

AGITATOR ASSEMBLY

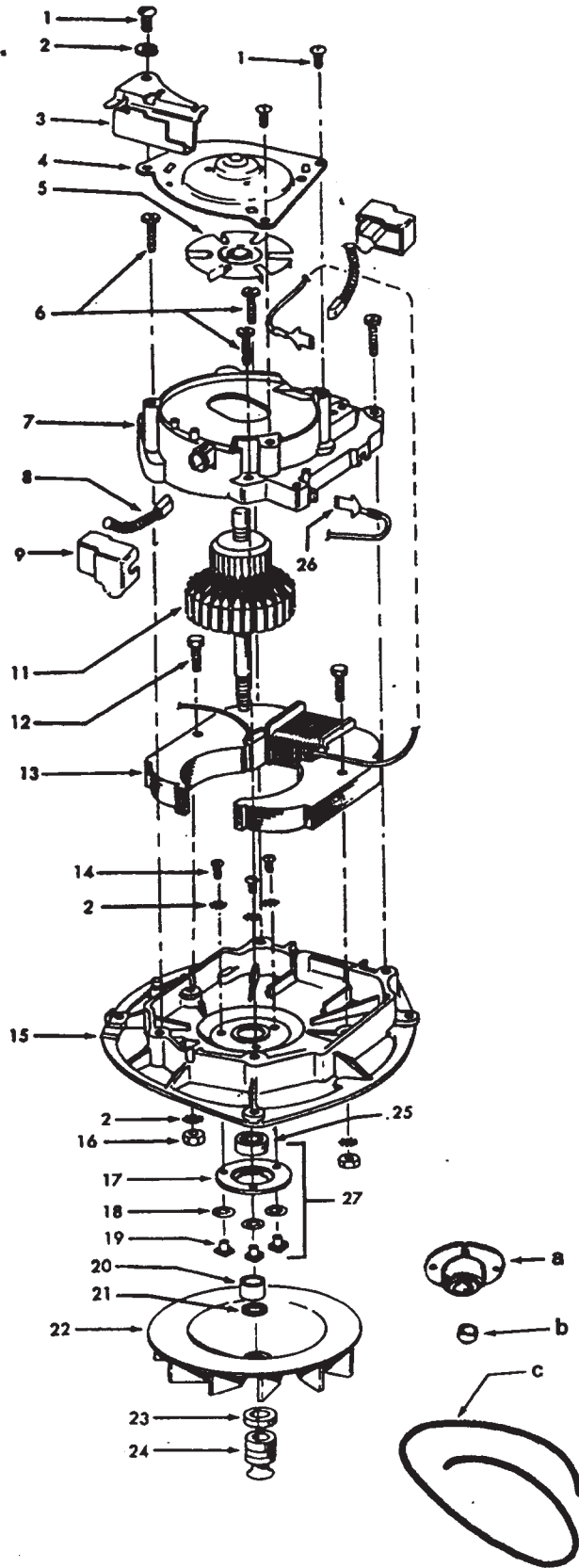
169371MF	+ Standard Performance, R.H. Helix (Metal Thread Guards)
41435005	High Performance Cleaners, R.H. Helix (Metal Thread Guards w/Spdng)
48414006	+ High Performance Cleaners, R.H. Helix (Metal Thread Guards)
48414007	+ Standard Performance, R.H. Helix (Molded Thread Guards)

FOUR BRUSH AGITATOR ASSEMBLY

48414002	+ Heavy Duty Commercial (Use 47159 Brush-Long, 47160 Brush-Short & 46875 Sems Fastener)
48414003	Lightweight Commercial (Use 160646BZ Brush & 36422003 Agitator End)

TWO BRUSH W/O BEATER BAR

48414021	Agitator (Molded Thread Guards)
----------	---------------------------------



Motor 43574140
2-Speed w/Guide
w/Light Socket

43574136 + Motor 1 -Speed

Ref. No.	Part No.	Description
1	45533AY	+* Screw
2	14062	* Washer
3	41961009	Indicator Guide
4	42934002	Upper Motor Bearing
5	38755004	Fan
6	161535	* Screw
7	19857	+ Upper Motor Case
8	47318012	Carbon brush
9	36315003	Brush Insulator
11	44765085	Armature
12	45118	* Bolt
13	45412017	Field Coil - 2 - Spd.
	45412015	Field Coil -1 - Spd.
14	21772501	* Screw
15	42193006	Lower Motor Case
16	15673	* Nut
17	32184003	Retainer
18	19772	* Washer
19	45251	* Nut
20	31731002	Spacer
21	166563	* Washer
22	38755011	Fan - Poly
23	31162004	* Washer - Insulator
24	38532009	Motor Pulley
25	24152807	Bearing
26	14320	* Terminal
27	43267006	Bearing Kit

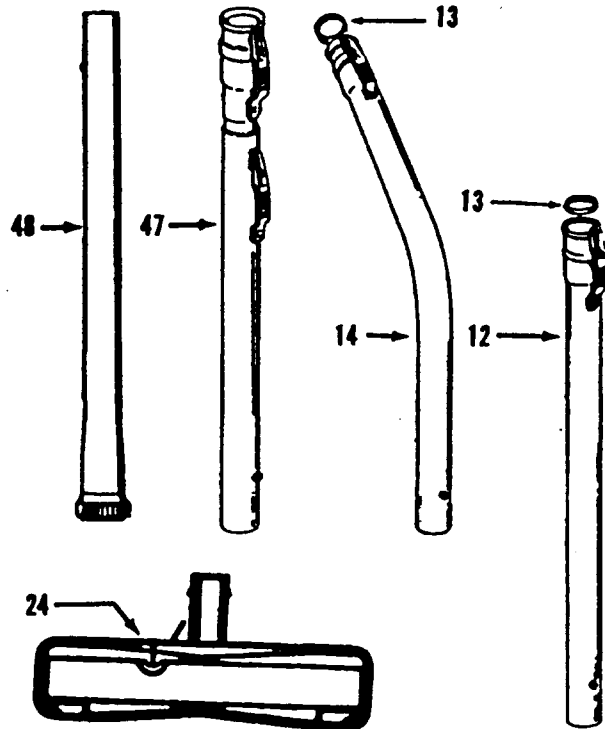
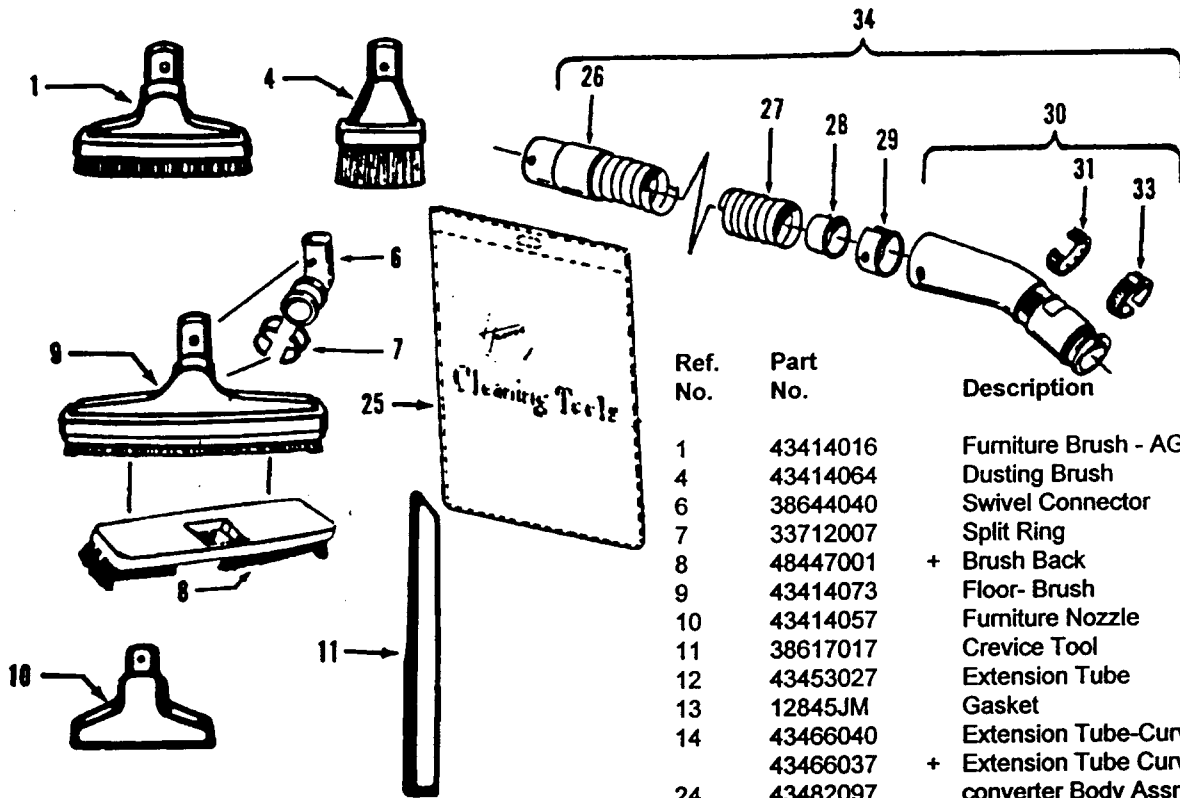
EARLY MODELS

A	19829	Bearing Kit
B	163059	+ Spacer
c	47232	Gasket - (Lower Case)

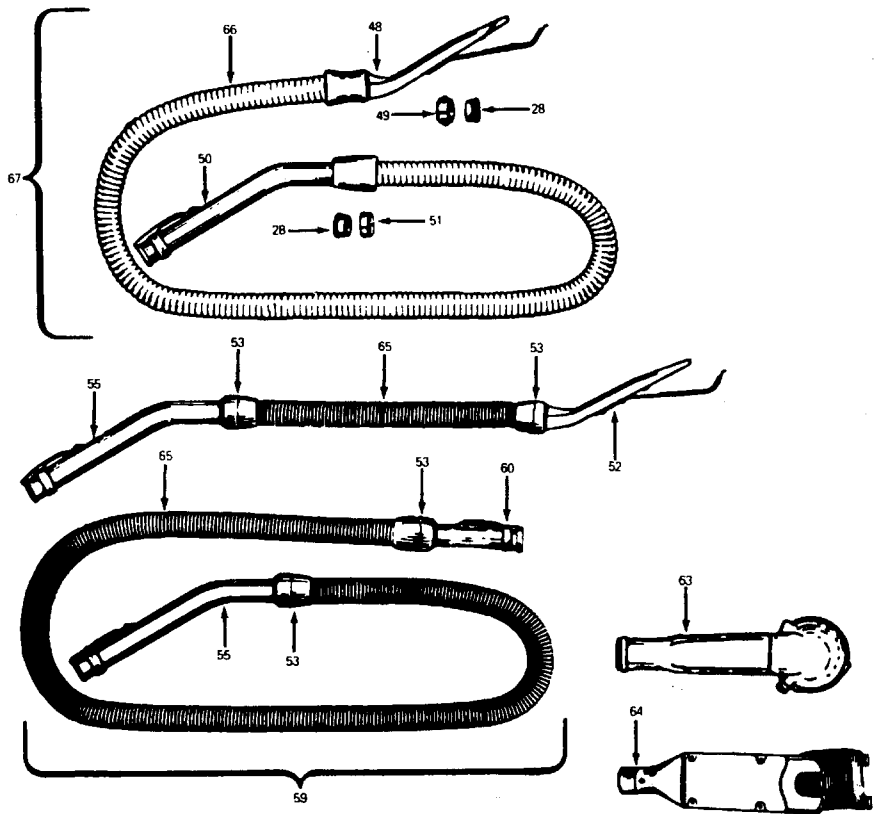
ITEMS NOT ILLUSTRATED

35276006	Indicator Guide Spring
40300014	Armature Spacer/Split Sleeve Kit (For use with Lower Mtr. Brgs. with 4 Attachment Holes)

Cleaning Tools



Ref. No.	Part No.	Description
1	43414016	Furniture Brush - AG
4	43414064	Dusting Brush
6	38644040	Swivel Connector
7	33712007	Split Ring
8	48447001	+ Brush Back
9	43414073	Floor- Brush
10	43414057	Furniture Nozzle
11	38617017	Crevice Tool
12	43453027	Extension Tube
13	12845JM	Gasket
14	43466040	Extension Tube-Curved - 17
	43466037	+ Extension Tube Curved - 22
24	43482097	converter Body Assm.
25	58544004	+ Cleaning Tool Bag
26	32288007	Hose Connector Short (Use w/Continuous Convolution Hose)
	32288003	Hose Connector- Short (Use w/Circular Ribbed Hose)
27	43434203	Hose Assm. Comp.
	38671001	Hose Less Ends (Circular- Ribbed)
28	32156010	Hose Sleeve (Use w/Continuous Convolution Hose)
	12131	+ Hose Sleeve Assm. (Includes Hose Sleeve & Tubing) (Use w/Circular Ribbed Hose)
29	36116006	Hose Connector Collar (Use w/Continuous Convolution Hose)
	36171025	Hose Connector Collar (Use w/Circular Ribbed Hose)
30	43466044	Hose Connector Curved w/Rings AAP (Use w/Continuous Convolution Hose)
	43466055	+ Hose Connector Curved w/Latch Ring (w/o Suction Regulator) (Use w/Circular Ribbed Hose)
31	38711006	Suction Control Ring
33	36153009	Latch Ring
34	43434203	Hose Assm. Comp. - Front Conversion (Continuous Convolutions)(w/o Suction Regulator)
	43434209	Hose Assm. Comp. - Front Conversion Circular Ribbed w/o Suction Regulator
47	43458001	Extension Tube
48	3863801P	Extension Tube - Poly - AG



Ref. No.	Part No.	Description
28	32156010	Sleeve
48	13147JM	+ Converter
49	12615BZ	Hose Converter Collar
50	43468018	Hose Tube Curved
51	12704BZ	Hose Grip Collar
52	23473JM	+ Converter
53	23393JM	Hose Grip
55	13143	Hose Tube Curved
59	22671JM	+ Hose Comp. - Ultraflex (Commercial) (Use w/Converter 34202 or 35190)
60	34355	+ Hose End Short
63	35190	Converter (Use w/Hose 22671)

Ref. No.	Part No.	Description
64	34202JM	+ Converter (Use w/Hose 22671)
65	48617 JM	+ Hose Less Ends
66	43434213	Hose Less Ends
67	12864JM	+ Hose Assm. Comp.- Tufflex (Standard Rear Conversion)

ITEMS NOT ILLUSTRATED

169460JM	+ Ultraflex Hose - 50' length
43431011	+ Tufflex Hose - 50' length