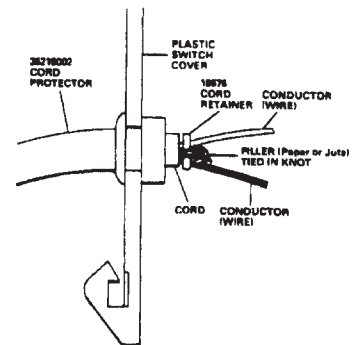


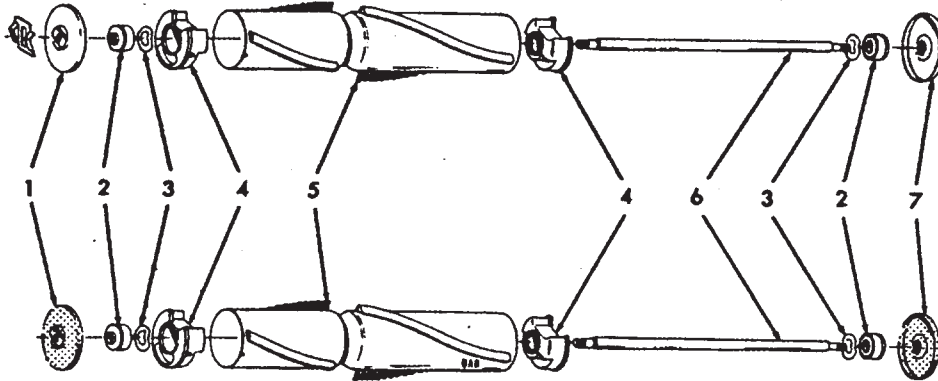
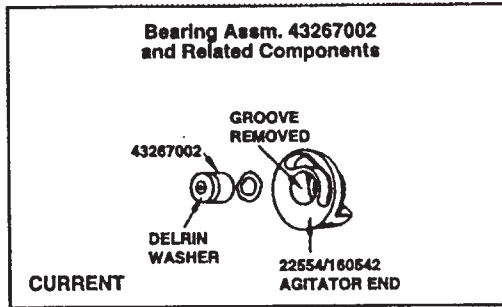
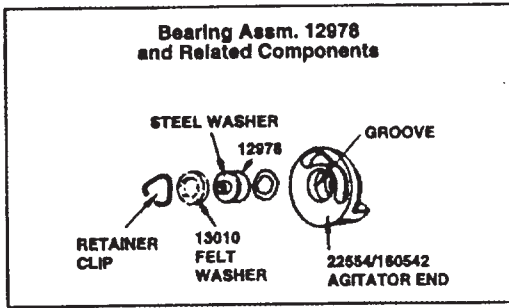
Commercial Cleaner

Model U7063

Ref. No.	Part No.	Description
1	46323122	Attachment Cord - HP - 50
2	21465314	* Screw
3	38421012	Switch Button - AG
4	37258110	Switch Cover - AG
5	23458LY	Handle Grip
6	281770KD	Switch
7	27666702	* Terminal
8	37214070	Switch Case
9	48969	* Wire Nut
10	34253010	* Retainer
11	36216002	Cord Protector
12	39441016	Cord Clip - AG
13	21256094	* Rivet
14	48644041	Upper Handle - AX
15	32277021	Handle Nut
16	21631301	Handle Bolt
17	13704	* Washer
18	36913007	Insulator
19	47155005	Connector Cord
20	46321033	Connector Cord
21	32284018	Lower Handle - AX
22	38335009	Support Spring
23	41424025	Bag Clip & Spring
24	43667040	Cloth Bag - HP
25	35173001	Bag Expander
26	41427006	Support & Bellows
27	34112015	Seal
28	36155011	Latch
29	38426080	Foot Pad
30	38775001	Dirt Cup
31	38673001	Bellows
32	36425023	Clamp Band
	49044	Screw Band
33	41424011	Bag Flange
34	21481273	* Screw
35	43675031	Dust Cup Assm.
36	37954001	Cover Plate
37	35463011	Retainer Plate
38	31728022	Tubing - AG
39	41416038	+ Bail - AG
40	43137047	Handle Control Lever - DS
41	38426071	Foot Pad - DS
42	13730	* Lock Ring
43	161509AY	Bail Shaft
44	161571JM	Adj. Lever
45	161507	+* Washer
46	19907	Bag Flange Lever
47	48409FW	Spring
48	11735	Roller Detent
49	47450AY	Pivot Pin
52	17207AZ	* Lock Ring
53	38521041	Rear Wheel
54	21312772	* Washer
55	31148004	* Spacer
56	161514	+ Cam Follower

Ref. No.	Part No.	Description
57	33152003	Rear Wheel Shaft
58	34252005	* Yoke
59	161513	Spring
60	42251325	Hood - HP
61	45355	+ Screw
62	43574193	Motor
63	14279	+* Screw
64	35437010	Baffle
65	34665007	Retainer
67	32242004	* Rivet
69	21447020	* Screw
70	34665007	Retainer
71	12559FW	Spring
72	35434040	Axle/Flange Retainer
73	21767082	* Screw
74	47457AY	Wheel Shaft
76	34791AG	Carrier Wheel
77	13730	* Lock Ring
78	48422	* Rivet
79	34355002	Support Plate
80	35446005	Bottom Plate Latch - LH
81	35446003	Bottom Plate Latch - RH
82	12456	+* Rivet
83	42242064	Main Body
84	47259AY	Agitator Clamp
85	32243001	* Rivet
86	161882	+* Rivet
87	34439	Bottom Plate Spring
88	41435005	Agitator - (P-47)
89	44783AG	Belt
90	34111001	* Support Pad
91	42246008	Bottom Plate
93	36231036	Furniture Guard - LY
94	48644043	Handle Comp. - AX
95	34123020	Gasket Seal
96	15854EF	* Nut
97	17206	* Screw
98	18676	Cord Retainer (Used with Cord Protector 36216002. Cord is held into the Cord Protector by tying the filler in the cord over the Cord Protector as shown.)





Ref. No.	Part No.	Description
1	49180 36423003	Thread Guard & Spring (Metal) + Thread Guard L.H. (Molded)
2	43267002	Bearing
3	21347003	* Thrust Washer
4	22554 160542 41435070	Agitator End (Early Model Standard Performance Cleaners, L.H. Helix) Agitator End (Standard & High Performance Cleaners, R.H. Helix) Agitator End (Use w/two brush agitator Pt. #48414021)
5	12998BZ 160646BZ 48445001	Agitator Brush - 8 mil (Early Model Standard Performance Cleaners, L.H. Helix) Agitator Brush - 8 mil (Standard Performance Cleaners, R.H. Helix) Agitator Brush - 11 mil (High Performance Cleaners, R.H. Helix)
6	12981 32724008	+ Agitator Shaft (Used w/metal thread guards) Agitator Shaft (Used w/molded thread guards)
7	12985AY 36423007	Thread Guard R.H. (Metal) + Thread Guard R.H. (Molded)

AGITATOR BELT

49258AG	Domestic models, Convertible/Decade 80/Heavy Duty Commercials
44783AG	Lightweight Commercials

AGITATOR ASSEMBLY

169371MF	+ Standard Performance, R.H. Helix (Metal Thread Guards)
41435005	High Performance Cleaners, R.H. Helix (Metal Thread Guards w/Spdng)
48414006	+ High Performance Cleaners, R.H. Helix (Metal Thread Guards)
48414007	+ Standard Performance, R.H. Helix (Molded Thread Guards)

FOUR BRUSH AGITATOR ASSEMBLY

48414002	+ Heavy Duty Commercial (Use 47159 Brush-Long, 47160 Brush-Short & 46875 Sems Fastener)
48414003	Lightweight Commercial (Use 160646BZ Brush & 36422003 Agitator End)

TWO BRUSH W/O BEATER BAR

48414021	Agitator (Molded Thread Guards)
----------	---------------------------------

Motor

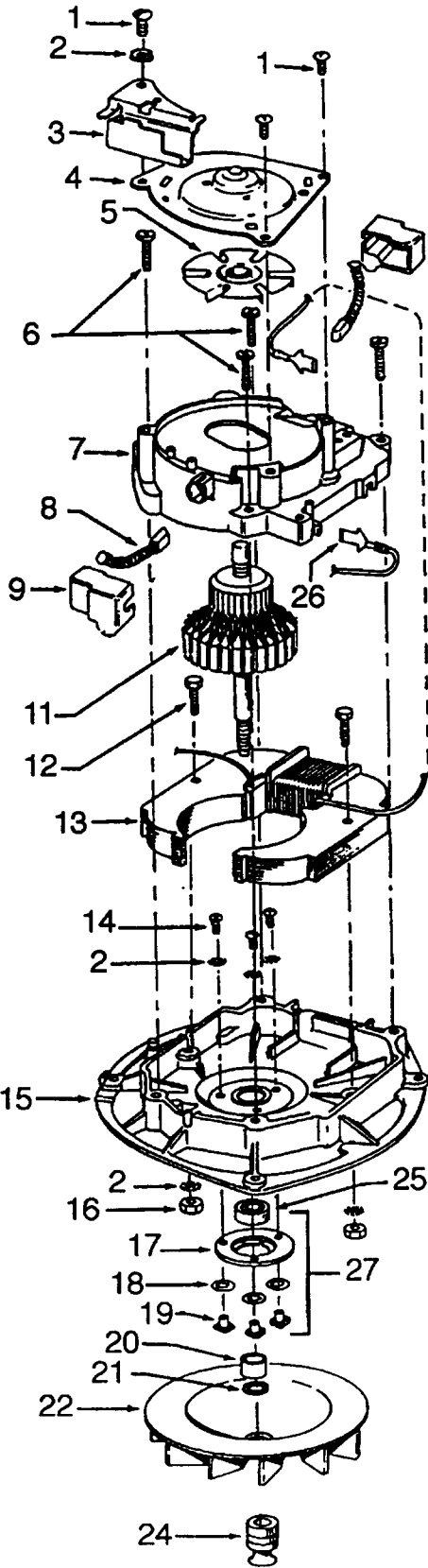
**Models C1065, C1067, C1069, C1085, C1401
C1405, C1425, C1429, U7021, U7063, U7077, U7079**

Motor #43574192

1-Speed w/ Guide

Motor #43574193

1-Speed w/o Guide

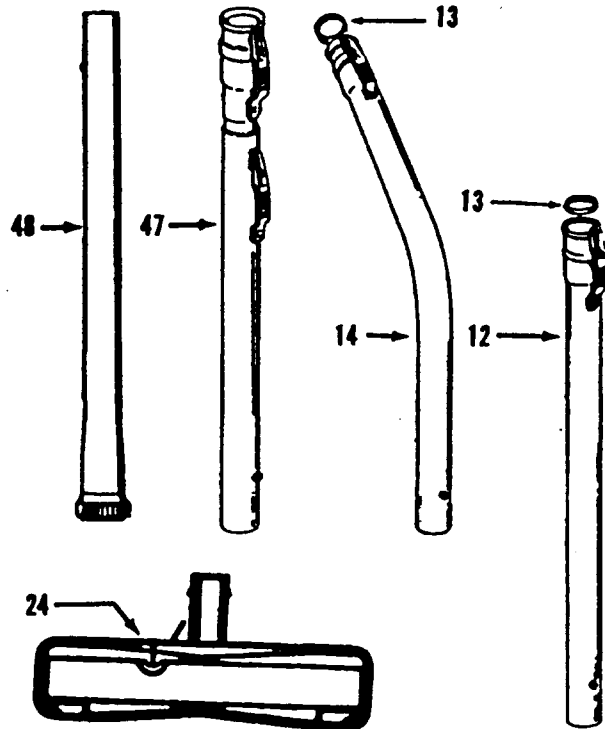
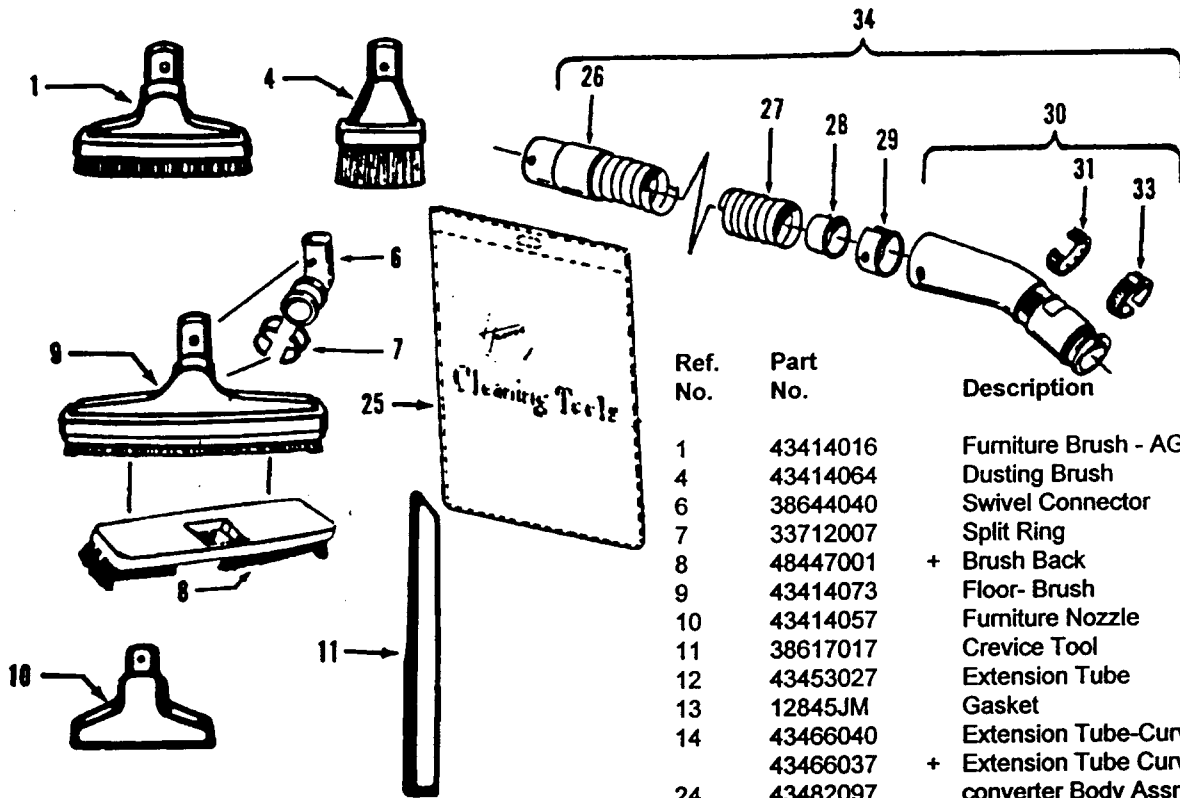


Ref. No.	Part No.	Description
1	45533AY	* Screw
2	14062	* Washer
3	41961009	Indicator Guide
4	42934002	Upper Bearing
5	38755004	Vent Fan
6	161535	* Screw
7	19857	+ Upper Motor Casing
8	47318012	Carbon Brush
9	36315003	Brush Insulator
11	44768051	Armature
12	45118	* Bolt
13	45412015	Field Coil
14	21772501	* Screw
15	42193006	Lower Motor Case
16	15673	* Nut
17	32184003	Retainer
18	19772	* Washer
19	45251	Nut
20	31731002	Spacer
21	166563	* Washer
22	38755011	Fan - Poly
24	43251003	Motor Pulley
25	24152807	Bearing
26	14320	* Terminal
27	43267006	Bearing Kit

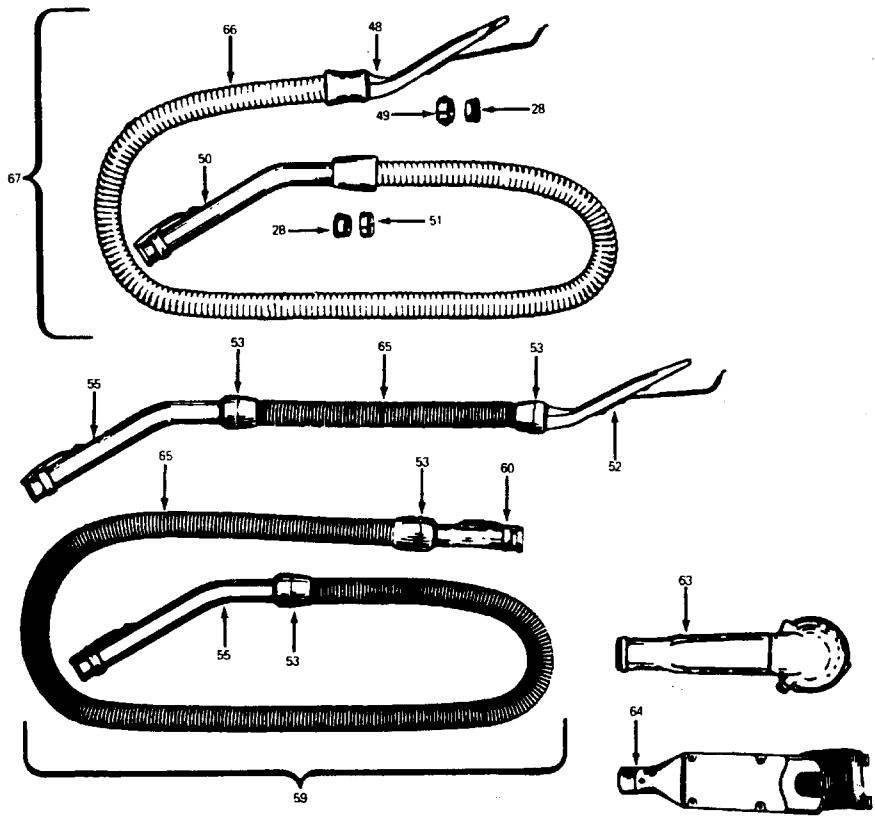
ITEMS NOT ILLUSTRATED

35276006	Indicator Guide Spring
----------	------------------------

Cleaning Tools



Ref. No.	Part No.	Description
1	43414016	Furniture Brush - AG
4	43414064	Dusting Brush
6	38644040	Swivel Connector
7	33712007	Split Ring
8	48447001	+ Brush Back
9	43414073	Floor- Brush
10	43414057	Furniture Nozzle
11	38617017	Crevice Tool
12	43453027	Extension Tube
13	12845JM	Gasket
14	43466040	Extension Tube-Curved - 17
	43466037	+ Extension Tube Curved - 22
24	43482097	converter Body Assm.
25	58544004	+ Cleaning Tool Bag
26	32288007	Hose Connector Short (Use w/Continuous Convolution Hose)
	32288003	Hose Connector- Short (Use w/Circular Ribbed Hose)
27	43434203	Hose Assm. Comp.
	38671001	Hose Less Ends (Circular- Ribbed)
28	32156010	Hose Sleeve (Use w/Continuous Convolution Hose)
	12131	+ Hose Sleeve Assm. (Includes Hose Sleeve & Tubing) (Use w/Circular Ribbed Hose)
29	36116006	Hose Connector Collar (Use w/Continuous Convolution Hose)
	36171025	Hose Connector Collar (Use w/Circular Ribbed Hose)
30	43466044	Hose Connector Curved w/Rings AAP (Use w/Continuous Convolution Hose)
	43466055	+ Hose Connector Curved w/Latch Ring (w/o Suction Regulator) (Use w/Circular Ribbed Hose)
31	38711006	Suction Control Ring
33	36153009	Latch Ring
34	43434203	Hose Assm. Comp. - Front Conversion (Continuous Convolutions)(w/o Suction Regulator)
	43434209	Hose Assm. Comp. - Front Conversion Circular Ribbed w/o Suction Regulator
47	43458001	Extension Tube
48	3863801P	Extension Tube - Poly - AG



Ref. No.	Part No.	Description
28	32156010	Sleeve
48	13147JM	+ Converter
49	12615BZ	Hose Converter Collar
50	43468018	Hose Tube Curved
51	12704BZ	Hose Grip Collar
52	23473JM	+ Converter
53	23393JM	Hose Grip
55	13143	Hose Tube Curved
59	22671JM	+ Hose Comp. - Ultraflex (Commercial) (Use w/Converter 34202 or 35190)
60	34355	+ Hose End Short
63	35190	Converter (Use w/Hose 22671)

Ref. No.	Part No.	Description
64	34202JM	+ Converter (Use w/Hose 22671)
65	48617 JM	+ Hose Less Ends
66	43434213	Hose Less Ends
67	12864JM	+ Hose Assm. Comp.- Tufflex (Standard Rear Conversion)

ITEMS NOT ILLUSTRATED

169460JM	+ Ultraflex Hose - 50' length
43431011	+ Tufflex Hose - 50' length