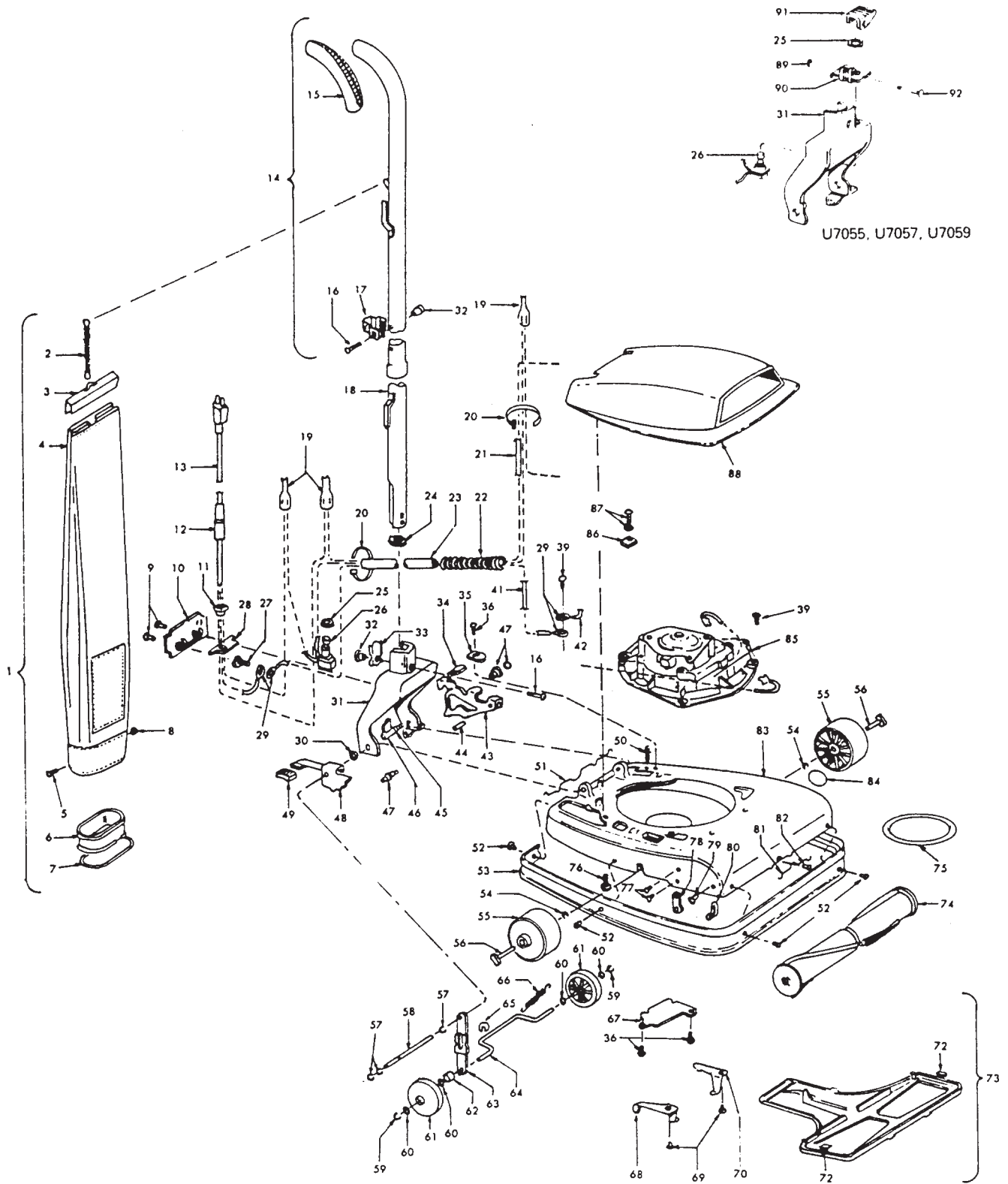


Models U7039, U7041, U7043, U7045, U7047,
U7055 (220 V), U7057, U7059



**Models U7039, U7041, U7043, U7045, U7047
U7055 (220V), U7057, U7059**

Ref. No.	Part No.	Description	Ref. No.	Part No.	Description
1	43675131	+ Outer Bag Comp. - Cloth	39	45355	+ Machine Screw
2	38336014	Bag Support Spring	41	46214002	+ Lead Wire - Green
3	43362	+ Bag Closure Clip & Spring - U7039, U7041, U7043, U7045, U7047, U7055, U7057, U7059	42	46128002	+ Jumper Lead - Green
4	43674221	Outer Bag - Cloth - AG (also requires 41128011 bag clip)	43	38456050	Handle Control Lever
5	21765159	* Screw - Machine	44	47450AY	Pivot Pin
6	41424011	Bag Flange & Gasket	45	48409FW	Bag Flange Clamp Lever Spring
	41424012	+ Bag Flange & Gasket	46	19907	Bag Flange Clamp Lever
7	47454	+ Bag Flange Gasket (use w/48961)	47	11735	Roller Detent Assm.
8	15854EF	* Nut - Special	48	161511AY	Nozzle Adj. Lever
9	21481273	* Screw - Self Tapping (2)	49	38426071	Foot Pad
10	37954001	Bail Cover Plate		38426072	+ Foot Pad - U7055, U7057, U7059
11	165371	+ Strain Relief - U7039, U7041	50	12559FW	Handle Control Lever Spring
	39049	Strain Relief	51	34344FW	+ Bag Flange Retaining Spring
12	36215021	Cord Protector - U7043, U7045, U7047, U7055, U7057, U7059	52	32242004	* Rivet - Tubular (6)
13	46583031	Cord	53	36231037	Furniture Guard - AG
	46583089	Attach. Cord - NM - 3W - 29' - 220V	54	13730	* Lock Ring (2)
	46583090	Attach. Cord - NM - 3W - 50' - 220V	55	34791AG	Carrier Wheel (2)
	46583148	Attach. Cord - 3W	56	47457AY	Carrier Wheel Shaft (2)
14	48646054	Handle Assembly	57	13730	* Lock Ring (3)
15	23458AG	Handle Grip	58	161509AY	Bail Shaft
16	48294AW	Handle Bolt & Nut - U7039, U7041	59	17207AZ	* Spring Lock Ring (2)
	21631302	Handle Bolt	60	21312772	* Washer (4)
17	14492	Cord Clamp - (Plastic) - U7039, U7041	61	38521041	Rear Wheel (2)
	34785015	Cord Retainer Clip - (Metal - AG)	62	31148004	* Spacer
18	48631057	Handle - Lower Half - AG	63	161514	+ Cam Follower Assm.
19	12227	Insulated Terminal (3)	64	33152003	Rear Wheel Shaft
20	27479307	* Lead Wire Tie	65	34252005	* Yoke
21	46213006	Lead Wire - White	66	161513	Spring
22	38313023	Motor Lead Spring	67	35434040	Axle/Bag Flange Retainer
23	31727010	Cord Cover Tubing - AG		34314002	Axle/Bag Flange Retainer - U7055
24	37911035	Handle Plug	68	35446003	Bottom Plate Latch - R.H.
25	12560	* Switch Nut	69	12456	+* Rivet - Tubular (2)
26	28212017	Switch	70	35446005	Bottom Plate Latch - L.H.
27	166735EF	+ Screw - Self Tapping - U7039, U7041	72	34111001	* Support Pad (2)
	23187363	Screw - Sems	73	42246008	Bottom Plate Assm.
28	34223004	Strain Relief Mounting Plate	74	41435005	Agitator Comp.
29	27661503	* Ring Tongue Terminal		48414003	Agitator - Four Brush - U7047, U7059
30	161507	+* Washer	75	44783AG	Belt
31	41416010	Bail - AG	76	16903	* Screw - Self Tapping (2) (Use on Hoods w/Capserts)
32	48294AW	Handle Bolt & Nut - U7039, U7041		21447020	* Screw - Self Tapping (Use on Hoods w/o Capserts)
	32277008	Handle Nut	77	48422	* Rivet - Tubular (4)
33	35463002	Handle Retainer Plate - AW	78	34355002	Agitator Support Plate (2)
34	38426080	Foot Pad	79	32243001	* Agitator Clamp Support Rivet (2)
	38426064	+ Foot Pad - U7055, U7057, U7059	80	47259AY	Agitator Clamp Spring (2)
35	34665007	Pivot Pin Retainer	81	34439	Bottom Plate Spring
36	21767082	* Machine Screw	82	161882	+* Rivet - Tubular
			83	42242064	Main Casting
			84	51661008	+ Medallion

**Models U7039, U7041, U7043, U7045, U7047
U7055 (220V), U7057, U7059**

Ref. No.	Part No.	Description
85	43574008	+ Motor Comp.- U7039, U7043, U7055 - 220v - (P - 28)
	43574193	Motor Comp. - U7057, U7059, U7041, U7045, U7047 - 1 Spd.
86	34665007	Pivot Pin Retainer (2)
87	14279	+* Screw Assm.
88	42251325	Hood - AAW
89	24735022	* Circlip - U7055, U7057, U7059
90	35217006	Mounting Bracket - AG - U7055, U7057, U7059
91	38424003	Switch Pedal - U7055, U7057, U7059
92	613802AY	* Shaft - U7055, U7057, U7059

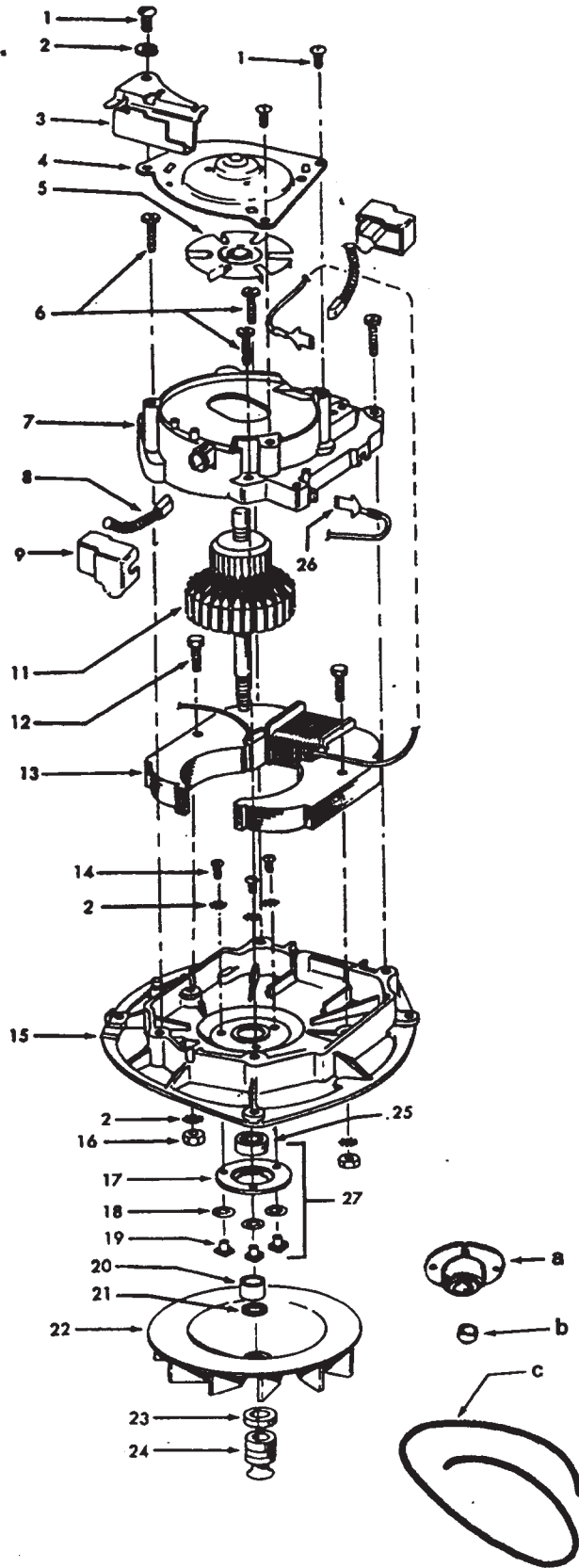
ITEMS NOT ILLUSTRATED

11064JM	Bellows - U7039, U7041
13704	* Lock Washer (Handle Bolt)
25084	+ Plug (3 Wire) - U7039, U7043, U7055
161889	Support Tube - U7039, U7041
36215021	Cord Retainer - Formed (Bail) U7055, U7057, U7059
36215002	+ Lead Wire Protector (Bail) - U7055, U7057, U7059

Ref. No.	Part No.	Description
	48646050	+ Handle Comp. - U7039, U7041, U7043, U7045, U7047
	48646054	+ Handle Comp. - U7055, U7057, U7059

PACKAGING MATERIAL

58173039	+ Carton - Common
58343025	Front Support
58366012	Rear Support
56511054	+ Owner Manual - U7039, U7041
56511069	+ Owner Manual - U7043, U7045
56511068	+ Owner Manual - U7047
56511113	+ Owner Manual - U7055, U7057
56511114	+ Owner Manual - U7059



Motor 43574140
2-Speed w/Guide
w/Light Socket

43574136 + Motor 1 -Speed

Ref. No.	Part No.	Description
1	45533AY	+* Screw
2	14062	* Washer
3	41961009	Indicator Guide
4	42934002	Upper Motor Bearing
5	38755004	Fan
6	161535	* Screw
7	19857	+ Upper Motor Case
8	47318012	Carbon brush
9	36315003	Brush Insulator
11	44765085	Armature
12	45118	* Bolt
13	45412017	Field Coil - 2 - Spd.
	45412015	Field Coil -1 - Spd.
14	21772501	* Screw
15	42193006	Lower Motor Case
16	15673	* Nut
17	32184003	Retainer
18	19772	* Washer
19	45251	* Nut
20	31731002	Spacer
21	166563	* Washer
22	38755011	Fan - Poly
23	31162004	* Washer - Insulator
24	38532009	Motor Pulley
25	24152807	Bearing
26	14320	* Terminal
27	43267006	Bearing Kit

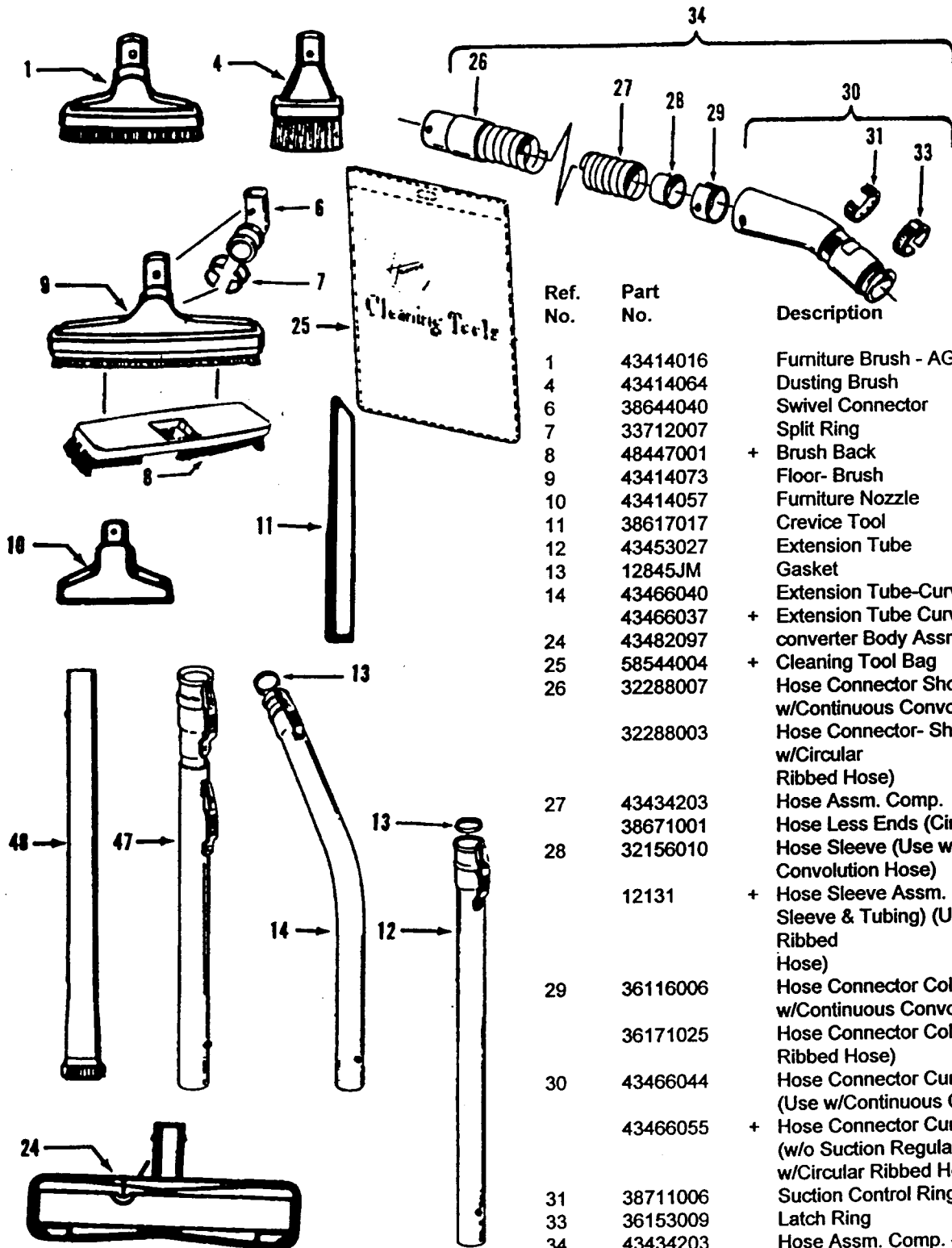
EARLY MODELS

A	19829	Bearing Kit
B	163059	+ Spacer
c	47232	Gasket - (Lower Case)

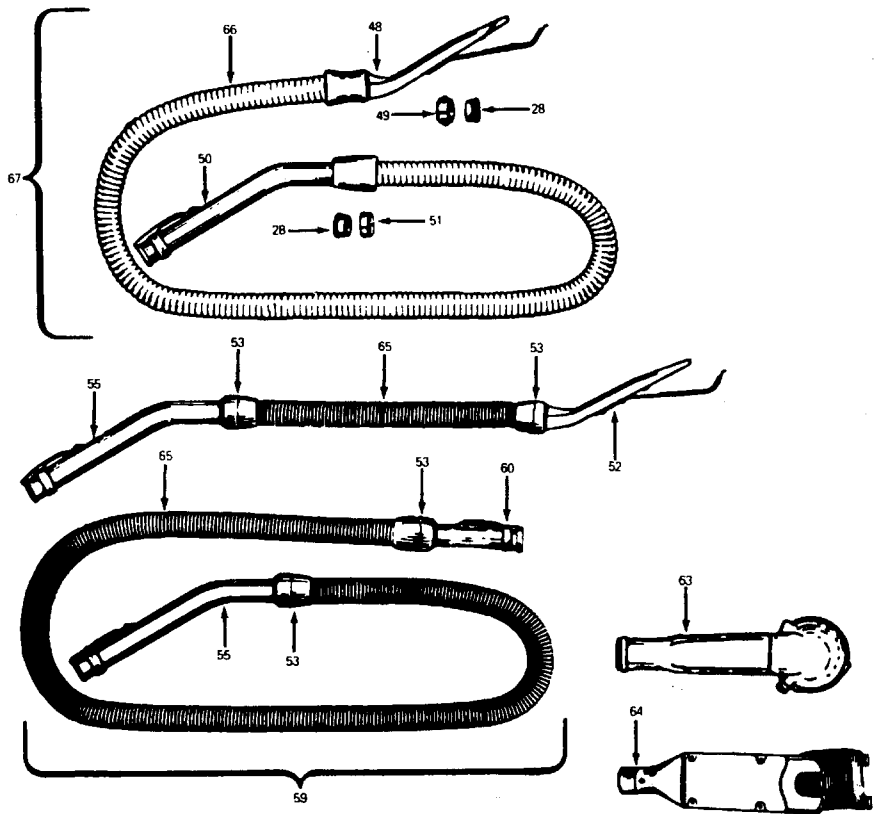
ITEMS NOT ILLUSTRATED

35276006	Indicator Guide Spring
40300014	Armature Spacer/Split Sleeve Kit (For use with Lower Mtr. Brgs. with 4 Attachment Holes)

Cleaning Tools



Ref. No.	Part No.	Description
1	43414016	Furniture Brush - AG
4	43414064	Dusting Brush
6	38644040	Swivel Connector
7	33712007	Split Ring
8	48447001	+ Brush Back
9	43414073	Floor- Brush
10	43414057	Furniture Nozzle
11	38617017	Crevice Tool
12	43453027	Extension Tube
13	12845JM	Gasket
14	43466040	Extension Tube-Curved - 17
	43466037	+ Extension Tube Curved - 22
24	43482097	converter Body Assm.
25	58544004	+ Cleaning Tool Bag
26	32288007	Hose Connector Short (Use w/Continuous Convolution Hose)
	32288003	Hose Connector- Short (Use w/Circular Ribbed Hose)
27	43434203	Hose Assm. Comp.
	38671001	Hose Less Ends (Circular- Ribbed)
28	32156010	Hose Sleeve (Use w/Continuous Convolution Hose)
	12131	+ Hose Sleeve Assm. (Includes Hose Sleeve & Tubing) (Use w/Circular Ribbed Hose)
29	36116006	Hose Connector Collar (Use w/Continuous Convolution Hose)
	36171025	Hose Connector Collar (Use w/Circular Ribbed Hose)
30	43466044	Hose Connector Curved w/Rings AAP (Use w/Continuous Convolution Hose)
	43466055	+ Hose Connector Curved w/Latch Ring (w/o Suction Regulator) (Use w/Circular Ribbed Hose)
31	38711006	Suction Control Ring
33	36153009	Latch Ring
34	43434203	Hose Assm. Comp. - Front Conversion (Continuous Convolutions)(w/o Suction Regulator)
	43434209	Hose Assm. Comp. - Front Conversion Circular Ribbed w/o Suction Regulator
47	43458001	Extension Tube
48	3863801P	Extension Tube - Poly - AG



Ref. No.	Part No.	Description
28	32156010	Sleeve
48	13147JM	+ Converter
49	12615BZ	Hose Converter Collar
50	43468018	Hose Tube Curved
51	12704BZ	Hose Grip Collar
52	23473JM	+ Converter
53	23393JM	Hose Grip
55	13143	Hose Tube Curved
59	22671JM	+ Hose Comp. - Ultraflex (Commercial) (Use w/Converter 34202 or 35190)
60	34355	+ Hose End Short
63	35190	Converter (Use w/Hose 22671)

Ref. No.	Part No.	Description
64	34202JM	+ Converter (Use w/Hose 22671)
65	48617 JM	+ Hose Less Ends
66	43434213	Hose Less Ends
67	12864JM	+ Hose Assm. Comp.- Tufflex (Standard Rear Conversion)

ITEMS NOT ILLUSTRATED

169460JM	+ Ultraflex Hose - 50' length
43431011	+ Tufflex Hose - 50' length