

Models 91, 913, 918, U7037

Ref. No.	Part No.	Description
1	42247560	+ Motor Hood Guard
2	52115519	+ Nameplate
3	42252521	+ Motor Hood
4	21479301	+ Screw (4)
5	22368011	+* Screw (7)
6	14062	* Lock Washer (4)
7	165107	+ Jumper Lead - Green
8	32227504	+ Screw
9	41412511	+ Handle Socket Assm.
10	163298	+ Handle Socket & Leads
11	163311	+ Phenolic Tubing
12	45433	+ Motor Lead Spring
13	23369001	+* Screw (2)
14	23369005	+ Lock Washer (2)
15	46034	+* Handle Socket Lock Ring (2)
16	701293	+ Handle Support Spring
17	800533	+ Handle Support Spring Bushing
18	800535	+ Handle Support Shaft
19	904234	+ Screw
20	19772	* Lock Washer
21	21771	+ Motor Felt Gasket
22	45481	* Retainer (6)
23	652541	* Handle Control Lever Spring
24	652359	+ Handle Control Lever Shaft
25	661021	+* Screw (2)
26	33491	+ Bag Flange Latch Assm
27	42242531	+ Main Casting/Shroud Comp.
28	45404	+ Bag Flange & Gasket Assm.
29	15854EF	* Nut - Special
30	17206	* Screw
31	43674025	+ Outer Bag
32	43362	+ Bag Closure Clip & Spring
33	38336014	Bag Support Spring
34		Not Available
35	162237	+* Nut (2)

Ref. No.	Part No.	Description
36	164380	+* Rivet (4)
37	32858	Rear Wheel (2)
38	45427AW	+ Hub Cap (4)
39	652769	Rear Wheel Shaft
40	35054AG	Bag Protector
41	45355	+ Screw (4)
42	652778	Nozzle Adj. Bracket
43	22368012	+ Screw (2)
44	33445003	+ Front Wheel Shaft (2)
45	800864	Front Wheel (Bakelite) (2)
	32857	Front Wheel (Rubber) (2)
46	34758503	+ Belt Guard
47	808871	+ Bottom Plate Gasket
48	21256118	+ Rivet (2)
49	42246503	Bottom Plate Comp.
50	800530	Rear Wheel Shaft Clamp (2)
51	41436502	End Plate Support - R.H.
52	41436501	End Plate Support - L.H.
53	49258AG	Belt
54	21256203	+* Rivet (9)
55	36235512	+ Shroud
56	33461	+ Lead Wire Holder
57	900505	+* Screw (4)
58	22368008	+* Screw
59	16586AY	+* Lock Washer
60	652357	Handle Control Lever
61	38411502	+ Handle Control Lever Foot Pad
62	47171501	+ Dirt Finder Socket Assm.
63	42241	Dirt Finder Lamp
64	22362001	+ Screw (2)

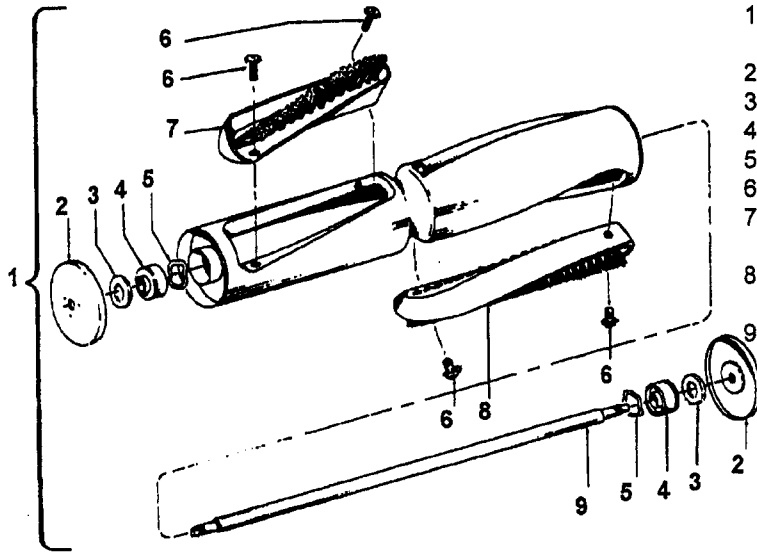
HANDLE ASSM. - (P - 34)

AGITATOR ASSM. - (P-36)

MAIN CASTING - MODEL 918 (P- 13)

Agitator

Models 91, 913, 918, U7037



Ref. No.	Part No.	Description
1	48414002 166949	+ Agitator - 4B - w/Brushes Agitator - 2B - w/o Brushes
2	40850AY	Thread Guard
3	13010	* Felt Washer
4	12978	Bearing
5	21347003	* Washer
6	46875	* Screw
7	47160 86679	Brush - Short - Nylon + Brush - Short - Horsehair
8	47159 86680	Brush - Long - Nylon Brush - Long - Horsehair
9	40865	+ Shaft

Original Agitator Brushes for Early Model Agitators.



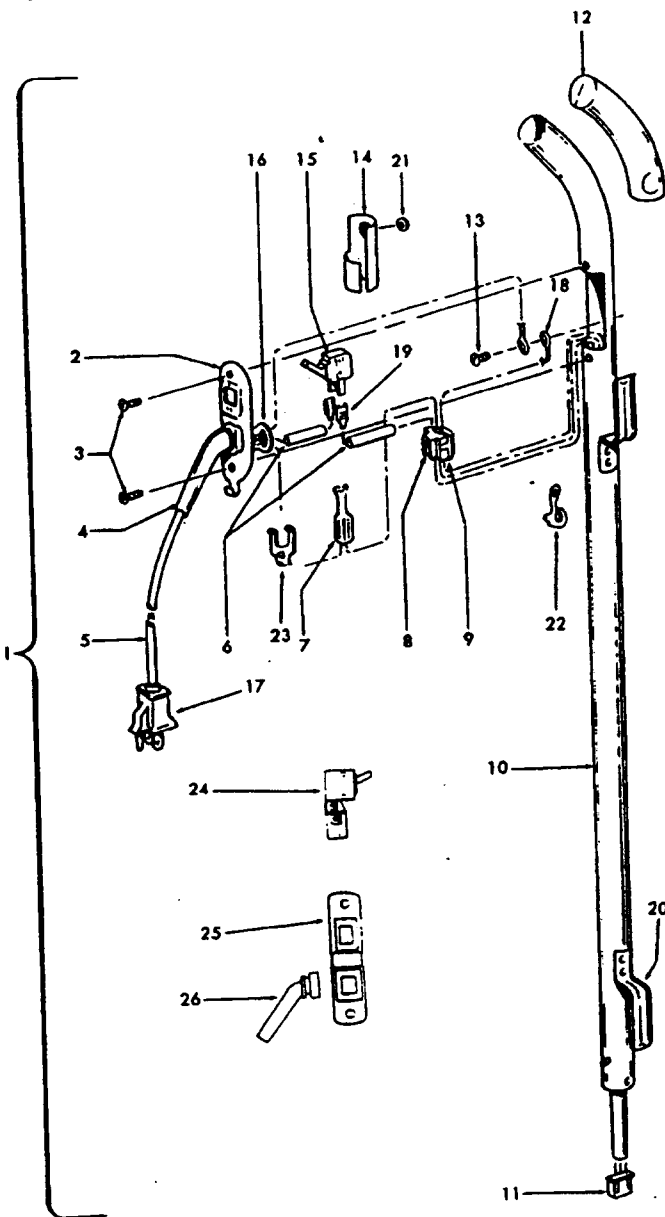
- 33451 + Brush - Long - Horsehair
- 33452 + Brush - Short - Horsehair
- 47421 + Brush - Long - Nylon
- 47422 + Brush - Short - Nylon



- 82667 + Brush - Long - Horsehair
- 82668 + Brush - Short - Horsehair
- 32988 Brush - Long - Nylon
- 32987 + Brush - Short - Nylon

Handle Assembly

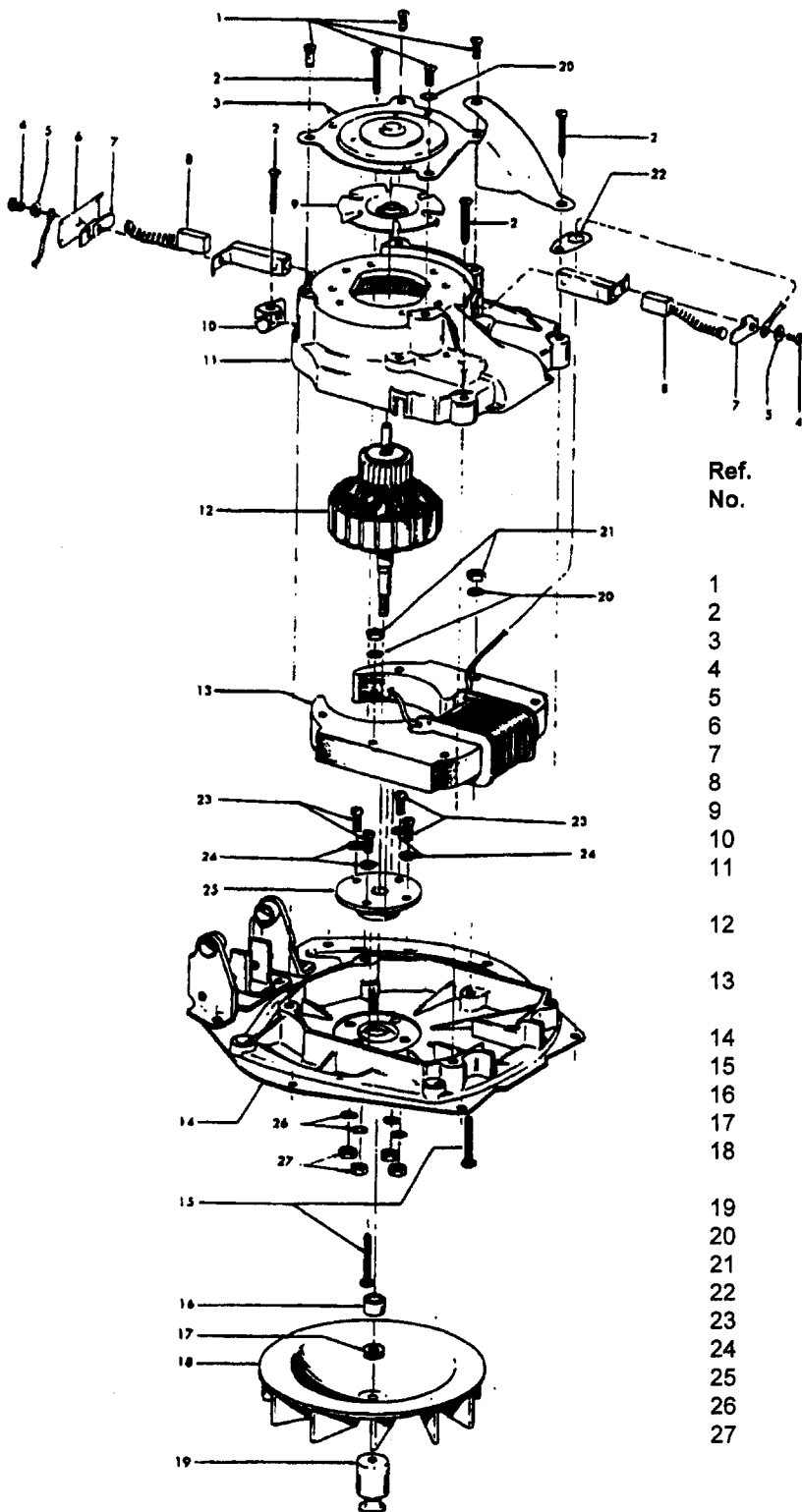
Models 91, 913, 918, U7037



Ref. No.	Part No.	Description
1	22685AG	+ Handle Comp. - 2W
	48655050	+ Handle Comp. - AG - 3W
2	23138AW	Switch Plate
3	21465314	* Screw
4	31969AG	Cord Protector
5	46583148	Cord - AAW - 3W - 50 ft.
	46583031	Cord
	46383137	Cord - NM - 2W - 35 ft.
6	161935JM	+* Tubing
7	12227	Insulated Terminal
8	12260	+ Strain Relief Body
9	12261	+ Strain Relief Lock
10	48646060	+ Handle Shell - AG
11	163297	+ Socket - 3W
	34484JM	+ Socket - 2W
12	23458AG	Handle Grip
13	168317	+* Screw
14	12272	+ Insulating Sleeve
15	12971	Switch - Slip Terminal
16	18676	Retainer
17	25084	+ Service Plug - 3W
	35380	Service Plug - 2W
18	27661503	* Terminal
19	160356	* Terminal
20	34485JM	+ Cord Clip
21	13008	* Pad
22	42330	+ Bag Hook
23	12988	+* Retainer
24	12971	Switch - Screw Terminal
25	803492	Switch Plate - Coated
26	815398	+ Cord Protector - Square Neck

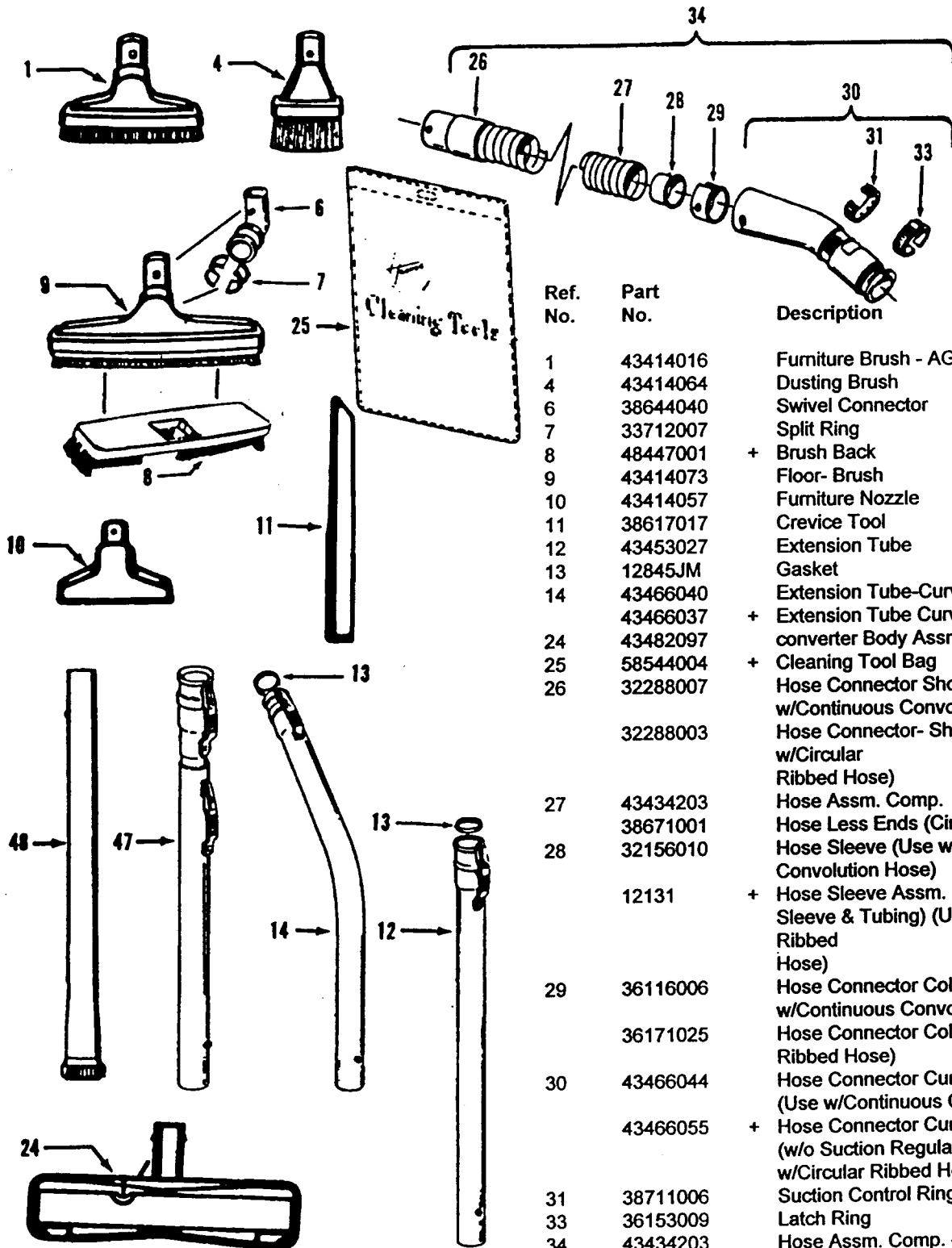
Motor 43177525 (Metric)

Models 91, 913, 918, U7037

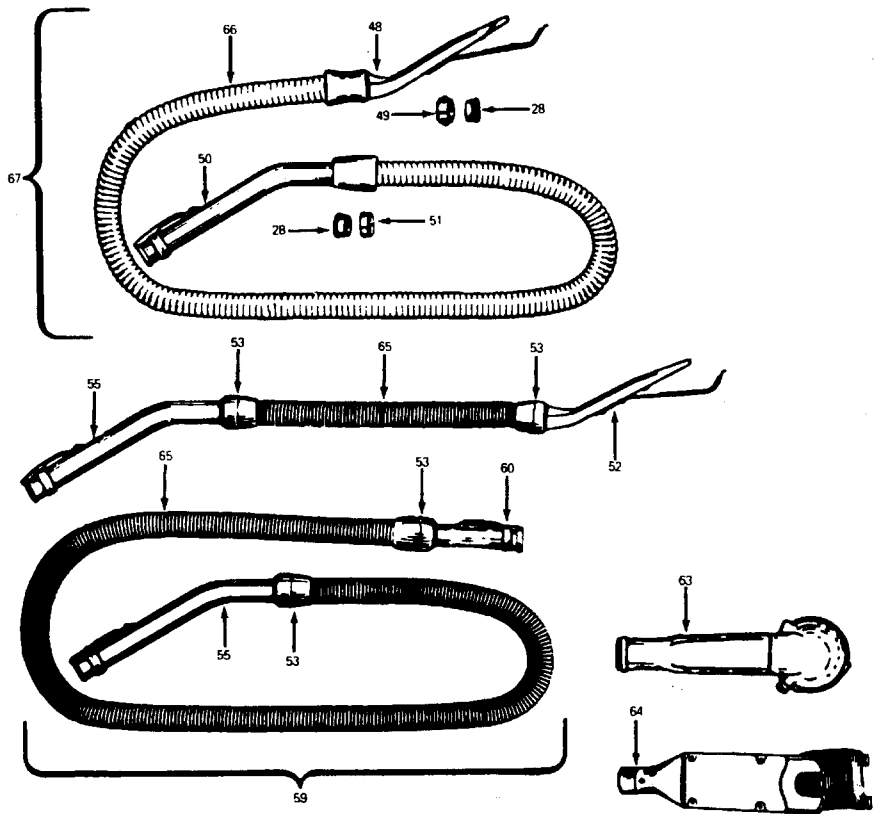


Ref. No.	Part No.	Description
	43177558	Motor Comp. - Less Fan
1	21479301	+ Screw
2	900505	+* Screw
3	42934002	Upper Motor Bearing
4	23369002	+* Screw
5	900047	* Lock Washer
6	800811	+* Brush Holder Insulator
7	808647	+ Carbon Brush Retainer
8	47318502	Carbon Brush & Spring
9	11145	+ Ventilating Fan
10	701525	+ Motor Lead Spring Holder
11	42195504	Upper Motor Casing & Brush Holder
	19857	+ Upper Motor Case - 91
12	640361	Armature
	21653	Armature - 91
13	45412506	Field
	45412015	Field - 91
14	655486	+ Lower Motor Casing
15	45118	* Field Bolt
16	11155	Fan Spacer
17	169241AW	* Washer
18	38755011	Fan
	22556	+ Fan - 91
19	801130	+ Fan Pulley
20	14062	* Lock Washer
21	15673	* Hex Nut
22	45517	Lead Wire Holder
23	21772501	* Screw
24	14062	* Washer
25	19829	Lower Bearing
26	19772	* Washer
27	45251	Nut

Cleaning Tools



Ref. No.	Part No.	Description
1	43414016	Furniture Brush - AG
4	43414064	Dusting Brush
6	38644040	Swivel Connector
7	33712007	Split Ring
8	48447001	+ Brush Back
9	43414073	Floor- Brush
10	43414057	Furniture Nozzle
11	38617017	Crevice Tool
12	43453027	Extension Tube
13	12845JM	Gasket
14	43466040	Extension Tube-Curved - 17
	43466037	+ Extension Tube Curved - 22
24	43482097	converter Body Assm.
25	58544004	+ Cleaning Tool Bag
26	32288007	Hose Connector Short (Use w/Continuous Convolution Hose)
	32288003	Hose Connector- Short (Use w/Circular Ribbed Hose)
27	43434203	Hose Assm. Comp.
	38671001	Hose Less Ends (Circular- Ribbed)
28	32156010	Hose Sleeve (Use w/Continuous Convolution Hose)
	12131	+ Hose Sleeve Assm. (Includes Hose Sleeve & Tubing) (Use w/Circular Ribbed Hose)
29	36116006	Hose Connector Collar (Use w/Continuous Convolution Hose)
	36171025	Hose Connector Collar (Use w/Circular Ribbed Hose)
30	43466044	Hose Connector Curved w/Rings AAP (Use w/Continuous Convolution Hose)
	43466055	+ Hose Connector Curved w/Latch Ring (w/o Suction Regulator) (Use w/Circular Ribbed Hose)
31	38711006	Suction Control Ring
33	36153009	Latch Ring
34	43434203	Hose Assm. Comp. - Front Conversion (Continuous Convolutions)(w/o Suction Regulator)
	43434209	Hose Assm. Comp. - Front Conversion Circular Ribbed w/o Suction Regulator
47	43458001	Extension Tube
48	3863801P	Extension Tube - Poly - AG



Ref. No.	Part No.	Description
28	32156010	Sleeve
48	13147JM	+ Converter
49	12615BZ	Hose Converter Collar
50	43468018	Hose Tube Curved
51	12704BZ	Hose Grip Collar
52	23473JM	+ Converter
53	23393JM	Hose Grip
55	13143	Hose Tube Curved
59	22671JM	+ Hose Comp. - Ultraflex (Commercial) (Use w/Converter 34202 or 35190)
60	34355	+ Hose End Short
63	35190	Converter (Use w/Hose 22671)

Ref. No.	Part No.	Description
64	34202JM	+ Converter (Use w/Hose 22671)
65	48617 JM	+ Hose Less Ends
66	43434213	Hose Less Ends
67	12864JM	+ Hose Assm. Comp.- Tufflex (Standard Rear Conversion)

ITEMS NOT ILLUSTRATED

169460JM	+ Ultraflex Hose - 50' length
43431011	+ Tufflex Hose - 50' length