

**Models U7019, U7021, U7033**

Ref. No.	Part No.	Description	Ref. No.	Part No.	Description
1	43675131	+ Outer Bag Comp .	45	47450AY	Pivot Pin
2	38336014	Bag Support Spring	46	38456050	Handle Control Lever
3	43362	+ Bag Closure Clip & Spring		43137036	Handle Control Lever - U7033
4	43675131	Outer Bag	47	163059	+ Fan Spacer
5	21765159	* Screw - Machine	48	169241AW	* Washer
6	161889	Support Tube	49	12559FW	Handle Control Lever Spring
7	11064JM	Bellows	50	34344FW	+ Bag Flange Retaining Spring
8	41424011	Bag Flange & Gasket	51	16903	* Screw - Self Tapping (2)
9	47454	+ Bag Flange Gasket	52	32242004	* Rivet - Tubular (6)
10	15854EF	* Nut Special	53	36231037	Furniture Guard -AG
11	21481273	* Screw - Self Tapping (2)		36231038	Furniture Guard - U7033
12	37954001	Bail Cover Plate	54	13730	* Lock Ring (2)
13	165371	+ Strain Relief	55	34791AG	Carrier Wheel (2)
	27482120	Strain Relief - U7033	56	47457AY	Carrier Wheel Shaft (2)
14	34223004	Strain Relief Mounting Plate - U7019 U7021	57	13730	* Lock Ring (3)
	34223007	+ Strain Relief Mounting Plate - U7033	58	161509AY	Bail Shaft
15	166735EF	+ Screw - Self Tapping Not Applicable - U7033	59	17207AZ	* Spring Lock Ring (2)
16	27661503	* Ring Tongue Terminal (4) Not Applicable - U7033	60	21312772	* Washer (4)
17	46583031	Cord - U7021	61	38521041	Rear Wheel Assm. - AG (2)
	46383068	Attach. Cord - U7019	62	31148004	* Spacer
	46383137	Attach. Cord - U7033	63	161514	+ Cam Follower Assm.
18	12227	Insulated Terminal (3)	64	33152003	Rear Wheel Shaft
19	48646054	Handle Assm.	65	34252005	* Yoke
	48644022	+ Handle Assm. Comp. - Upper H U7033	66	161513	Spring
20	23458AG	Handle Grip	67	48422	* Rivet - Tubular (4)
	23458PH	Handle Grip - U7033	68	34355002	Agitator Support Plate (2)
21	14492	Cord Clamp	69	32243001	* Agitator Clamp Support Rivet (2)
22	48294AW	Handle Bolt & Nut (2)	70	47259AY	Agitator Clamp Spring (2)
23	48631057	Handle Assm. - Lower Half	71	36435016	+ Converter Housing - U7019, U7033
	48631006	Handle Assm. Comp. - Lower H - U7033	72	45191	Converter Valve Spring
24	27479307	* Lead Wire Tie (2)	73	34350	Converter Valve
25	46213006	Lead Wire Assm. - White	74	17465AY	+ Converter Valve Shaft
	46171003	+ Lead Wire - White - U7033	75	35446003	Bottom Plate Latch - R.H.
26	37911035	Handle Plug - AG	76	12456	+* Rivet - Tubular (2)
27	31727010	Cord Cover Tubing - AG	77	35446005	Bottom Plate Latch - L.H.
28	38313023	Motor Lead Spring	78	34111001	* Support Pad (2)
29	12560	* Switch Nut	79	167238	+ Bottom Plate Assm.
30	28212017	Switch	80	47237	+* Converter Valve Felt
31	41416010	Bail - AG	81	31718001	Bottom Plate Seal
32	161507	+* Washer	82	41435005	Agitator Assm. Comp.
33	38426071	Foot Pad (2)	83	44783AG	Belt
	38426072	+ Foot Pad (2) - U7033	84	51661008	+ Medallion
34	161511AY	Nozzle Adj. Lever	85	34439	Bottom Plate Spring
	43137013	+ Nozzle Adj. Lever - U7033	86	161882	+* Rivet - Tubular
35	11735	Roller Detent Assm.	87	42242062	Main Casting
36	19907	Bag Flange Clamp Lever		42242064	Main Casting - Polished - U7033
37	48409FW	Bag Flange Clamp Lever Spring	88	38755011	Fan - Polycarbonate (Black)
38	35463002	Handle Retainer Plate - AW		22556	+ Die Cast (Aluminum)
39	34665007	Pivot Pin Retainer (2)	89	38532009	Motor Pulley (Use w/Item 88 - 38755011)
40	21767082	* Machine Screw (5)	90	15673	* Nut (2)
41	46214002	+ Lead Wire Assm. - Green Not Applicable - U7033	91	21772501	* Screw (4)
42	45355	+ Screw - Machine (3)	92	14062	* Lock Washer (6)
43	14279	+* Screw Assm.	93	45251	Nut (4)
44	46128002	+ Jumper Lead - Green Not Applicable - U7033	94	19772	* Washer (4)
			95	47232	Motor Gasket (Use w/Item 96 - 11062)
			96	42193006	Motor Casing - Lower Half w/Sealant
				11062	+ Motor Casing - Lower Half
			97	19829	Motor Bearing
			98	45412014	+ Field - U7033

Ref. No.	Part No.	Description
	45412015	Field - U7021
	45415001	Field - U7019
99	45533AY	+* Screw - Machine (4)
100	45118	* Bolt (2)
101	44755002	+ Armature Assm. - U7019
	44765085	Armature Assm.
102	19857	+ Motor Casing & Brush Holder Assm.
103	161535	* Screw - Self Tapping (4)
104	47318012	Motor Brush Assm. (2)
105	36315003	Motor Brush Holder Insulator (2)
106	46930AZ	+* Screw - Self Tapping (2)
107	42934002	Motor Casing Cap Assm.
108	38755004	Fan Assm.
109	16125AY	+ Fastener (2)
110	42251325	Motor Hood Assm. - AAW
	161649JM	Hood & Lens Assm. - U7033 (Order Lens # 16295CA)

NOTE: Model U7033 Din Finder Lamp - Switch Components  
Refer to Model U4057, U4059, U4061 - U4063 Schematics

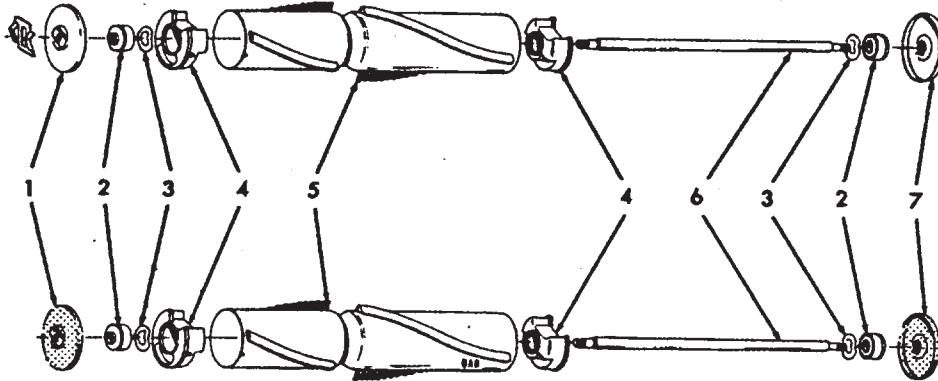
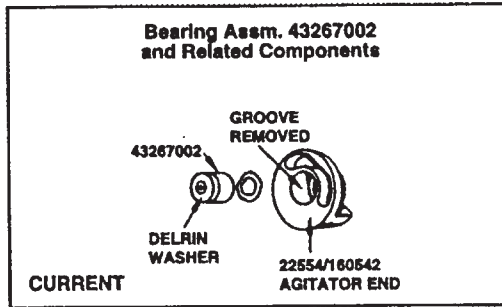
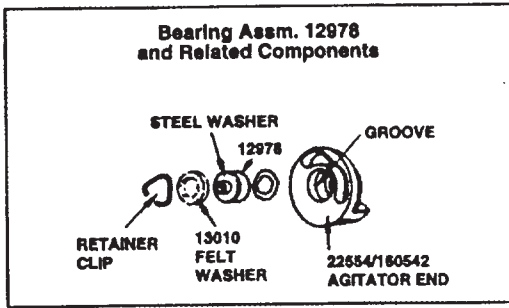
29	164684	+ Insulation Shield
35	12892	* Screw
36	14287	+* Washer
37	19513AG	Speed Control Switch
38	14279	+* Screw Assm.
39	18589	+ Switch Bracket
40	45355	+ Screw
41	18588	+ Switch Actuator
42	42241	Dirt Finder Lamp
43	17016	Dirt Finder Socket Assm.
111	162954CA	Lens

ITEMS NOT ILLUSTRATED

25084	+ Plug (3 Wire) - U7019
43574193	Motor Assm. Comp. - U7021 (P. 22)
43574140	Motor Assm. Comp. - U7033 (P.27)
43574008	+ Motor Assm. Comp. - U7019 (P28)
31162004	* Washer - Heat Insulating (Use in conjunction w/Item 88 - 3875501 0)
68564063	Sealant (3 oz. tube, Seal for Motor Casing - Lower Half)
40300014	Armature Spacer/Split Sleeve Kit (For use with Lower Mtr. Brgs. with 4 Attachment Holes)

PACKAGING MATERIAL

56511013	+ Owner Manual
56511038	+ Owner Manual - U7033



Ref. No.	Part No.	Description
1	49180	Thread Guard & Spring (Metal)
	36423003	+ Thread Guard L.H. (Molded)
2	43267002	Bearing
3	21347003	* Thrust Washer
4	22554	Agitator End (Early Model Standard Performance Cleaners, L.H. Helix)
	160542	Agitator End (Standard & High Performance Cleaners, R.H. Helix)
	41435070	Agitator End (Use w/two brush agitator Pt. #48414021)
5	12998BZ	Agitator Brush - 8 mil (Early Model Standard Performance Cleaners, L.H. Helix)
	160646BZ	Agitator Brush - 8 mil (Standard Performance Cleaners, R.H. Helix)
	48445001	Agitator Brush - 11 mil (High Performance Cleaners, R.H. Helix)
6	12981	+ Agitator Shaft (Used w/metal thread guards)
	32724008	Agitator Shaft (Used w/molded thread guards)
7	12985AY	Thread Guard R.H. (Metal)
	36423007	+ Thread Guard R.H. (Molded)

AGITATOR BELT

49258AG	Domestic models, Convertible/Decade 80/Heavy Duty Commercials
44783AG	Lightweight Commercials

AGITATOR ASSEMBLY

169371MF	+ Standard Performance, R.H. Helix (Metal Thread Guards)
41435005	High Performance Cleaners, R.H. Helix (Metal Thread Guards w/Spdng)
48414006	+ High Performance Cleaners, R.H. Helix (Metal Thread Guards)
48414007	+ Standard Performance, R.H. Helix (Molded Thread Guards)

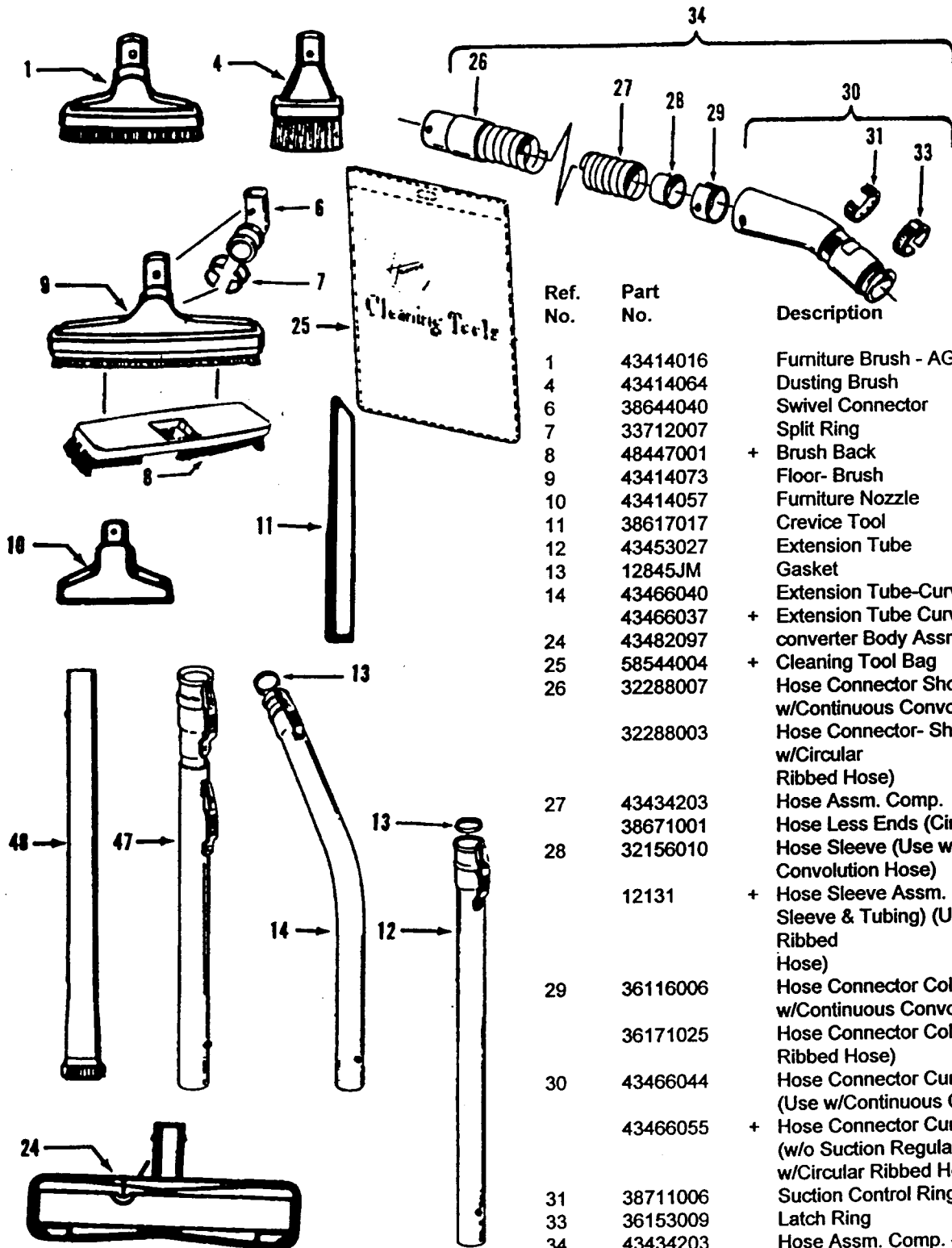
FOUR BRUSH AGITATOR ASSEMBLY

48414002	+ Heavy Duty Commercial (Use 47159 Brush-Long, 47160 Brush-Short & 46875 Sems Fastener)
48414003	Lightweight Commercial (Use 160646BZ Brush & 36422003 Agitator End)

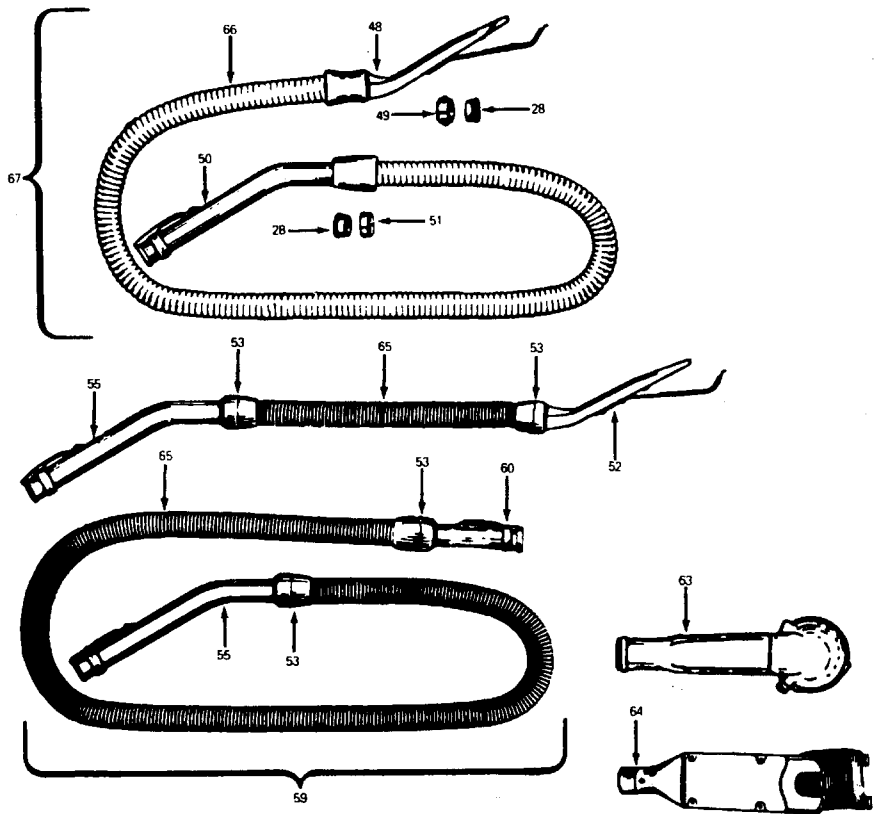
TWO BRUSH W/O BEATER BAR

48414021	Agitator (Molded Thread Guards)
----------	---------------------------------

# Cleaning Tools



Ref. No.	Part No.	Description
1	43414016	Furniture Brush - AG
4	43414064	Dusting Brush
6	38644040	Swivel Connector
7	33712007	Split Ring
8	48447001	+ Brush Back
9	43414073	Floor- Brush
10	43414057	Furniture Nozzle
11	38617017	Crevice Tool
12	43453027	Extension Tube
13	12845JM	Gasket
14	43466040	Extension Tube-Curved - 17
	43466037	+ Extension Tube Curved - 22
24	43482097	converter Body Assm.
25	58544004	+ Cleaning Tool Bag
26	32288007	Hose Connector Short (Use w/Continuous Convolution Hose)
	32288003	Hose Connector- Short (Use w/Circular Ribbed Hose)
27	43434203	Hose Assm. Comp.
	38671001	Hose Less Ends (Circular- Ribbed)
28	32156010	Hose Sleeve (Use w/Continuous Convolution Hose)
	12131	+ Hose Sleeve Assm. (Includes Hose Sleeve & Tubing) (Use w/Circular Ribbed Hose)
29	36116006	Hose Connector Collar (Use w/Continuous Convolution Hose)
	36171025	Hose Connector Collar (Use w/Circular Ribbed Hose)
30	43466044	Hose Connector Curved w/Rings AAP (Use w/Continuous Convolution Hose)
	43466055	+ Hose Connector Curved w/Latch Ring (w/o Suction Regulator) (Use w/Circular Ribbed Hose)
31	38711006	Suction Control Ring
33	36153009	Latch Ring
34	43434203	Hose Assm. Comp. - Front Conversion (Continuous Convolutions)(w/o Suction Regulator)
	43434209	Hose Assm. Comp. - Front Conversion Circular Ribbed w/o Suction Regulator
47	43458001	Extension Tube
48	3863801P	Extension Tube - Poly - AG



Ref. No.	Part No.	Description
28	32156010	Sleeve
48	13147JM	+ Converter
49	12615BZ	Hose Converter Collar
50	43468018	Hose Tube Curved
51	12704BZ	Hose Grip Collar
52	23473JM	+ Converter
53	23393JM	Hose Grip
55	13143	Hose Tube Curved
59	22671JM	+ Hose Comp. - Ultraflex (Commercial) (Use w/Converter 34202 or 35190)
60	34355	+ Hose End Short
63	35190	Converter (Use w/Hose 22671)

Ref. No.	Part No.	Description
64	34202JM	+ Converter (Use w/Hose 22671)
65	48617 JM	+ Hose Less Ends
66	43434213	Hose Less Ends
67	12864JM	+ Hose Assm. Comp.- Tufflex (Standard Rear Conversion)

ITEMS NOT ILLUSTRATED

169460JM	+ Ultraflex Hose - 50' length
43431011	+ Tufflex Hose - 50' length