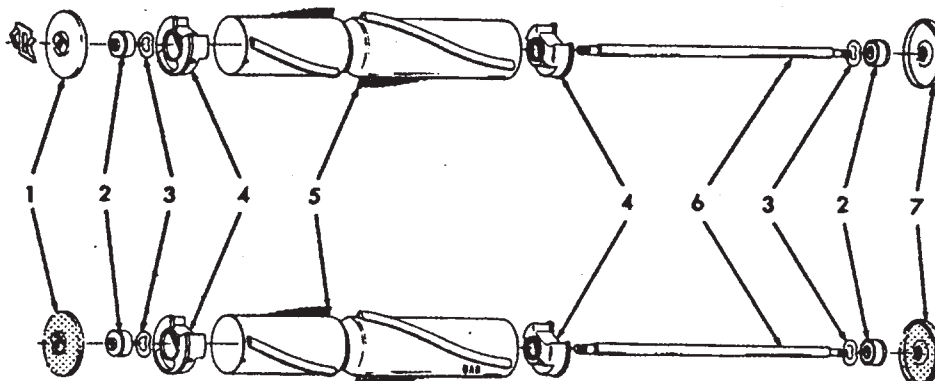
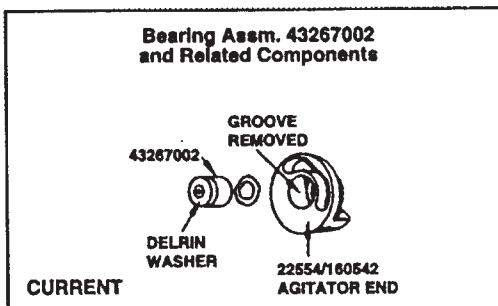
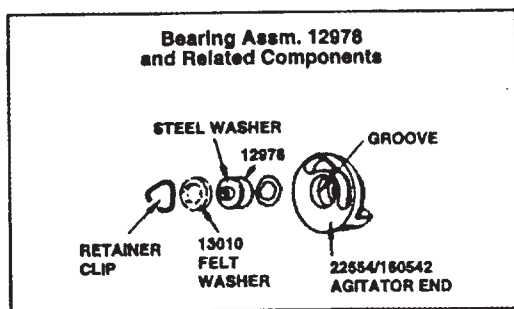


## Models U4125, U4313

Ref. No.	Part No.	Description	Ref. No.	Part No.	Description
1	23458PH	Handle Grip	51	11735	Roller Detent Assm.
3	46383137	Attach. Cord - T - U4125	52	48409FW	Bag Flange Clamp Lever Spring
	46583031	Cord - U4313	53	47450AY	Pivot Pin
4	25084	+ Plug - U4313	54	41416010	Bail - AG
5	48294AW	Handle Bolt & Nut - U4125	55	43137036	Handle Control Lever
	32277008	Nut - U4313	56	38426080	Foot Pad
6	13704	* Washer	57	613802AY	Shaft - U4125 after Ser. #45566 & U4313
7	36215021	Cord Protector - NM - U4313	58	35217006	Mounting Bracket - U4125 after Ser. #45566 & U4313
8	14492	Cord Clamp - (Plastic) - U4125	59	12560	* Switch Nut
	34785017	Cord Retainer Clip - (Metal) - U4313	60	14197	+* Terminal
9	48294AW	Handle Bolt & Nut - U4125	61	160472	+ Insulating Pod
	21631302	Bolt - U4313	62	38452028	Switch Actuator
10	48631006	Handle - Lower Half	63	23254001	* Screw
11	38424003	Switch Pedal - U4125 after Ser. #45566 & U4313	64	19513AG	Switch
12	24735022	* Circlip - U4125 after Ser. #45566 & U4313	65	48644022	+ Handle - Upper Half - AX (It's 5,6,8,9 Not Included)
13	37911035	Handle Plug	66	161649JM	Hood & Lens - (Order Lens # 16295CA)
14	28212017	Switch		42251297	+ Hood & Lens
15	35463002	Handle Retainer Plate - AW	67	162954CA	Lens
16	12227	Insulated Terminal - U4125	68	14279	+* Screw
	48969	* Wire Nut - U4313	69	34771001	Switch Bracket
17	36215002	+ Lead Wire Protector - U4125 after Ser. #45566 & U4313	70	17001FW	* Screw - U4313
18	37954001	Ball Cover Plate		45355	+ Screw - U4125
19	21481273	* Screw - Self Tapping	71	42241	Dirty Finder Lamp - U4125
20	38336014	Bag Support Spring		27313101	Dirty Finder Lamp - U4313
21	43677117	+ Outer Bag - Stripped - JM/ML	72	17016	Dirty Finder Socket Assm. - U4125
	43677322	Outer Bag - Checked - PH/DS		36912004	Dirty Finder Socket Assm. - U4313
22	43482058	+ Top Fill Tube & Seal (Shown)	73	45355	+ Machine Screw
	38657004	Top Fill Tube (Push on Type)	74	43574140	Motor - U4125, U4313
23	4010001A	Throw Away Bag (3 Pack)	75	12559FW	Handle Control Lever Spring
24	43678330	Outer Bag Comp. -Common	76	21767082	* Machine Screw
	43678307	+ Outer Bag Comp. - Checked - PH/DS	77	34665007	Pivot Pin Retainer
25	21765159	* Screw - Machine	78	13730	* Lock Ring (2)
26	38673009	Bellows	79	47457AY	Carrier Wheel Shaft (2)
27	41424011	Bag Flange & Gasket	80	34791AG	Carrier Wheel (2)
28	15854EF	* Nut	81	42242064	Main Casting - Polished
29	13730	* Lock Ring (3)	82	36231038	Furniture Guard - PH
30	27479307	* Lead Wire Tie	83	48422	* Rivet - Tubular (4)
31	23187363	Screw - Sems	84	34355002	Agitator Support Plate (2)
32	27661503	* Ring Terminal - U4313	85	32243001	* Agitator Support Rivet (2 Req.)
33	34223004	Strain Relief Mounting Plate	86	47259AY	Agitator Clamp Spring (2)
34	39049	Strain Relief	87	161882	+* Rivet Tubular
35	19907	Bag Flange Clamp Lever	88	34439	Bottom Plate Spring
36	31727010	Cord Cover Tubing	89	49258AG	Belt
37	161507	+* Washer (Use w/Metal Nozzle Adj. Lever)	90	41435005	Agitator
38	38426071	Foot Pad - U4125	91	35446005	Bottom Plate Latch - L.H.
	38426072	+ Foot Pad - U4313	92	34111001	* Support Pad (2)
39	43137013	+ Nozzle Adj. Lever - U4125	93	42246008	Bottom Plate
	161571JM	Nozzle Adj. Lever - Metal (Use w/161514 Cam Follower) - U4313	94	12456	+* Rivet - Tubular (2)
	38452051	Nozzle Adj. Lever - Plastic (Use w/43263003 Cam Follower) - U4313	95	35446003	Bottom Plate Latch - R.H.
40	161509AY	Bail Shaft	96	16903	* Screw - Self Tapping (2) (Use on Hoods w/Capserts)
41	17207AZ	* Lock Ring - Metal (2) (Use w/33141015)		21447020	* Screw - Self Tapping (2) (Use on Hoods w/o Capserts)
	32182001	* Wheel Retainer - Plastic (2) - (Use w/33152003)	97	35434040	Axle / Bag Flange Retainer
42	21312772	* Washer - Use 1 w/33152003; Use 4 w/33141015	ITEMS NOT ILLUSTRATED		
43	38521041	Rear Wheel		51661008	+ Medallion - U4125
44	31148004	* Spacer		36215021	Cord Retainer - Formed (Bail) - U4125 after Ser. #45566
45	161514	+ Cam Follower - Metal (Use w/43137013 & 161571JM)	PACKAGING MATERIAL		
	43263003	Cam Follower - Plastic (Use w/38452051)		58173039	+ Carton - Common
46	34252005	* Yoke		58343025	Front Support
47	33141015	+ Rear Wheel Shaft (Use w/17207AZ Lock Ring)		58366012	Rear Support
	33152003	Rear Wheel Shaft (Use w/32182001 Wheel Retainer)		56511053	+ Owner Manual - U4125
48	161513	Spring		56511150	+ Owner Manual - U4313
49	32242004	* Rivet - Tubular (6)			
50	38313023	Motor Lead Spring			



Ref. No.	Part No.	Description
1	49180	Thread Guard & Spring (Metal)
	36423003	+ Thread Guard L.H. (Molded)
2	43267002	Bearing
3	21347003	* Thrust Washer
4	22554	Agitator End (Early Model Standard Performance Cleaners, L.H. Helix)
	160542	Agitator End (Standard & High Performance Cleaners, R.H. Helix)
	41435070	Agitator End (Use w/two brush agitator Pt. #48414021)
5	12998BZ	Agitator Brush - 8 mil (Early Model Standard Performance Cleaners, L.H. Helix)
	160646BZ	Agitator Brush - 8 mil (Standard Performance Cleaners, R.H. Helix)
	48445001	Agitator Brush - 11 mil (High Performance Cleaners, R.H. Helix)
6	12981	+ Agitator Shaft (Used w/metal thread guards)
	32724008	Agitator Shaft (Used w/molded thread guards)
7	12985AY	Thread Guard R.H. (Metal)
	36423007	+ Thread Guard R.H. (Molded)

AGITATOR BELT

49258AG	Domestic models, Convertible/Decade 80/Heavy Duty Commercials
44783AG	Lightweight Commercials

AGITATOR ASSEMBLY

169371MF	+ Standard Performance, R.H. Helix (Metal Thread Guards)
41435005	High Performance Cleaners, R.H. Helix (Metal Thread Guards w/Spdng)
48414006	+ High Performance Cleaners, R.H. Helix (Metal Thread Guards)
48414007	+ Standard Performance, R.H. Helix (Molded Thread Guards)

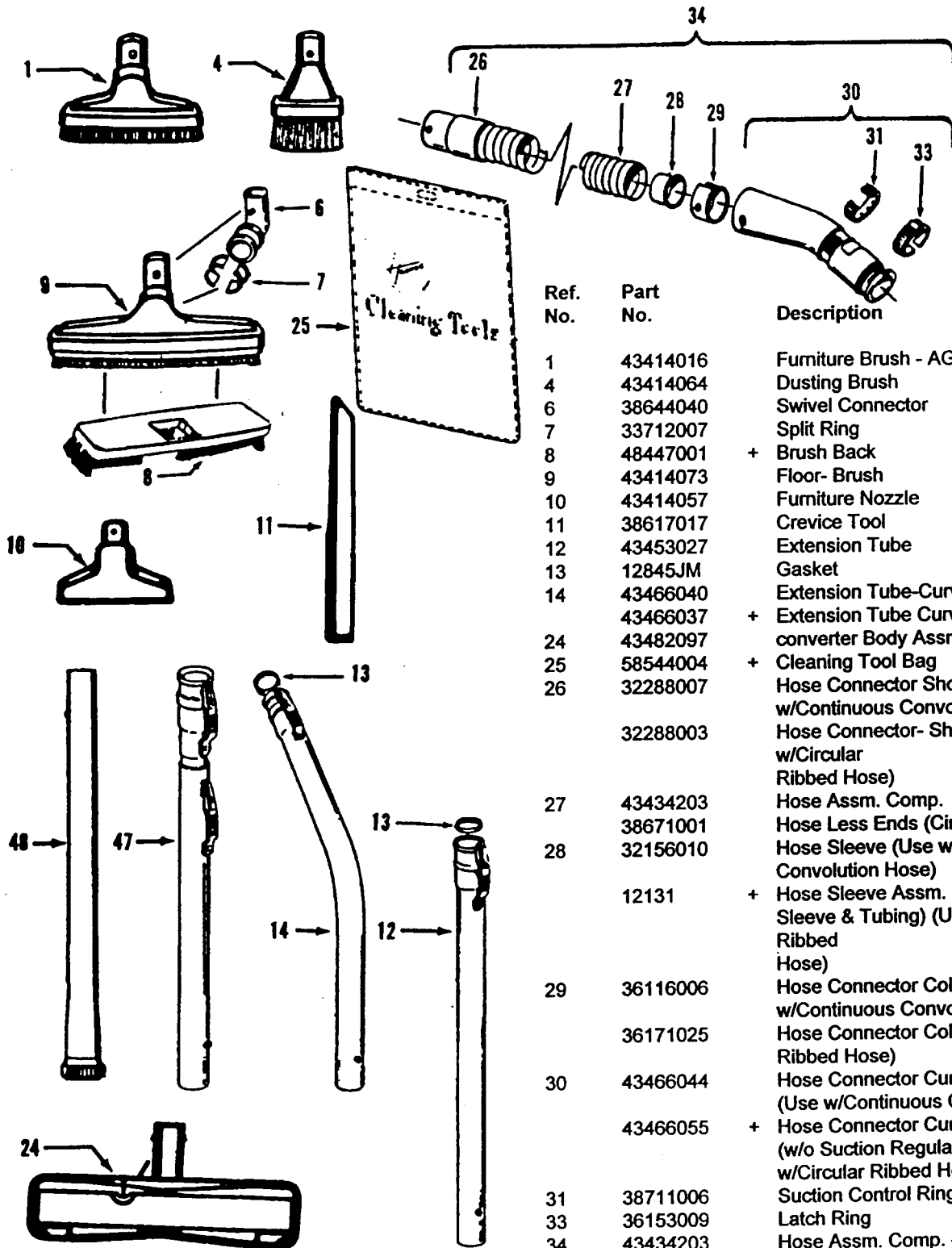
FOUR BRUSH AGITATOR ASSEMBLY

48414002	+ Heavy Duty Commercial (Use 47159 Brush-Long, 47160 Brush-Short & 46875 Sems Fastener)
48414003	Lightweight Commercial (Use 160646BZ Brush & 36422003 Agitator End)

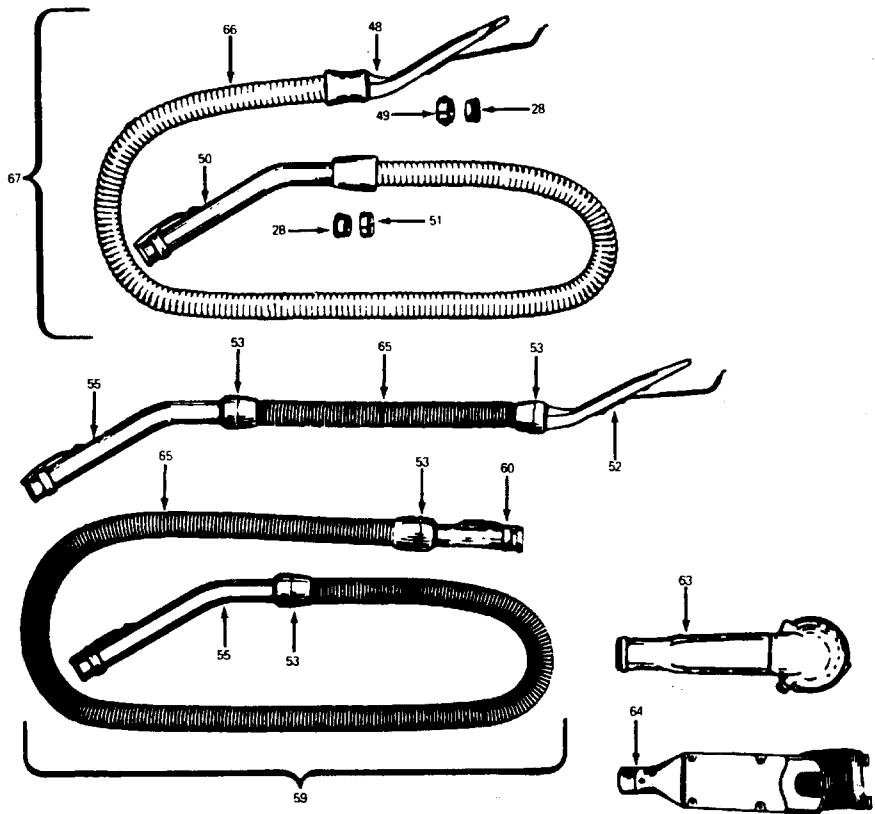
TWO BRUSH W/O BEATER BAR

48414021	Agitator (Molded Thread Guards)
----------	---------------------------------

# Cleaning Tools



Ref. No.	Part No.	Description
1	43414016	Furniture Brush - AG
4	43414064	Dusting Brush
6	38644040	Swivel Connector
7	33712007	Split Ring
8	48447001	+ Brush Back
9	43414073	Floor- Brush
10	43414057	Furniture Nozzle
11	38617017	Crevice Tool
12	43453027	Extension Tube
13	12845JM	Gasket
14	43466040	Extension Tube-Curved - 17
	43466037	+ Extension Tube Curved - 22
24	43482097	converter Body Assm.
25	58544004	+ Cleaning Tool Bag
26	32288007	Hose Connector Short (Use w/Continuous Convolution Hose)
	32288003	Hose Connector- Short (Use w/Circular Ribbed Hose)
27	43434203	Hose Assm. Comp.
	38671001	Hose Less Ends (Circular- Ribbed)
28	32156010	Hose Sleeve (Use w/Continuous Convolution Hose)
	12131	+ Hose Sleeve Assm. (Includes Hose Sleeve & Tubing) (Use w/Circular Ribbed Hose)
29	36116006	Hose Connector Collar (Use w/Continuous Convolution Hose)
	36171025	Hose Connector Collar (Use w/Circular Ribbed Hose)
30	43466044	Hose Connector Curved w/Rings AAP (Use w/Continuous Convolution Hose)
	43466055	+ Hose Connector Curved w/Latch Ring (w/o Suction Regulator) (Use w/Circular Ribbed Hose)
31	38711006	Suction Control Ring
33	36153009	Latch Ring
34	43434203	Hose Assm. Comp. - Front Conversion (Continuous Convolutions)(w/o Suction Regulator)
	43434209	Hose Assm. Comp. - Front Conversion Circular Ribbed w/o Suction Regulator
47	43458001	Extension Tube
48	3863801P	Extension Tube - Poly - AG



Ref. No.	Part No.	Description
28	32156010	Sleeve
48	13147JM	+ Converter
49	12615BZ	Hose Converter Collar
50	43468018	Hose Tube Curved
51	12704BZ	Hose Grip Collar
52	23473JM	+ Converter
53	23393JM	Hose Grip
55	13143	Hose Tube Curved
59	22671JM	+ Hose Comp. - Ultraflex (Commercial) (Use w/Converter 34202 or 35190)
60	34355	+ Hose End Short
63	35190	Converter (Use w/Hose 22671)

Ref. No.	Part No.	Description
64	34202JM	+ Converter (Use w/Hose 22671)
65	48617 JM	+ Hose Less Ends
66	43434213	Hose Less Ends
67	12864JM	+ Hose Assm. Comp.- Tufflex (Standard Rear Conversion)

ITEMS NOT ILLUSTRATED

169460JM	+ Ultraflex Hose - 50' length
43431011	+ Tufflex Hose - 50' length