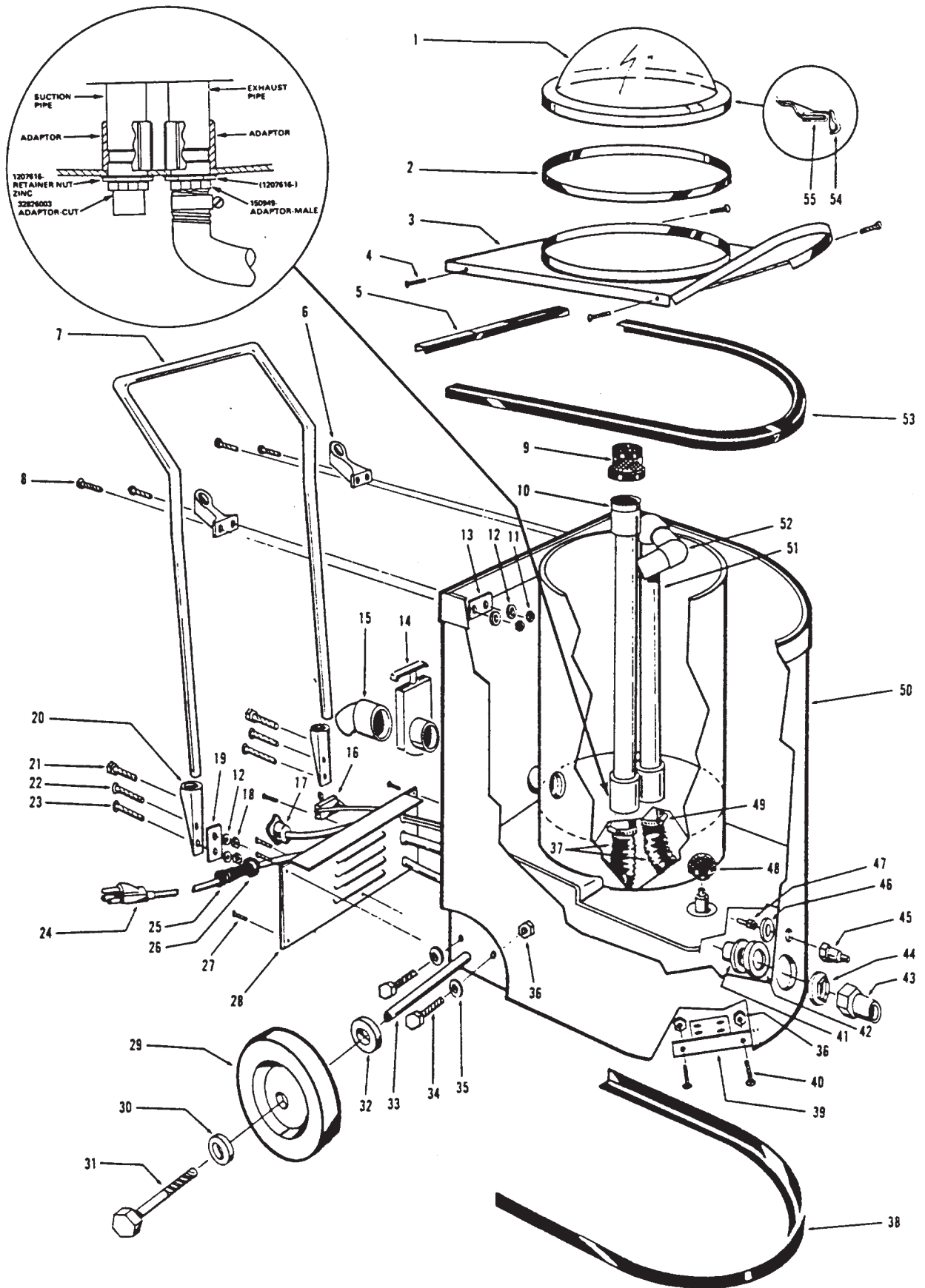


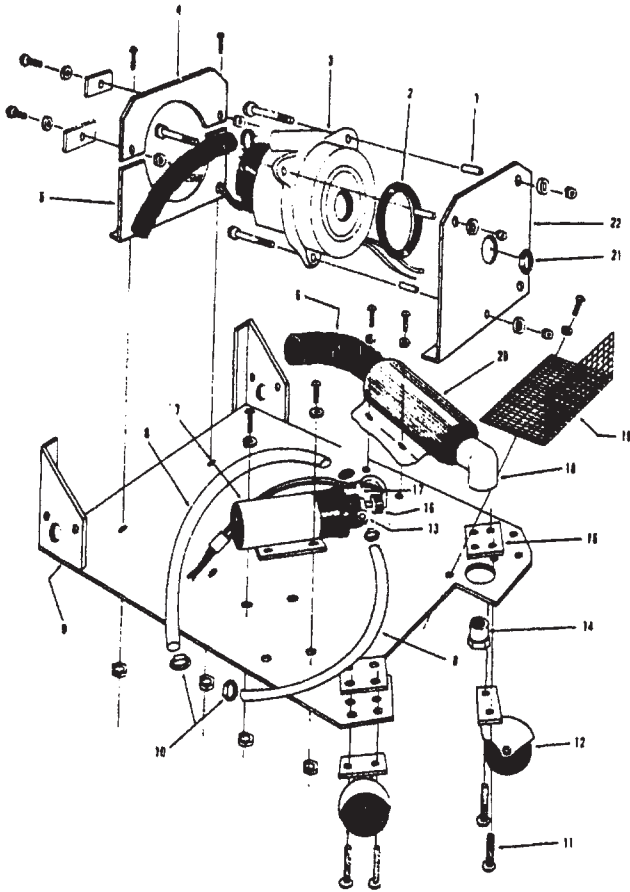
Carpet Soil Extractor

Model C3007 (Single Motor)
Model C3007-001 (Dual Motor) (17 gal.)
Model SG007-001



Model C3007 (Single Motor)
Model C3007-001(Dual Motor) (17 Gal.)
Model SG007-001

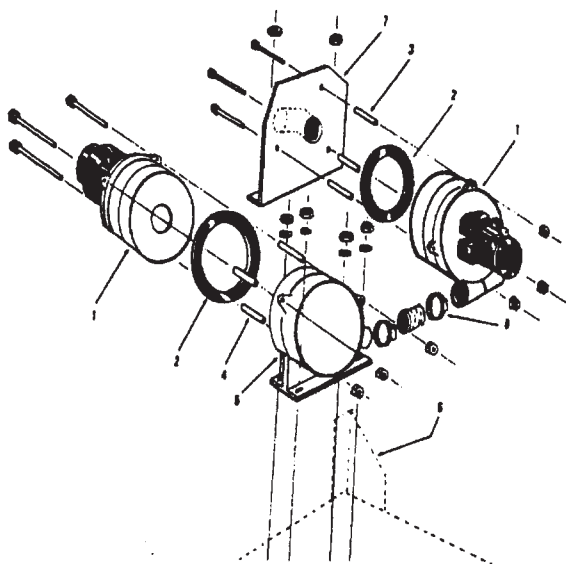
Base Plate Assembly
Model C3007



Ref. No.	Part No.	Description
1	1216693	Spacer
2	1055451	Gasket
3	43576027	+ Vacuum Motor
4	36321016	Top Support
5	41312019	Bottom Support
6	1538202	Hose
7	43585015	Pump
8	38631011	+ Hose
9	41431018	+ Base Plate
10	25411049	+ Hose Clamp
11	1105533	Screw
12	1502241	+ Caster
13	1509009	Barb Fitting
14	1512200	Bushing
15	1120218	+ Plate
16	1524734	Pressure Switch
17	1509010	Barb Fitting - 90
18	1528199	Elbow
19	38766012	+ Screen
20	1000140	+ Muffer
21	1114083	+ Hose Clamp
22	41312010	Motor Mount

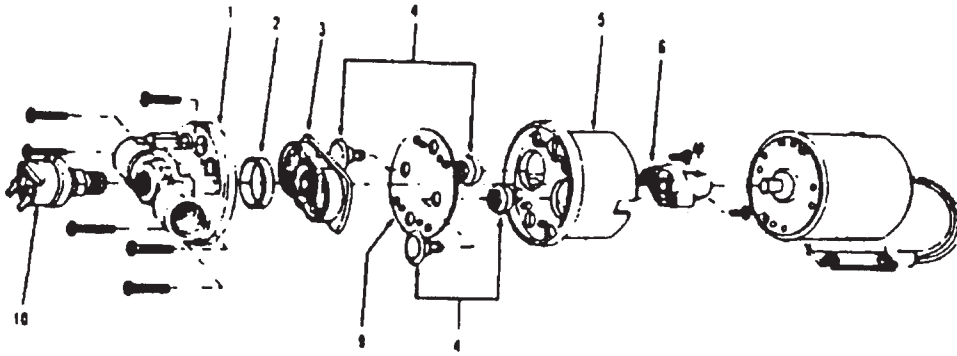
Motor Assembly

Models C3007-001, SG007-001



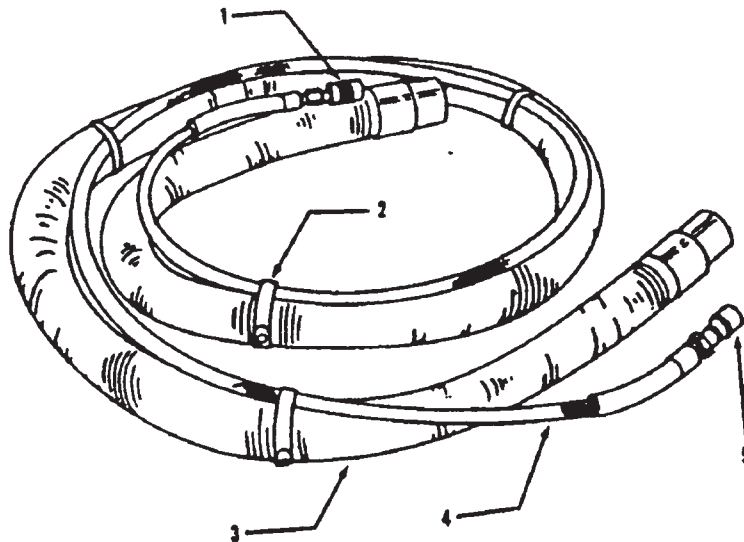
Ref. No.	Part No.	Description
1	43177038	+ Vacuum Motor
2	38784032	Gasket
3	1216013	Spacer
4	31734013	Spacer
5	43551025	Vacuum Chamber
6	1101204	+ Base Plate
7	41312010	Motor Mount
8	1114203	Hose Clamp

**Model C3007 (Single Motor)
C3007-001, SG007-001(Dual Motor) (17 Gal.)**



Pump 43585015

Ref. No.	Part No.	Description
1	1535697	Housing
2		Seal Ring
3		Check Valve
4	1549696	Piston - Inner & Outer
5	1535699	+ Bearing Cover
6		Bearing
9		Diaphragm
10	1524734	Pressure Switch
	1000052	Repair Kit (Includes 2,3,6,9)



Hose Assembly

Ref. No.	Part No.	Description
1	1308061	Quick Connect - Female - Small
2	1539057	Hose Tie
3	1538181	Vacuum Hose - 20
4	43446007	Solution Hose - 20
5	1308062	Quick Connect - Female - Large

Carpet Soil Extractor

Model C3007 (Single Motor)
 Model C3007-001(Dual Motor) (17 Gal.)
 Model SG007-001

Ref. No.	Part No.	Description	Ref. No.	Part No.	Description
1	42271005	+ Dome Cover	29	38522009	+ Wheel
2	38781009	+ Gasket	30	1107635	Washer
3	42272017	+ Cover	31	1105541	Bolt
4	1105542	+ Screw	32	31166010	+ Spacer
5	36231089	+ Gasket	33	1163231	+ Axle
6	36951006	Center Stanchion	34	1105551	Bolt
7	33253003	Handle	35	1107605	Washer
8	1305001-	+ Bolt	36	21854103	* Nut
9	43611012	Filter	37	1538228	Vacuum Hose
10	43457022	Suction Pipe Assm.	38	36231032	+ Furniture Guard
11	1307683	Nut	39	36431022	+ Bracket - RH
12	1307682	Washer	40	1105536	Bolt
13	36951006	Plate	41	1511224	Male Adapter
14	43536005	Discharge Valve	42	1207616	Nut
15	1528027	Elbow	43	43457017	+ Suction Hose Fiffing
16	1524214	+ Toggle Switch	44	1207616	Nut
17	27764001	Receptacle	45	1308006	Quick Connect - Male
18	1307684	Nut	46	1107604	+ Washer
19	34144008	+ Plate	47	1309007	Barbed Fiffing
20	36953008	End Stanchion	48	43611014	+ Filter
21	1105527	Screw	49	1114083	Hose Clamp
22	1305001-	+ Screw	50	42272042	Tank Assm.
23	21774004	Screw	51	43457025	+ Exhaust Pipe Assm.
24	46583157	Power Cord	52	43471004	+ Elbow
25	1122115	Spring	53	36231088	Gasket
26	27482302	Strain Relief - 5/8	54	36233030	Dome Protector
	27482134	Strain Relief - 3/4	55	38784011	+ Dome Seal
27	1105542	+ Screw			
28	1223247	Panel			

