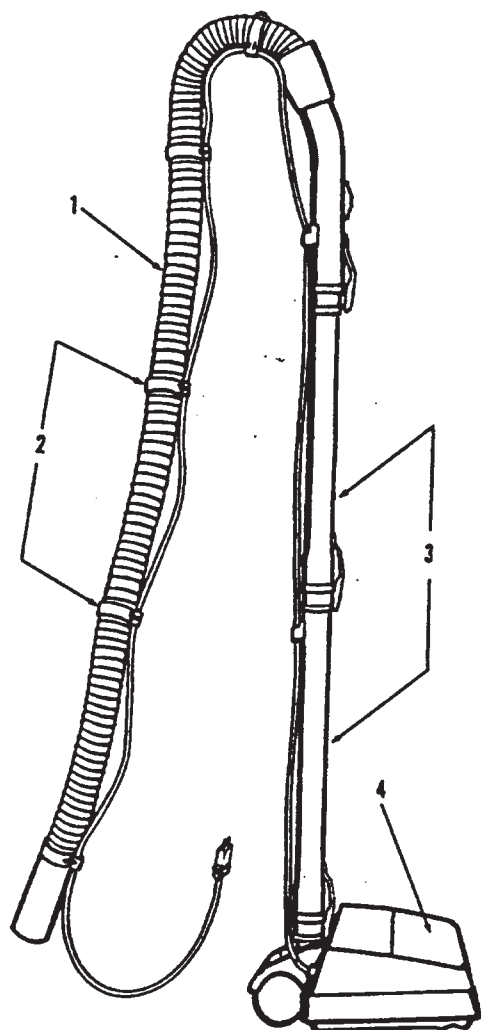


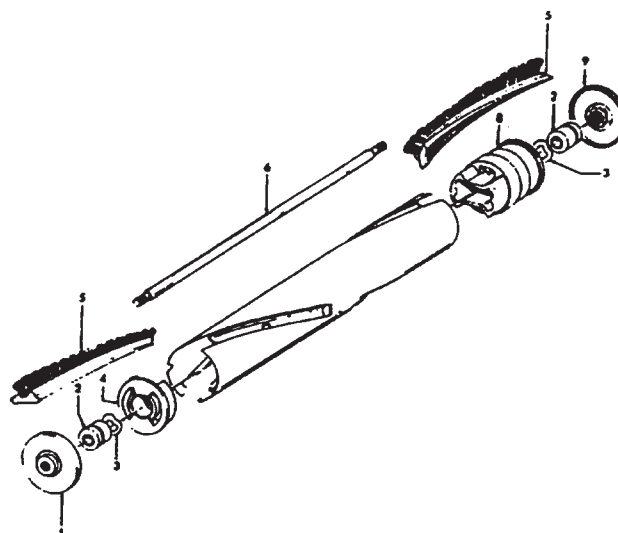
Ref. No.	Part No.	Description	Ref. No.	Part No.	Description
1	13077JM	+ Floor Brush Assm.	11	13257BZ	Suction Regulator Support
	43414073	Floor Brush Assm.	12	43433085	Current Carrying Hose
2	13154JM	+ Floor Brush Swivel Connector (Use w/13077JM)	13	12783	+* Rivet (2)
	38644040	Swivel Connector (Use w/43414073)	14	12772	+* Rivet
3	13276	Floor Brush Swivel Bushing (Use w/13154JM)	15	12763AW	* Rivet
	33712007	Split Ring (Use w/38644040)	16	36171005	Cord Clip
4	13155JM	+ Floor Brush Back & Nozzle Assm. (Use w/13077JM)	17	43453088	Ext. Tube Assm. (2)
5	38617017	Crevice Tool	18	13149JM	Nozzle Connector Tube (Use w/161852JM)
6	38784087	Gasket (2)	19	13254BZ	+ Brush Back Comp. (Use w/161852JM)
7	12846AG	Tube Latch (2)	20	161852JM	+ Furniture Brush Comp.
8	12783	+* Rivet		43414016	Furniture Brush - AG
9	13275	+* Screw	22	36153009	Latch Ring
10	13142AG	Suction Regulator Control			

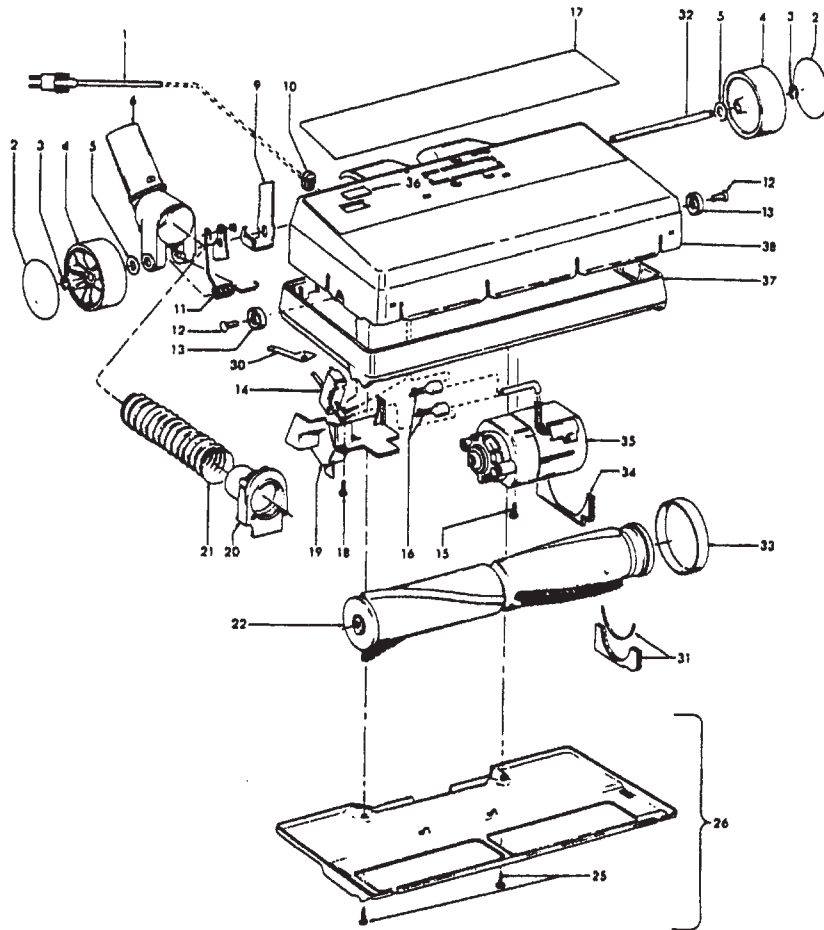
Ref. No.	Part No.	Description
1	59131139	+ Hose - JM - 9
2	36172023	Cord Strap
3	59131420	+ ExtensionTube - AX - 17
4	48438152	+ Power Nozzle



K - 17

Ref. No.	Part No.	Description
1	48495AY	Thread Guard
2	43267002	Bearing
3	21347003	* Washer
4	160542	End
5	48445010	Agitator Brush
6	160070	Shaft
8	160538	End Pulley
9	12985AY	Thread Guard

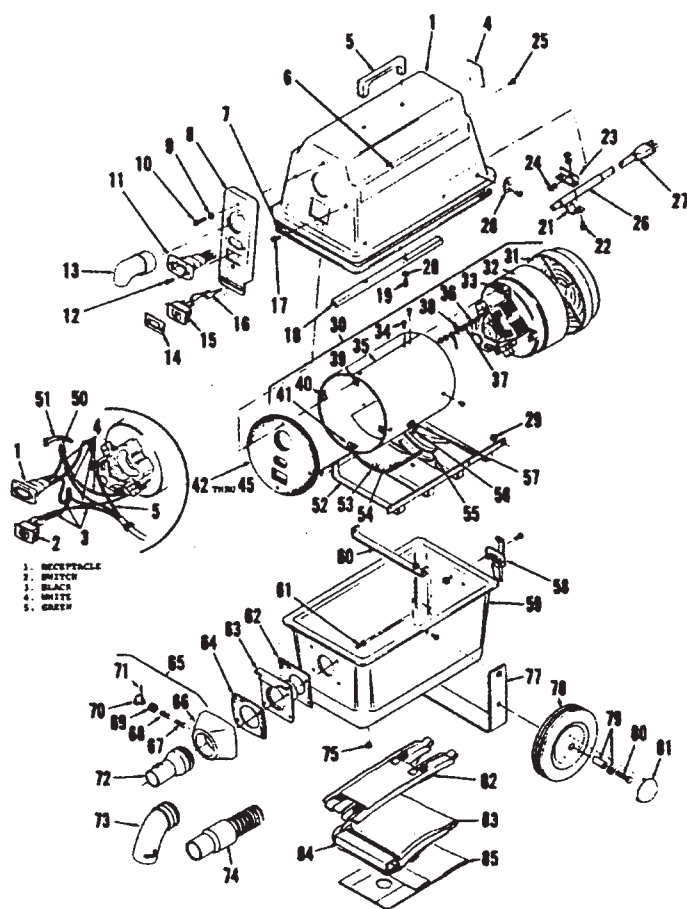




Ref. No.	Part No.	Description
1	59131138	Cord - JM
2	169242	Wheel Cover
3	13730	* Lock Ring
4	38522001	Wheel - AG
5	31155005	* Washer
6	43433065	Nozzle Connector - LA
9	34664012	Release Lever
10	27482130	+ Strain Relief
11	38355005	Torsion Spring
12	21256025	Rivet
13	32761001	Wheel
14	59131147	Circuit Breaker
15	21447007	* Screw
16	48969	* Wire Nut
17	59131146	+ Nameplate
18	21429404	+ Screw
19	37943018	+ Cover
20	38638013	Hose Adbpter
21	43431196	Hose

Ref. No.	Part No.	Description
22	48416005	Agitator
25	21447003	* Screw
26	59131140	Bottom Plate
30	35412003	Spring
31	37913001	+ Seal Housing
	38781002	* Felt Seal
32	32543002	Wheel Shaft
33	38528009	Belt
34	34284001	+ Motor Baffle
35	43177073	Motor
36	39382013	+ Lens
37	36235017	Furniture Guard - LY
38	59131158	+ Nozzle Body - LA

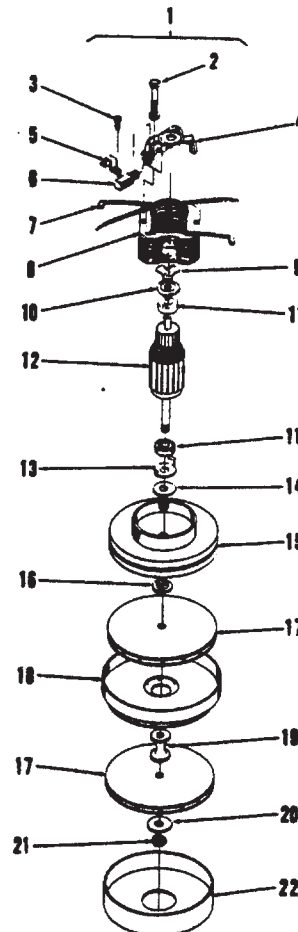
LY - Raisin Brown
 AG - Black
 JM - Oyster White
 LA - Industry Almond
 AX - Chrome



Ref. No.	Part No.	Description	Ref. No.	Part No.	Description
1	59131166	Housing, Top	24		Nut, 8-32 (5)
4	59131234	Decal, Warning	25		Screw, Pan Hd. 8-32 x.375 (9)
5	59131167	+ Handle	26	59131180	Strain Relief
6	59131168	Decal (2)	27	46583148	Cord Set Assm.
7	59131169	Gasket	28	59131182	Bracket (4)
8	59131170	Plate Assm.	29		Nut, 10-24 (8)
9		Washer, #8 Shake proof (5)	30	59131183	Vac Mtr. Assm. (incl. items 31 thru
10		Screw, Pan Hd. 8-32 x 1.50 (2)	41)		
11	59131171	Receptacle Assm.	31	59131184	Filter
12	59131172	Screw, Bulk #6 x.375 (2)	32	59131048	Motor, Vac
13	59131173	Deflector	33	59131186	Bracket, End
14	59131174	Decal, On - Off	34		Screw, Pan Hd . 6-32 x .25 (3)
15	59131175	Switch, Rocker Spst	35	59131187	Vac Motor Shield
16	59131176	Wire Assm.	36		Screw, Soc. Hd. 6-32 x 1
17		Screw, Pan Hd. 8-32 x.75 (4)	37		Washer #6 Shakeproof
18	59131177	Channel	38		Nut, 6-32
19		Screw, Pan Hd. 10-24 x.50 (10)	39	59131188	Bracket, Top
20		Washer, #10 Shakeproof (6)	40	59131189	Bracket, Side (2)
21	59131178	Clamp, Cord	41	59131190	Bracket, Bottom
22		Screw, Pan Hd. 8-32 x.50 (2)	42	59131191	Gasket & Plate Assm. (Incl. items 43
23	59131179	Bracket			thru 45)

Ref. No.	Part No.	Description
43	59131192	Plate, Weldment
44	59131193	Gasket (2)
45	59131194	Foam, Sound Reducing
50	59131366	Nut, Wire (2)
51	59131196	+ Tie, Cable
52	59131197	Basket
53	59131198	Cover
54	59131199	Gasket, Cover
55	59131020	Gasket
56	59131222	Strain Relief (2)
57	59131022	Grommet
58	59131023	+ Latch Assm.
59	59131024	+ Housing, Bottom
60	59131025	+ Bracket
61		Screw 10-24 x.75 Self Tap Pan Hd. (4)
62	59131026	Gasket
63	59131027	+ Plate & Tube Assm.
64	59131028	Gasket
65	59131029	Coupler W/Lock Assm. (Incl. Items 66 thru 71)
66	59131030	Connector 1-1/2
67	59131031	+ Pin
68	59131032	Spring
69	59131033	Socket
70	59131034	Knob
71	59131035	Pin
72	59131036	Coupler 1-1/2
73	59131037	Hose, Adapter
74	59131038	Hose Assm. 1.50 x 4 Ft.
75	59131039	Rivet, Wear Pad (4)
76	59131117	Wheel Assm. (Incl. Items 77 thru 81)
77	59131040	+ Bracket
78	59131041	Wheel (2)
79	59131042	+ Bushing (2)
80		Screw, Hex Hd. Cap 5/16 -18 X 1.50 w/Washer (2)
81	59131043	+ Cap, Hub (2)
82	59131044	Shoulder Harness
83	59131045	Bag, Collector
84	59131046	Clamp, Bag
85	59131118	Bag, Disposable - Pack of 10

Ref. No.	Part No.	Description
1	59131048	Motor, Vac
2	59131049	Screw (2)
3	59131050	Screw (4)
4	59131051	Bracket, Commutator End
5	59131052	Clamp, Brush (2)
6	59131053	Brush Mechanism (2)
8	59131054	Field
9	59131055	Spring, Load
10	59131056	Disc
11	59131057	Bearing (2)
12	59131058	Armature
13	59131059	Washer, Clamping
14	59131060	Washer, Felt
15	59131061	Bracket & Shell Assm.
16	59131062	Spacer
17	59131063	+ Fan, Rotating (4)
18	59131064	Fan, Stationary
19	59131065	Spacer
20	59131066	Washer
21	59131067	Nut



22 59131068 Shell, Fan

Floor Machine / Wet Dry Vac Accessories

Models F7089, F7091, F7093



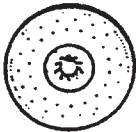
20' Bassine Brush
Part No. 59131103

17' Bassine Brush
Part No. 59131100



20" Union Mix Dry
Polishing Brush
Part No. 59131104

17" Union Mix Dry
Polishing Brush
Part No. 59131101



20" Pad Holder
Part No. 59131105

17" Pad Holder
Part No. 59131102



Clutch Plate
Part No. 59131047



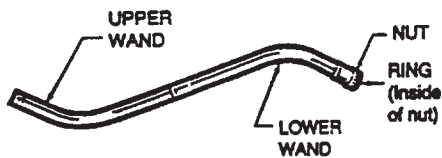
20" High Speed Pad Holder
Part No. 59131106 -
For Model F7093 only

Bristle Face, Part No. 59131077

Foam Pad, Part No. 59131078

PowerMax Wet Dry Vacs

Two Piece Wand Assembly
Part No. 59131299 (Finished Good)



Upper Wand, Part No. 38646054
Lower Wand, Part No. 38644045 (Inc. Nut and Ring)
Nut, Part No. 36116028
Ring, Part No. 33713004

Models S7085, S7087

Dry Pickup Filter Assembly
8 gallon, Part No. 59131108
12 gallon, Part No. 59131115

10'x 1-1/2' Hose
Part No. 59131107



All Commercial
Wet Dry Vacs

Models S7085, S7087

4'x 1-1/2' Chrome Plated Steel Floor Wand
wet/dry use, Part No. 59131109



Crevice Tool
Part No. 59131112



Dusting Brush with Adaptor
Part No. 59131113



Inserts, Part No. 59131229



14' Dry Pickup Nozzle, Part No. 59131136
Brush Back, Part No. 59131233



Blade Kit, Part No. 59131181



Models C5031, C5033, C5035

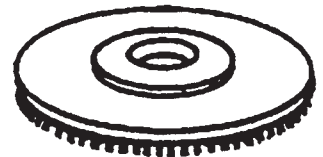
17" Shower Feed Brush - C5031
Part No. 48437014 (Service Part)

20" Shower Feed Brush - C5033, C5035
Part No. 59137104 (Service Part)

17" Pad Holder - C5031
Part No. 48436010 (Service Part)

20" Pad Holder - C5033, C5035
Part No. 59137102 (Service Part)

20" High Speed Pad Driver - C5035 ONLY
Part No. 48437019 (Service Part)



Models C5023, C5025, C5027, C5031, C5033, C5035



Clutch Plate, Part No. 59137338