

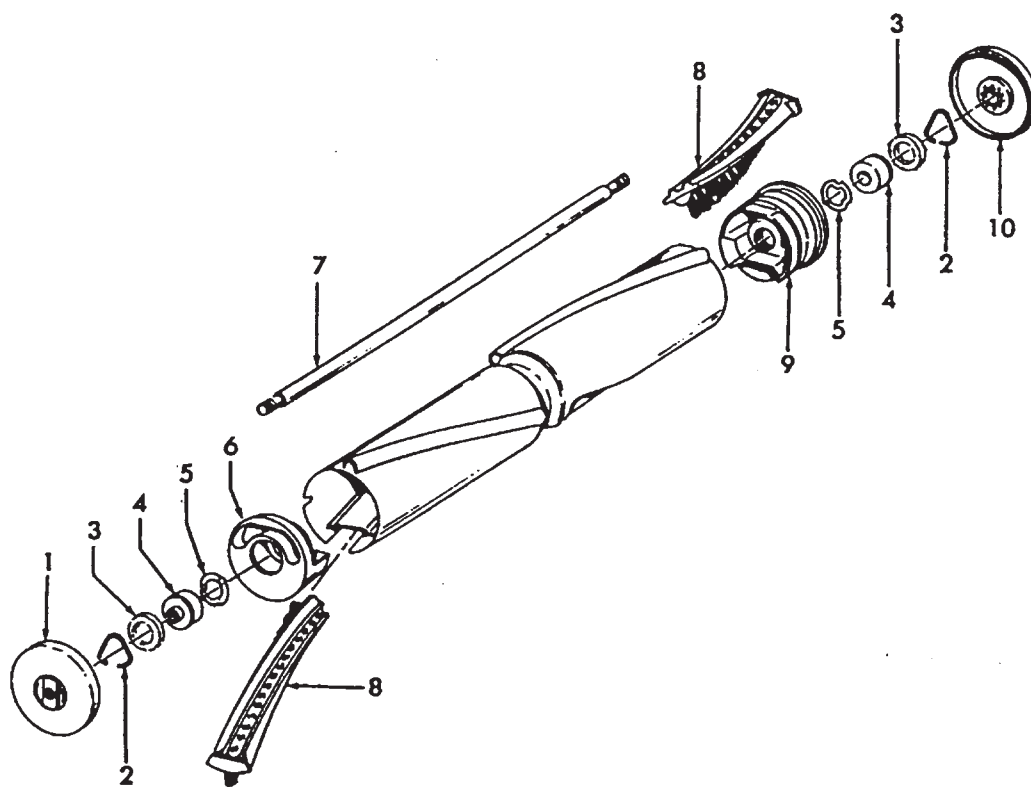
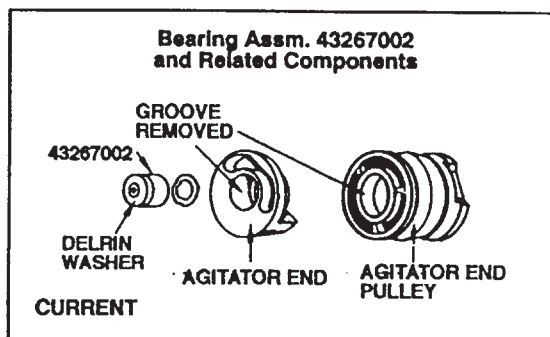
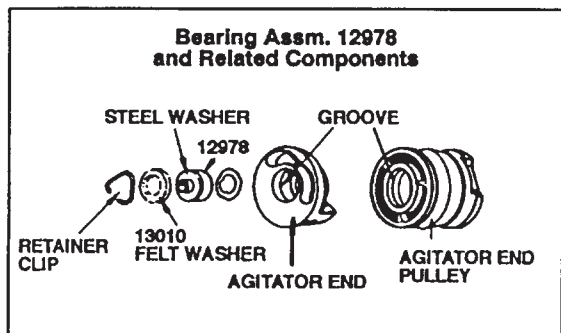
Model S7053

Ref. No.	Part No.	Description
1	21481464	+ Screw
2	170359AG	+ Rest Pad
3	47938	* Hinge Pin
4	35214004	Hinge Leaf - Upper
5	48123AV	+ Lock Ring
6	21447014	* Screw
7	38411033	+ Switch Button
8	34325016	+ Insulator
9	34284002	+ Insulator
10	48969	* Wire Nut
11	39049	Strain Relief
12	28212013	+ Push Switch
13	37214030	+ Switch Housing
14	46311150	+ Pigtail Cord - JM
15	27482229	+ Strain Relief
16	27479307	* Wire Tie
17	21652003	+ Nut
18	34334001	Insulator
19	170348AV	+ Hinge Leaf - Lower
20	27482131	+ Strain Relief
22	21312625	+ Washer
23	169293	Resilient Mount - Upper
24	46383185	Attach. Cord
25	42213221	+ Intermediate Shell - LC
26	31114008	+ Muffler
27	31721025	+ Spacer
28	41421311	+ Bottom Pan - LC
29	23737202	Caster Wheel

Ref. No.	Part No.	Description
30	169294	Resilient Mount - Lower
31	43577088	+ Motor (P. 66)
32	12456	+* Rivet
33	46326096	+ Receptacle
34	36151012	Latch
35	39457006	+ Handle - JM
36	170352AG	Bay Collar Connector
37	48512FW	+ Spring
38	16439EW	+ Latch
39	37214019	+ Receptacle Mounting Plate
40	34341006	Retainer Clip
41	31736002	+ Tubing - JM
42	21447024	+ Screw
43	43662001	Cloth Bag
44	37959021	+ Wire Cover - AG
45	37196095	+ Motor Cover - AG
46	17001 FW	Screw
47	38764006	Filter
48	170361 AG	+ Furniture Guard - AG
49	42211272	+ Upper Shell - AX
50	52125037	+ Nameplate

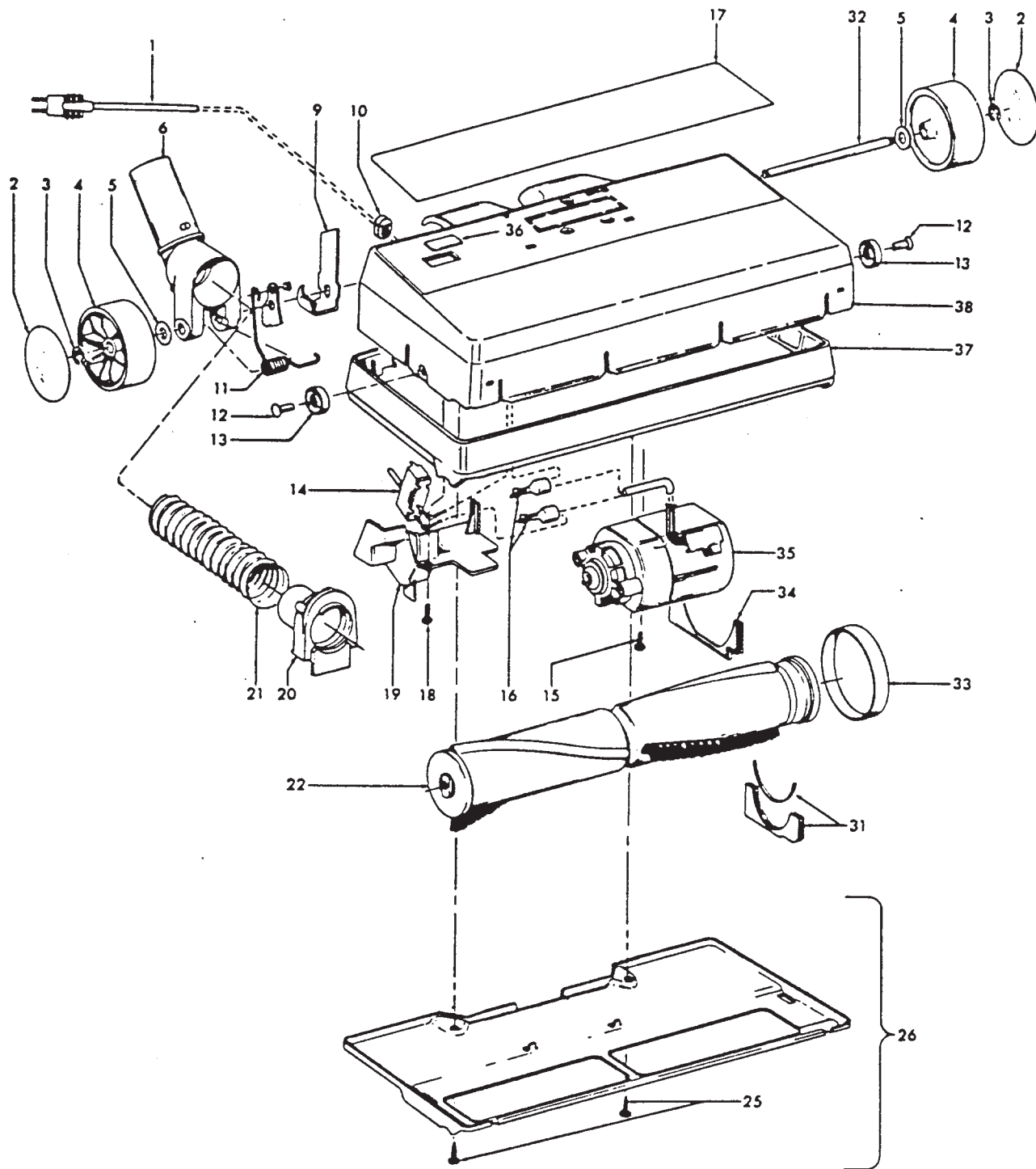
PACKAGING MATERIAL

58185091	+ Cleaner Carton
58343011	+ Bottom Support
58344003	Top Support
56513111	+ Owner Manual



Ref. No.	Part No.	Description
	48416004	Agitator Assm. Comp.
	48416005	Agitator Assm. Comp. - S7053
1	48495AY	Thread Guard Assm. - L.H.
2	12987	+ Retainer Clip (2)
3	13010	* Washer - Felt (2)
4	12978	Agitator Bearing Assm. (2) (Use w/item 2,3)
	43267002	Agitator Bearing Assm. (2) (Current)

Ref. No.	Part No.	Description
5	21347003	* Washer
6	160542	Agitator End Assm.
7	160070	Agitator Shaft
8	160646BZ	Agitator Brush Back Assm. (2)
	48445010	Agitator Brush Back Assm. - S7053
9	160538	Agitator End Pulley
10	12985AY	Agitator Thread Guard Assm. - R.H.

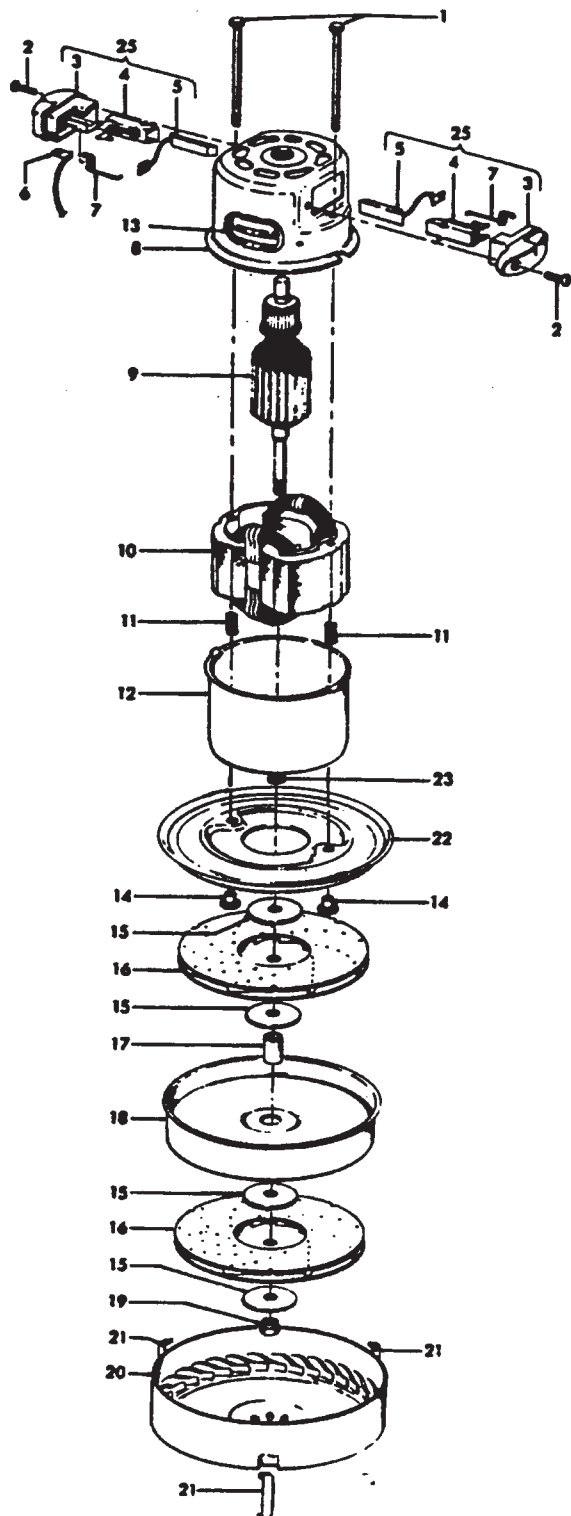


Powered Nozzle

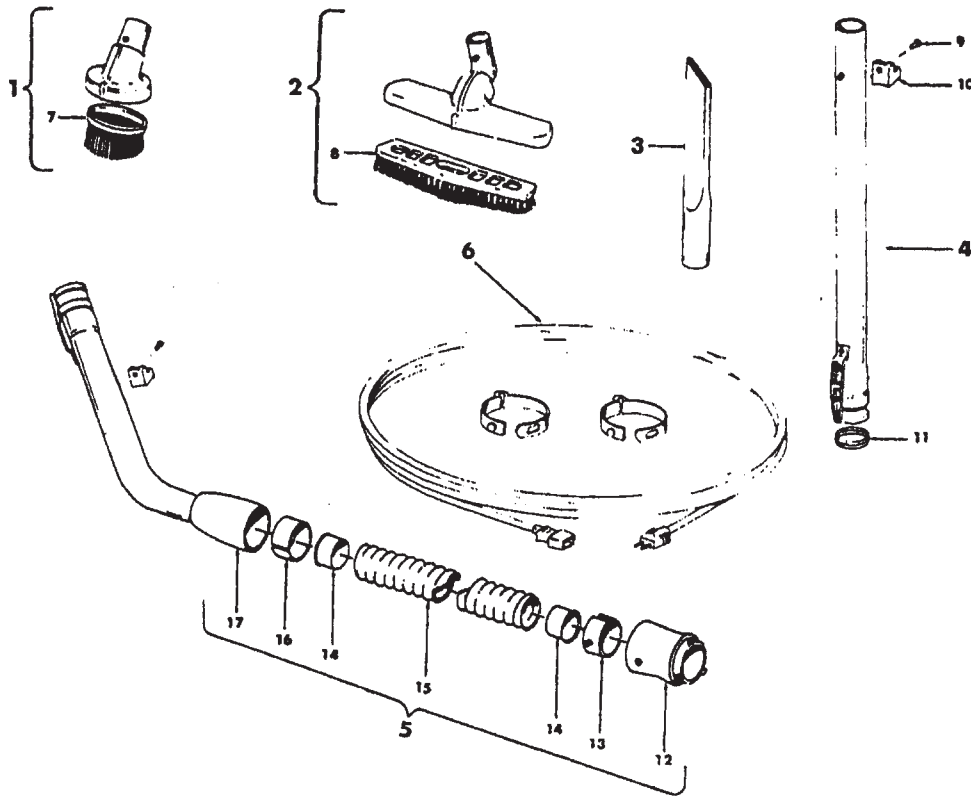
Model S7053

Ref. No.	Part No.	Description
1	46321080	Attach. Cord - JM
2	169242	Wheel Cover
3	13730	* Lock Ring
4	38522001	Wheel
5	31155005	* Washer
6	43468058	Nozzle Connector Assm. - JM
9	34664012	Release Lever
10	27482126	Strain Relief
11	38355005	Torsion Spring
12	21256025	Rivet
13	32761001	Wheel
14	27854001	Circuit Breaker
15	21447007	* Screw
16	48969	* Wire Nut
17	52125036	+ Nameplate
18	21429404	+ Screw

Ref. No.	Part No.	Description
19	37943018	+ Cover
20	38638013	Hose Adapter
21	43431196	Hose
22	48416005	Agitator
25	21447003	* Screw
26	42246007	+ Bottom Plate
31	43548001	+ Seal
32	32543002	Wheel Shaft
33	38528009	Belt
34	34284001	+ Motor Baffle
35	43177073	Motor
36	39382013	+ Lens
37	36235017	Furniture Guard
38	42241041	Nozzle Body Assembly
	48438172	+ Power Nozzle Assm. - LC



Ref. No.	Part No.	Description
1	12022	Bolt
2	21429406	* Screw
3	168038-	Brush Carrier
4	168506	Brush Holder
5	47315004	Carbon Brush
6	27666551	* Terminal
7	38353004	Spring
8	169706	Upper Housing
9	44765078	Armature
10	45311017	+ Field Coil
11	38311016	+ Compression Spring
12	41823001	Lower Housing
13	169702BZ	+ Bushing
14	167695EF	Nut
15	21312774	+ Washer
16	43566006	+ Fan
17	31732003	Spacer
18	169712	+ Interstage Nut
19	33426001	Nut
20	37218005	Diffuser
21	34786002	Spring Clip
22	169713FW	Mounting Plate
23	31148002	Spacer
25	47318007	+ Brush Carrier
	43577088	+ Motor Comp.



Ref. No.	Part No.	Description
1	43414040	+ Dusting Brush - LC
	43414064	Dusting Brush (One Piece)
2	43414073	Floor Brush - AG
3	38617017	Crevice Tool
4	43453088	Extension Tube - AX - 17"
5	43434191	Hose - JM
6	46348008	Cord Set
7	13263	+ Brush (Use w/43414040)
8	13253AG	+ Brush
9	12783	+* Rivet
10	36171008	Cord Clip
11	38784087	Gasket
12	32855003	Connector
13	12615BZ	Collar
14	32156010	Sleeve
15	43431085	Hose - Less Ends - JM
16	12704BZ	Collar
17	43468075	+ Hose Tube - AX
	43468077	Hose Tube - AX