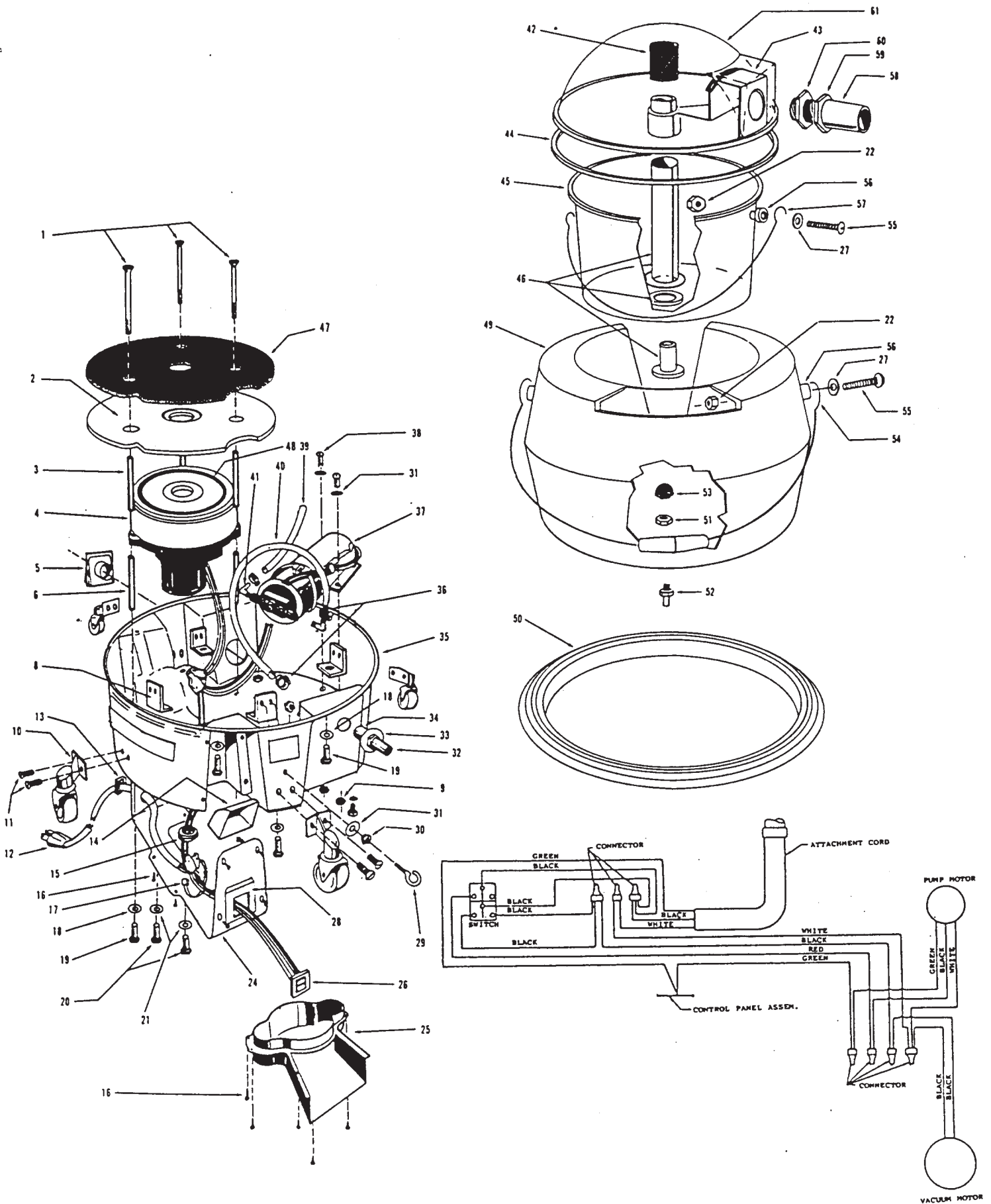


Carpet Soil Extractor

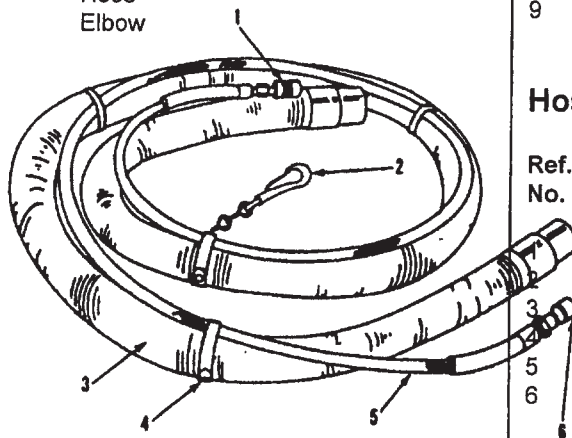
Model S7001-071 (3.5 Gal.)



Carpet Soil Extractor

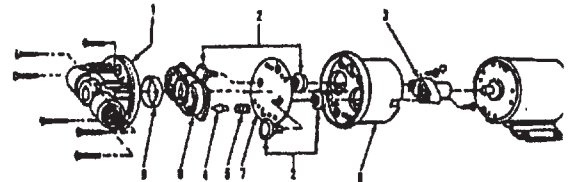
Models S7001-071 (3.5 Gal.)

Ref. No.	Part No.	Description
1	21811016	+ Bolt
2	41312003	Plate & Gasket
3	1216015	Spacer
4	43577017	+ Motor
5	42228001	Exhaust Duct
6	31565003	Spacer
7	21854103	* Nut
8	34513005	+ Bracket
9	1107602	Nut
10	1000104	+ Stanchion
11	1105502	Screw
12	46562021	Cord
13	27482302	Strain Relief
14	1506010	Insulator
15	1512413	Grommet
16	1105512	+ Screw
17	27479307	* Wire Tie
18	1107673	Washer
19	1105567	Bolt
20	1105567	Bolt
21	1107605	Washer
22	21851005	Nut
24	37923020	+ Control Panel
25	43484001	Splash Guard
26	1524471	+ Rocker Switch - 3 Position (Black Button)
	28164278	Rocker Switch - 2 Position (Red Button)
27	21312784	Washer
28	51333001	Switch Label
29	1107614	Eye Bolt
30	1107611	Nut
31	21312710	+ Washer
32	1308006	Male Coupler
33	1107604	+ Fender Washer
34	1309007	Adapter
35	37931003	Base
36	25411049	+ Hose Clamp
37	1510191	Pump
38	1105533	Screw
39	1538028	Hose
40	1538029	Hose
41	1509010	Elbow



42	43611010	Filter
43	43551014	Deflector Assm.
44	40300047	+ Gasket Assembly
45	43646005	Vacuum Bucket Assm.
46	1333042	+ Stand Pipe Assm.
47	38785005	+ Gasket
48	38784032	Gasket
49	42272033	Solution Reservoir Assm.
50	36233023	Furniture Guard - LY
51	1307608	Nut
52	1328404	Tank Fitting
53	1134054	Screen
54	48662032	+ Handle
55	21811010	Screw
56	31732028	Bushing
57	1130045	Handle
58	1509049	Adapter - Male
59	1207616	Nut
60	1307617	Nut
61	42271004	Dome Assm.
62	171044	+ Key Ring
63	54823023	+ Instruction Sheet

Pump 1510191



Ref. No.	Part No.	Description
1	1535697	Housing
2	1549696	Piston - Inner & Outer
3		Bearing
4		Bypass Poppet
5		Spring
6	1535699	+ Bearing Cover
7		Diaphragm
8		Check Valve
9		Seal Ring
	59183029	Pump Head Assm. (Incl. It. 1 thru 9)

Hose Assembly

Ref. No.	Part No.	Description
	1308062	Quick Connect - Female - Large
	48613001	+ Strap
	43433048	Vacuum Hose
	1539057	Hose Retainer
	43443003	Solution Hose - (Incl. items 1,6)
	1308061	Quick Connect - Female - Small