

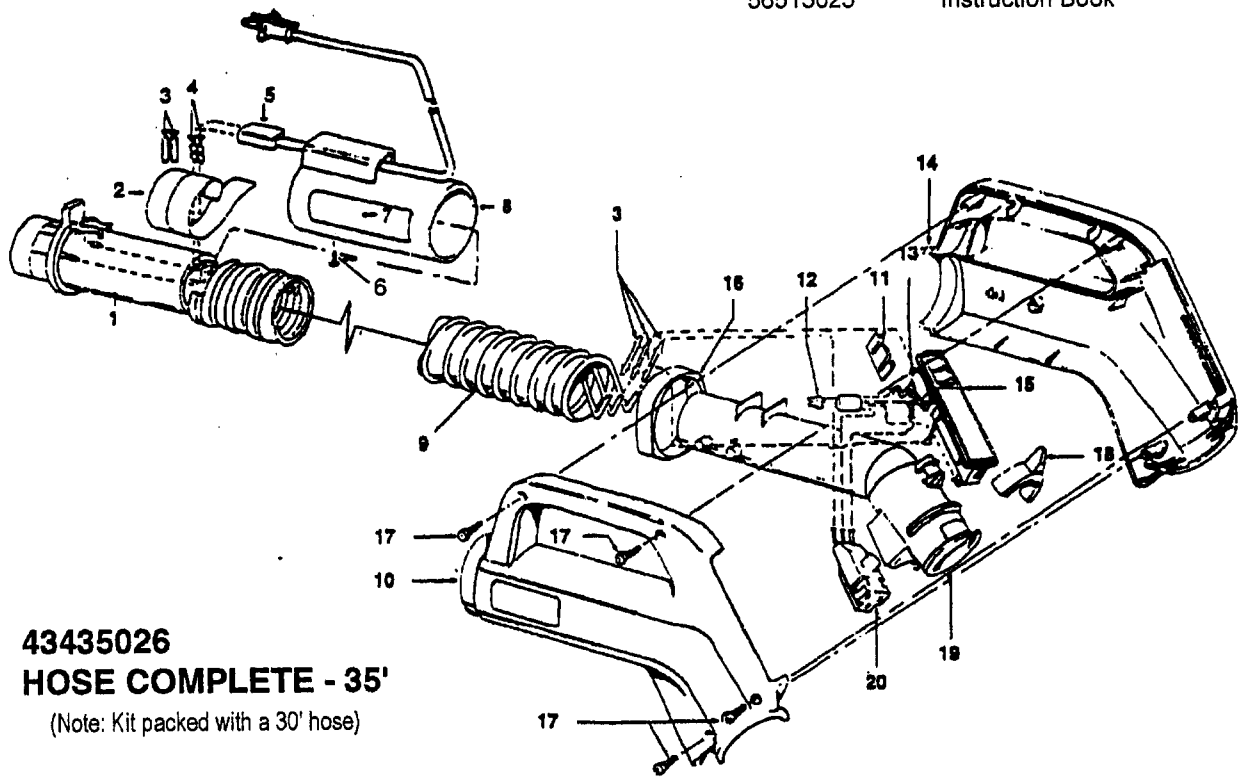
| Ref. No. | Part No. | Description |
|----------|----------|----------------------------|
| 1 | 38617017 | Crevice Tool - AG |
| 2 | 43414057 | Furniture Nozzle - AG |
| 3 | 43414064 | Dusting Brush - AG |
| 4 | 38644020 | Swivel Connector - AG |
| 5 | 43414073 | Floor Brush -AG |
| 6 | 43453023 | Ext. Tube - AX - 20 W/S.C. |
| 7 | 43453052 | Ext. Tube - AX - 20 |

ITEMS NOT ILLUSTRATED

42219066 Tool Rack Assem.

PACKAGING MATERIAL

58175055 + Carton
56515025 Instruction Book

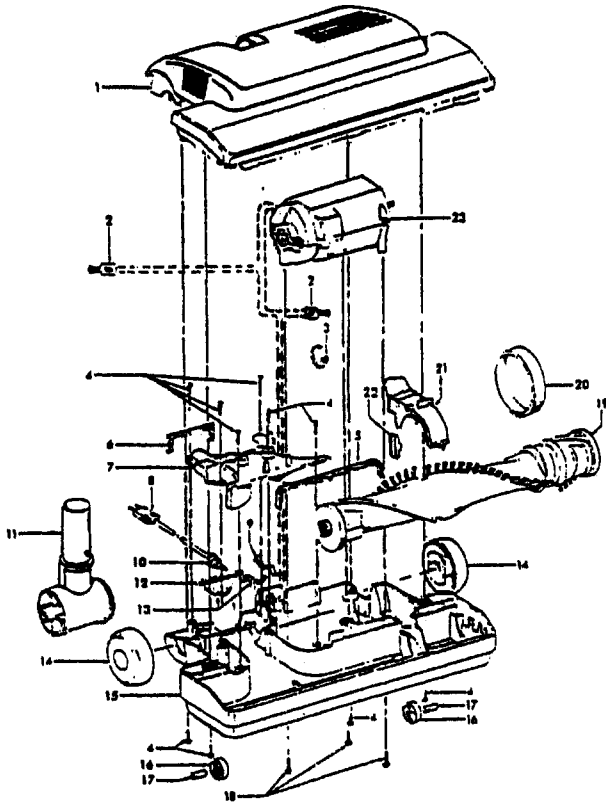


**43435026
HOSE COMPLETE - 35'**

(Note: Kit packed with a 30' hose)

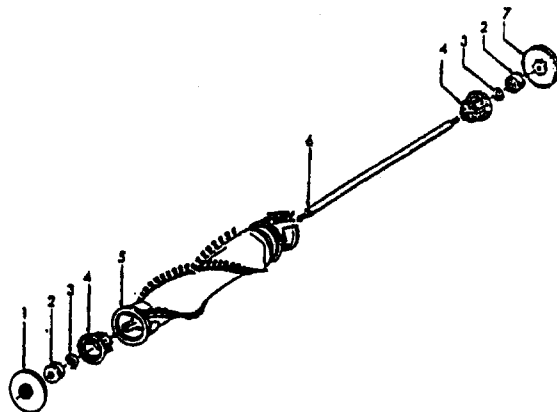
| Ref. No. | Part No. | Description | Ref. No. | Part No. | Description |
|----------|----------|-------------------------------------|----------|----------|-----------------------------|
| 1 | 43454003 | + Hose Connector Assm. | 13 | 28267001 | Switch |
| 2 | | Cotton Tape | 14 | 39461009 | + Grip - LH |
| 3 | 31712006 | * Insulating Sleeve (8) | 15 | 47551022 | Grip Control Panel Assm.-AG |
| 4 | 27613002 | Splice (4) | 16 | 36131087 | Retaining Ring |
| 5 | 46343029 | + Cord Assm. - Polarized | 17 | 21447124 | +* Screw Self Tapping (4) |
| 6 | 21124105 | * Drive Screw | 18 | 36153029 | Latch Ring -AG |
| 7 | 51869031 | Warning Label | 19 | 38646034 | Inner Tube - AG |
| 8 | 38638054 | Grip - MV | 20 | 46526004 | Connector |
| 9 | 43431218 | Hose - 4 Wire - Terminated - 35 Ft. | | | |
| 10 | 39461010 | Grip - RH - MP | | | |
| 11 | 36913030 | * Insulator | | | |
| 12 | 12227 | Insulated Terminal | | | |

S5680, S5682, S5690 - Power Nozzle 48438270
S5697 - Power Nozzle 48438255

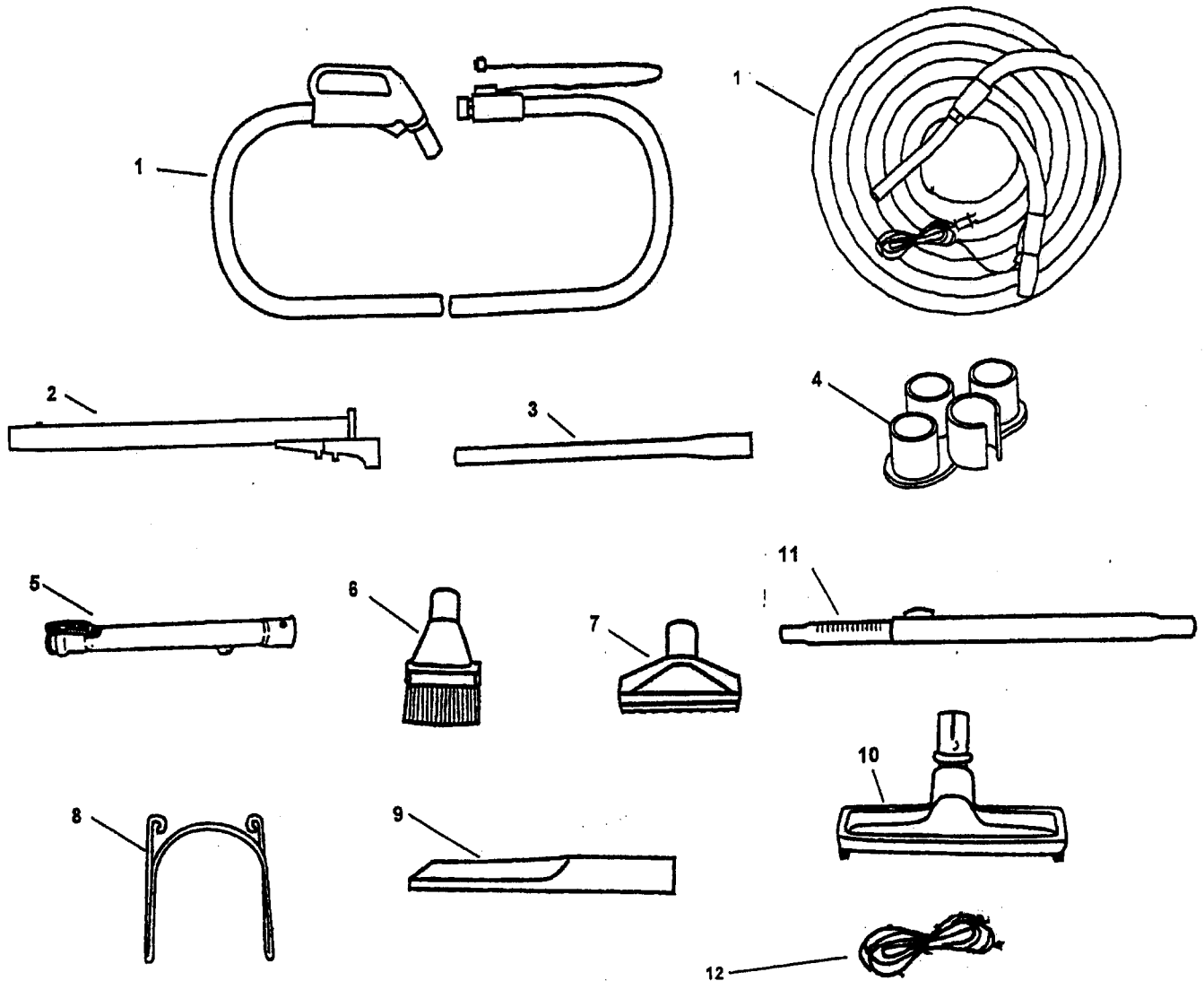


| Ref. No. | Part No. | Description |
|----------|----------------------|---|
| 1 | 37241140 42252A55 | + Nozzle Body-ABE Nozzle Body- AG |
| 2 | 12227 | * Insulated Terminal |
| 3 | 27479307 | * Lead Wire Tie |
| 4 | 21447003 | * Screw-Self Tapping |
| 5 | 34123039 | * Duct Cover Seal |
| 6 | 34253018 | + Rear Seal |
| 7 | 42256103 | Duct Cover Assem. (Includes It. 5,6) |
| 8 | 46321009 46321105 | Cord Assem. – AG – S5697 Cord Assem. – AG – S5682, S5690 |
| 9 | 35276008 | Detent Spring |
| 10 | 163768 | Strain Relief |
| 11 | 43482106 | Nozzle Connector-AG |
| 12 | 34112007 | * Seal |
| 13 | 34122014 | * Seal (2) |
| 14 | 43244043 | Wheel Assem. |
| 15 | 42246114 | Base Plate Assem. (Incl. It. 16,17) |
| 16 | 32761001 | Wheel |
| 17 | 31522004 | Wheel Shaft |
| 18 | 21479801 | * Screw |
| 19 | 48414079 | Agitator Assem. |
| 20 | 38528011 | Belt |
| 21 | 36923008 | Belt Guard Assem. |
| 22 | 13261AY | * Rib Shoe |
| 23 | 43177062 | Motor Assem. Comp. |

Agitator 48414079



| Ref. No. | Part No. | Description |
|----------|----------|-----------------------------|
| 1 | 36423016 | Thread Guard - R.H. |
| 2 | 43267002 | Agitator Bearing Assem. (2) |
| 3 | 21347003 | * Conical Washer |
| 4 | N/A | Agitator End (2) |
| 5 | N/A | Agitator Body |
| 6 | N/A | Agitator Shaft |
| 7 | 36423017 | Thread Guard - L.H. |



| Ref No. | Part No. | Description |
|---------|----------|--|
| 1 | 59132012 | CVS Hose - Corded - 30 Ft. - S5690 |
| | 59132013 | CVS Hose - Corded - 30 Ft. |
| | 59132043 | CVS Hose - Corded, no on/off- S5680 |
| 2 | 59132014 | 20 Inch Extension Tube |
| | 59132045 | Extension Tube - w/o cord management - S5680 |
| 3 | 38634078 | Extension Tube |
| 4 | 59132016 | Wand - Tool Rack |
| 5 | 43453038 | Cleaning Tool Extension Tube Assembly |
| 6 | 43414145 | Dusting Brush |
| 7 | 38614029 | Furniture Nozzle |
| 8 | 33188001 | Hose Rack |
| 9 | 38617024 | Crevice Tool |
| 10 | 43414142 | Wall & Floor Brush |
| 11 | 59132015 | Telescoping Wand - Metal |
| 12 | 59132044 | Connection Cord - S5680 |

S5680, S5682, S5690 Power Nozzle see page 306