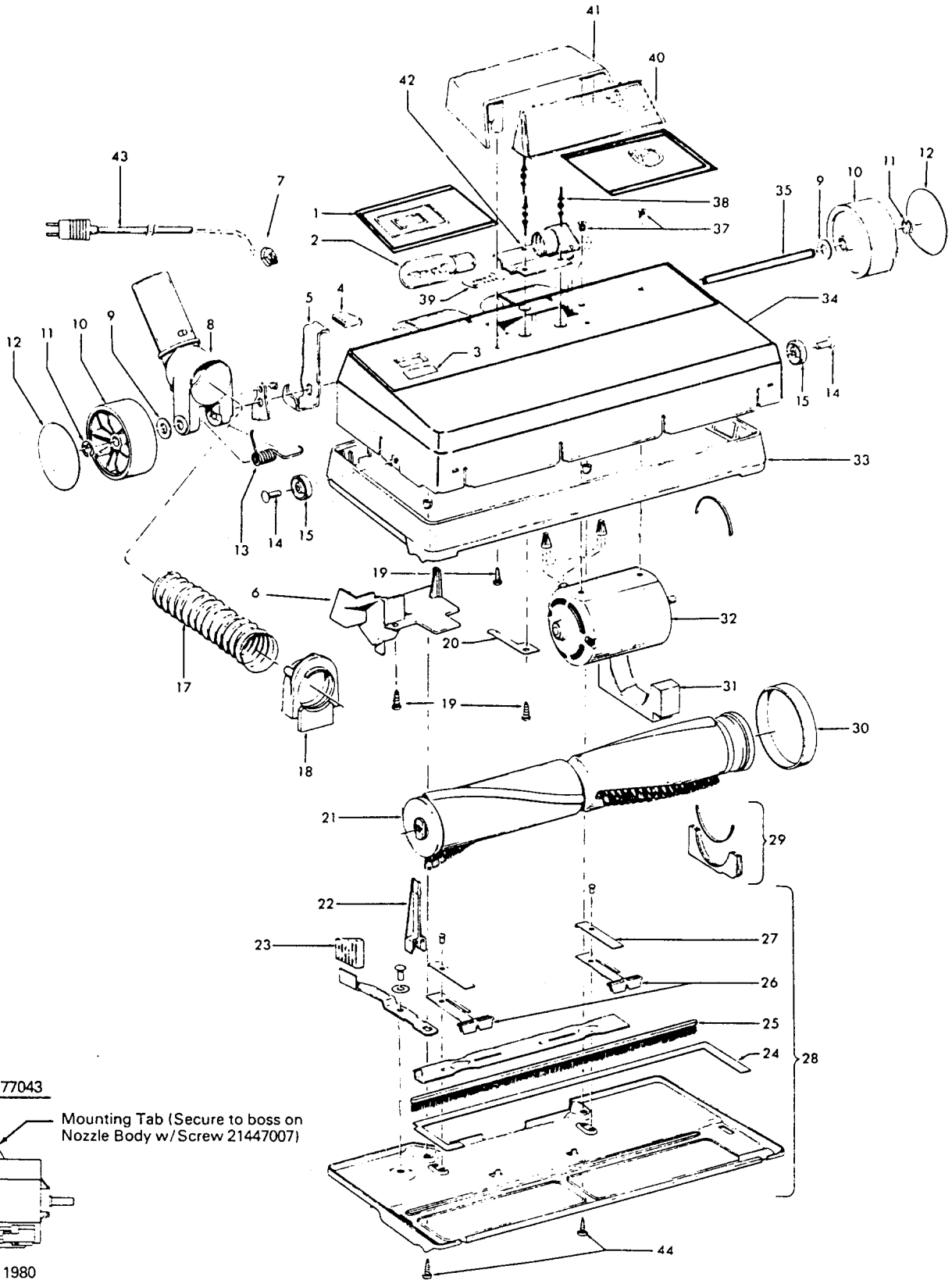


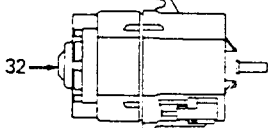
Powered Nozzle

Models S3131, S3131-030, S3133, S3135, S3137, S3139, S3139-035, S3141, S3153, S3173



Motor 43177043

Mounting Tab (Secure to boss on Nozzle Body w/ Screw 21447007)



After Jan. 1980

Powered Nozzle

**Models S3131, S3131-030, S3133, S3135, S3137
S3139, S3139-035, S3141, S3153, S3173**

| Ref. No. | Part No. | Description |
|----------|----------|---|
| 1 | 52125021 | + Nameplate - S3131, S3131-030 |
| | 52125032 | + Nameplate - S3133 |
| | 51375018 | + Nameplate - S3135, S3139, S3139-035, S3141 |
| | 51375027 | + Nameplate - S3137 |
| | 51375025 | + Nameplate - S3139, S3139-035, S3141 |
| | 51375026 | + Nameplate - S3153 |
| 2 | 51375040 | Nameplate - S3173 |
| | 27317307 | Lamp - S3139, S3139-035, S3141, S3153 |
| 3 | 39382013 | + Indicator Lens - S3135, S3137, S3139, S3139-035, S3141, S3153 |
| 4 | 38426072 | + Foot Pad - JM |
| 5 | 34664007 | Release Lever |
| 6 | 37943010 | + Cover |
| 7 | 163768 | Strain Relief |
| 8 | 43468013 | Nozzle |
| 9 | 31155005 | * Washer |
| 10 | 38522001 | Wheel |
| 11 | 13730 | * Lock Ring |
| 12 | 169242 | Wheel Cover |
| 13 | 38355005 | Torsion Spring |
| 14 | 21256025 | Rivet |
| 15 | 32761001 | Wheel |
| 17 | 43431196 | Hose |
| 18 | 38638013 | Hose Adapter |
| 19 | 21429404 | + Screw |
| 20 | 35412003 | Spring |
| 21 | 48416004 | Agitator |
| 22 | 51151031 | + Indicator - JM |
| 23 | 38426080 | Foot Pad |
| 24 | 34123001 | Seal |
| 25 | 48443001 | Brush - S3135, S3137, S3139, S3139-035, S3141, S3153 |
| 26 | 36952008 | Brush Support |
| 27 | 34654003 | Spring |
| 28 | 42246007 | + Bottom Plate |
| | 42246003 | Bottom Plate - S3135, S3137, S3139, S3139-035, S3141, S3153 |
| 29 | 43548001 | + Agitator Seal |
| 30 | 38528009 | Belt |

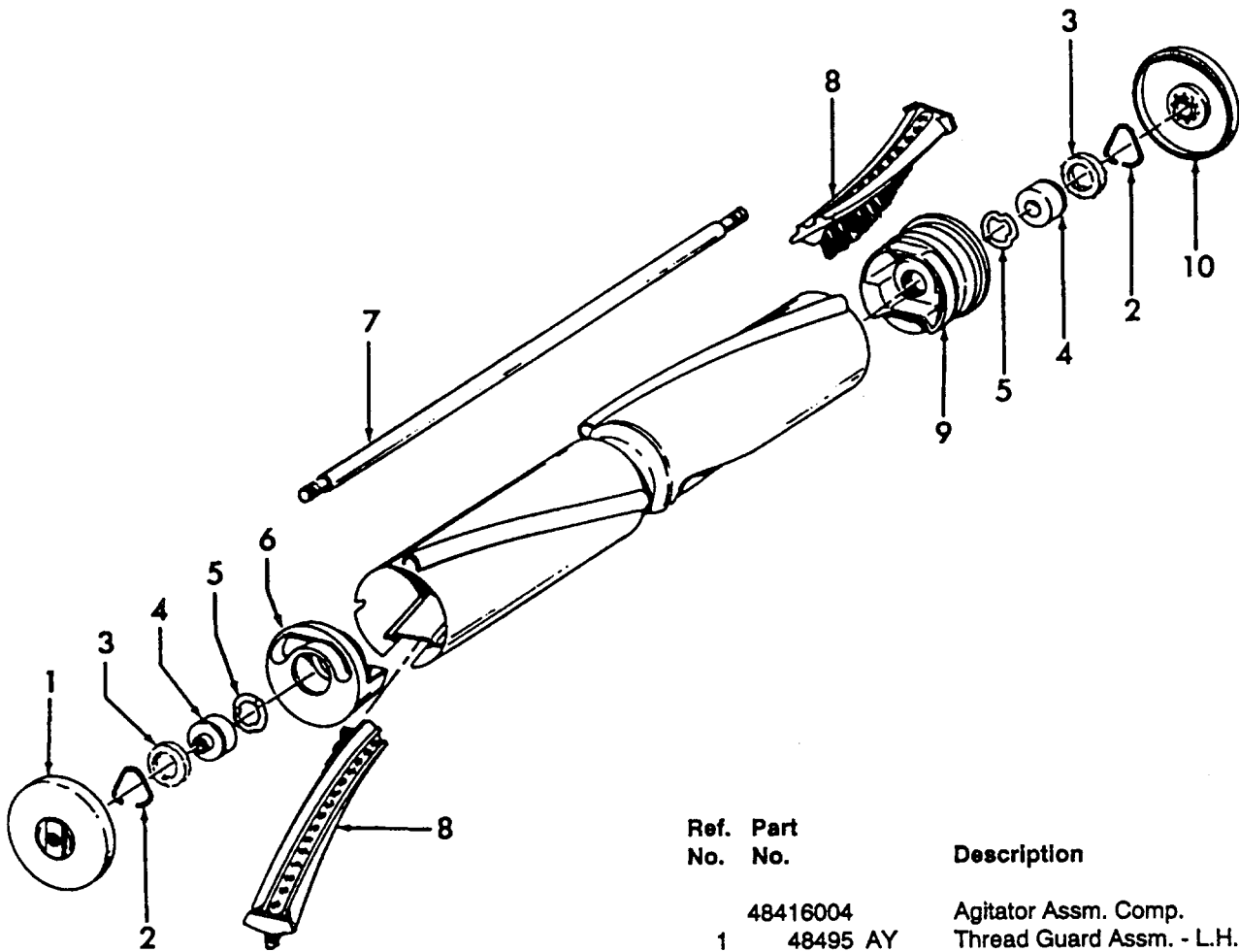
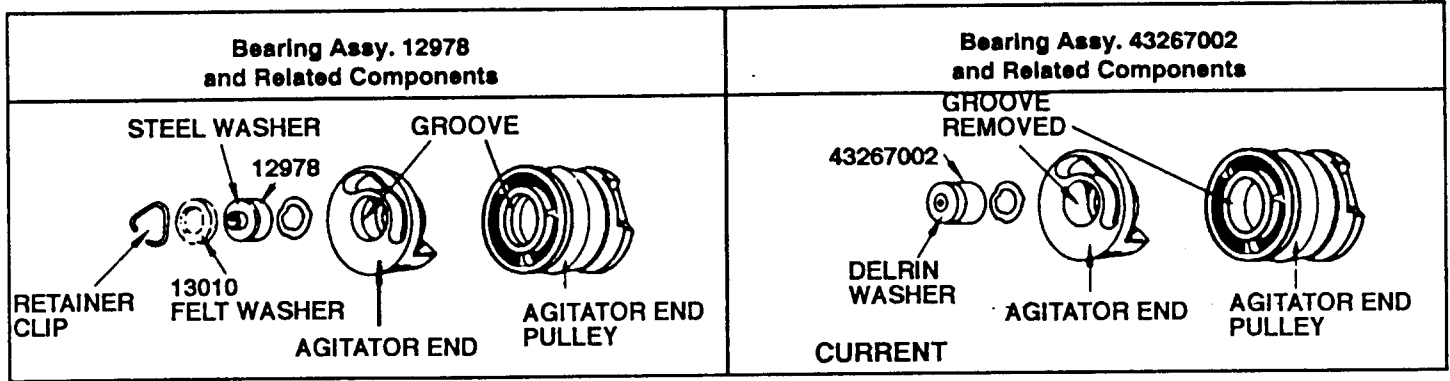
| Ref. No. | Part No. | Description |
|----------|----------|---|
| 31 | 38781003 | Dirt Seal - Prior to Jan. 1980 (Use w/27212011 Motor) |
| | 34284001 | + Motor Baffle - After Jan. 1980 (Use w/43177073 Motor) |
| 32 | 27212011 | + Motor - Prior to Jan. 1980 (Use w/21434224 Screw (2)) |
| | 43177073 | Motor w/Mounting Tab - After Jan. 1980 (Use w/21447007 Screw (1)) |
| 33 | 36235002 | Furniture Guard - JM - S3131, S3131-030, S3135, S3139, S3139-035, S3141 |
| | 42241041 | Nozzle Body - JM |
| 35 | 32543002 | Wheel Shaft |
| 37 | 21434224 | +* Screw (2) - Prior to Jan. 1980 (Use w/27212011 Motor) |
| | 21447007 | * Screw (1) - After Jan. 1980 (Use w/43177073 Motor) |
| 38 | 36218005 | Insulation Grommet |
| 39 | 51638007 | Handle Release Label |
| | 51639026 | + Handle Release Label - S3139, S3139-035, S3141 |
| | 51639027 | + Handle Release Label - S3153 |
| 40 | 39383016 | Lens - KC |
| 41 | 42252001 | Housing Assembly |
| 42 | 27171002 | + Lamp Socket |
| 43 | 46321002 | Attachment Cord - AG |
| 44 | 21447003 | * Screw |

ITEMS NOT ILLUSTRATED

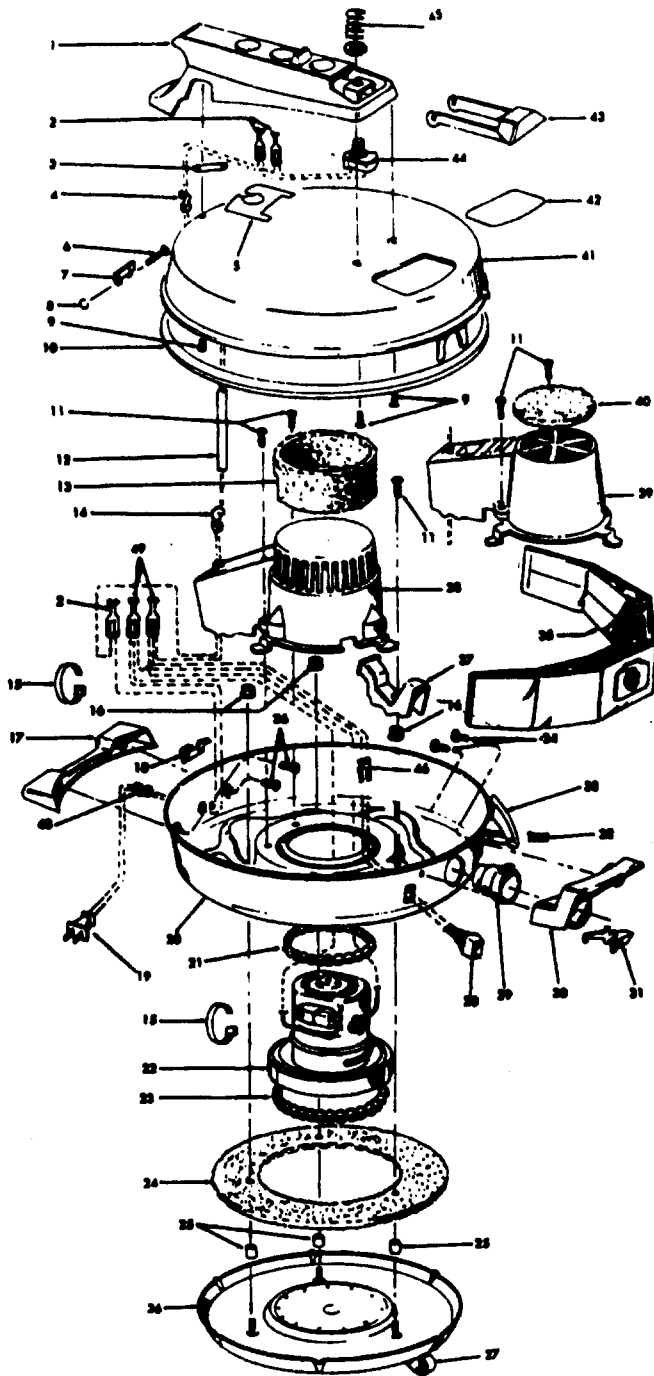
| | |
|----------|--|
| 46348016 | Cord Set - S3131-030 |
| 48438011 | + P.N. Assm. - S3133 |
| 48438012 | + P.N. Assm. - S3131, S3131-030 |
| 48438055 | P.N. Assm. - S3139, S3139-035, S3141, S3153, S3173 |
| 48438014 | + P.N. Assm. - S3137 |
| 48438015 | + P.N. Assm. - S3135 |
| 48438084 | P.N. w/o Lens & Nameplate |
| 34618017 | Bracket Assm. (Use w/27212011 (Plastic Case) when installing on old style Nozzle Body with two mounting holes. |

Agitator

Models S3057, S3059, S3059-030, S3061, S3061-030, S3077, S3079, S3079-030, S3079-035, S3081, S3083, S3083-030, S3093, S3127, S3131, S3131-030, S3133, S3135, S3137, S3139, S3139-035, S3141, S3147, S3149, S3153, S3161, S3173



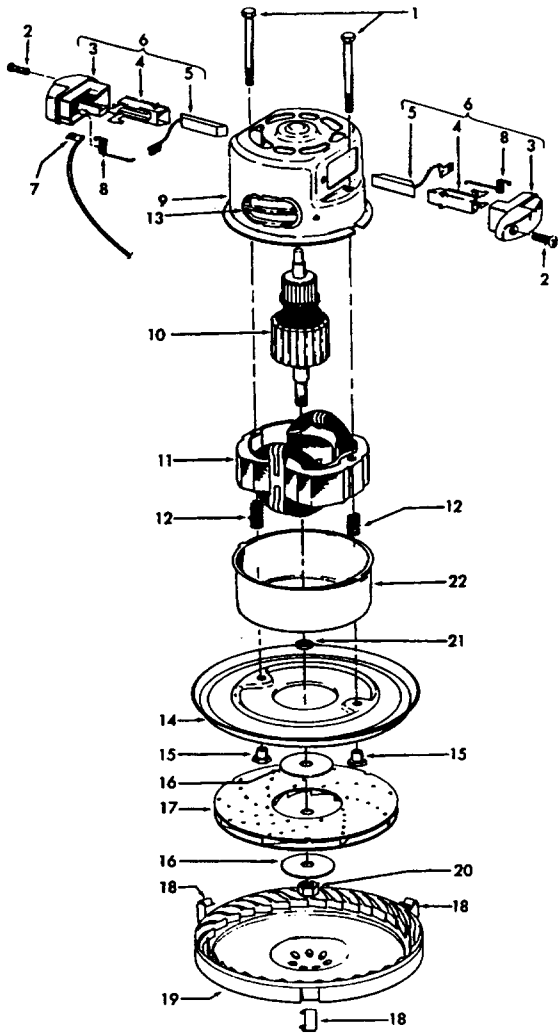
| Ref. No. | Part No. | Description |
|----------|-----------|---|
| | 48416004 | Agitator Assm. Comp. |
| 1 | 48495 AY | Thread Guard Assm. - L.H. |
| 2 | 12987 | +* Retainer Clip (2) |
| 3 | 13010 | * Washer - Felt (2) |
| 4 | 12978 | Agitator Bearing Assm. (2) (Use w/Item 2 & 3) |
| | 43267002 | Agitator Bearing Assm. (2) (Current) |
| 5 | 21347003 | * Washer (2) |
| 6 | 160542 | Agitator End Assm. |
| 7 | 160070 | Agitator Shaft |
| 8 | 160646 BZ | Agitator Brush Back Assm. (2) |
| 9 | 160538 | Agitator End Pulley |
| 10 | 12985 AY | Agitator Thread Guard Assm. - R.H. |



- 56513087 + Owner Manual
- 56513191 + Owner Manual - S3233
- 58185022 + Carton - S3133
- 58185062 + Carton - S3135
- 58185047 + Carton - S3173
- 58185091 + Carton - Common
- 58254001 + Front Bottom Support
- 58336001 + Rear Bottom Support
- 58347002 + Top Support

| Ref. No. | Part No. | Description |
|----------|----------|--|
| 1 | 36433003 | + Tool Rack - LB - S3133, S3173, S323 |
| | 36433002 | + Tool Rack - KX - S3135 |
| 2 | 48969 | * Wire Nut |
| 3 | 21366003 | + Speed Nut |
| 4 | 27482120 | Strain Relief - Pigtail |
| | 27482301 | Strain Relief - Cord |
| 5 | 34363002 | + Wire Shield |
| 6 | 47938 | * Hinge Pin |
| 7 | 35214004 | Hinge Leaf - Upper |
| 8 | 48123AV | +* Lock Ring |
| 9 | 166735EF | + Screw |
| 10 | 170361JM | + Furniture Guard |
| | 170361KY | + Furniture Guard |
| 11 | 17001FW | * Screw |
| 12 | 46311112 | + Pigtail Cord - JM |
| 13 | 38764006 | Filter |
| 14 | 27482227 | Strain Relief |
| 15 | 27479307 | * Wire Tie |
| 16 | 21652003 | + Hex Nut |
| 17 | 36921008 | + Rest Pad - JJ |
| | 36921009 | + Rest Pad - JR |
| 18 | 170348AW | + Hinge Leaf - Lower |
| 19 | 46363195 | Cord - S3133 |
| | 46363224 | Attach. Cord - AAP - S3135 |
| | 46383068 | Attach. Cord - AAP - S3233 |
| 20 | 42213321 | + Intermediate Shell - JJ - S3233 |
| 21 | 169293 | Resilient Mount - Upper |
| 22 | 43177008 | + Motor - (P-39) |
| | 43577074 | + Motor - S3173, S3233 - 3.7 - (P-60) |
| 23 | 169294 | Resilient Mount - Lower |
| 24 | 31114008 | + Muffler |
| 25 | 31721025 | + Spacer |
| 26 | 41421189 | Bottom Pan - JR - S3133, S3135 |
| | 41421311 | + Bottom Pan - JJ - S3173, S3233 |
| 27 | 23737202 | Caster Wheel |
| 28 | 46326096 | + Receptacle |
| 29 | 170352AG | Bag Collar Connector |
| 30 | 39457006 | + Handle - JM |
| | 39457012 | + Handle - JR |
| 31 | 36151012 | Latch |
| 32 | 48512FW | + Spring |
| 33 | 16439JX | + Latch |
| | 16439EW | + Latch |
| 34 | 21447024 | + Screw |
| 35 | 4010009H | Paper Bag (3 Pk.) |
| 36 | 21447014 | * Screw |
| 37 | 37959020 | Wire Cover - JM - S3135 |
| 38 | 37196070 | Motor Cover - JM |
| 39 | 37196033 | + Motor Cover - JM - S3133 |
| 140 | 170332BZ | Filter - S3133 |
| 41 | 42211291 | + Upper Shell - LB - S3133 |
| | 42211338 | Upper Shell - S3135 |
| | 42211294 | + Upper Shell - JX - S3173, S3233 |
| 42 | 52125020 | + Name Plate - S3133 |
| | 52125024 | + Name Plate - S3135 |
| | 52125043 | + Name Plate - S3173, S3233 |
| 43 | 38456071 | + Switch Button - JJ - S3133, S3173, S3233 |
| | 38456065 | + Switch Button - BP - S3135 |
| 44 | 28212026 | Switch |
| 45 | 38314002 | Spring |
| 46 | 34723001 | Retainer |

S3073, S3073-030, S3079, S3079-030, S3079-035, S3081,
 S3083, S3083-030, S3093, S3121, S3123, S3125, S3125-030,
 S3127, S3131, S3131-030, S3133, S3135, S3147, S3149, S3159
 S3161, S3165, S3167, S3169, S3215



| Ref. No. | Part No. | Description |
|----------|----------|---|
| 1 | 33421004 | + Field Lamination Bolt |
| 2 | 21429406 | * Screw |
| 3 | 167696AG | Brush Housing - Only |
| 4 | N/A | Brush Holder - Use Brush Carrier Assem. 47318008 It. 6. |
| 5 | 167681 | Carbon Brush & Terminal |
| 6 | 47318008 | Brush Housing - Comp. |
| 7 | 27666551 | * Terminal |
| 8 | 38353004 | Spring |
| 9 | 169707 | Motor Housing - Upper |
| 10 | 168479 | Armature |
| 11 | 168470 | + Field |
| 12 | 167721FW | Spring |
| 13 | 169702BZ | + Bushing |
| 14 | 169713FW | Motor Mounting Plate |
| 15 | 167695EF | Nut |
| 16 | 21312774 | + Washer |
| 17 | 43566006 | + Fan |
| 18 | 34785004 | Spring Clip |
| 19 | 169714AG | + Diffuser |
| 20 | 33426001 | Nut |
| 21 | 31148002 | Spacer |
| 22 | 41823002 | Motor Housing - Lower |

Cleaning Tools

Models S3131, S3131-030, S3133, S3135, S3137 S3139, S3139-035, S3141, S3153, S3173

| Ref. No. | Part No. | Description |
|----------|----------|------------------------------------|
| 1 | 43434191 | Hose - ABX - S3131 |
| | 161852JM | + Furniture Brush |
| | 43414016 | Furniture Brush - AG |
| 3 | 13077JM | + Floor Brush |
| | 43414073 | Floor Brush |
| 4 | 161851JM | + Dusting Brush |
| | 43414064 | Dusting Brush (One Piece) |
| 5 | 43414057 | Furniture Nozzle |
| 6 | 38617017 | Crevice Tool |
| 7 | 43453052 | Ext. Tube - 20 - AX |
| | 43453088 | Ext. Tube (2) (17") |
| | 43453086 | + Ext. Tube (1) (22") |
| 8 | 43433085 | Current Carrying Hose - AAP |
| 9 | 13263 | + Brush (Use w/ 61851 JM) |
| 10 | 13253AG | + Brush |
| 11 | 13276 | Swivel Bushing (2) (Use w/13154JM) |
| | 33712007 | Split Ring (Use w/38644040) |
| 12 | 13154 | + Swivel Connector (Use w/13077JM) |
| | 38644040 | Swivel Connector (Use w/48473025) |
| 14 | 13149JM | Connector Tube (Use w/161852JM) |

| Ref. No. | Part No. | Description |
|----------|----------|----------------------------|
| 15 | 32855003 | Hose Connector |
| 16 | 12615BZ | Collar |
| 17 | 32156010 | Hose Sleeve |
| 18 | 43434213 | Hose Complete |
| 19 | 36116006 | Collar |
| 20 | 43466044 | Hose Grip - JM |
| 21 | 38711006 | Suction Control Ring |
| 22 | 51869006 | Label |
| 23 | 36153009 | Latch Ring |
| 24 | 12783 | +* Rivet |
| 25 | 36171005 | Cord Clip |
| 26 | 12845JM | Gasket |
| 27 | 13275 | +* Screw |
| 28 | 13142AG | Suction Control |
| 29 | 13257BZ | Support |
| 30 | 43468055 | Hose Tube (Early) 17" |
| | 43453023 | Hose Tube Curved - AX - 20 |
| 31 | 36153009 | Latch Ring |
| 32 | 46321076 | Cord Repair Kit |

