

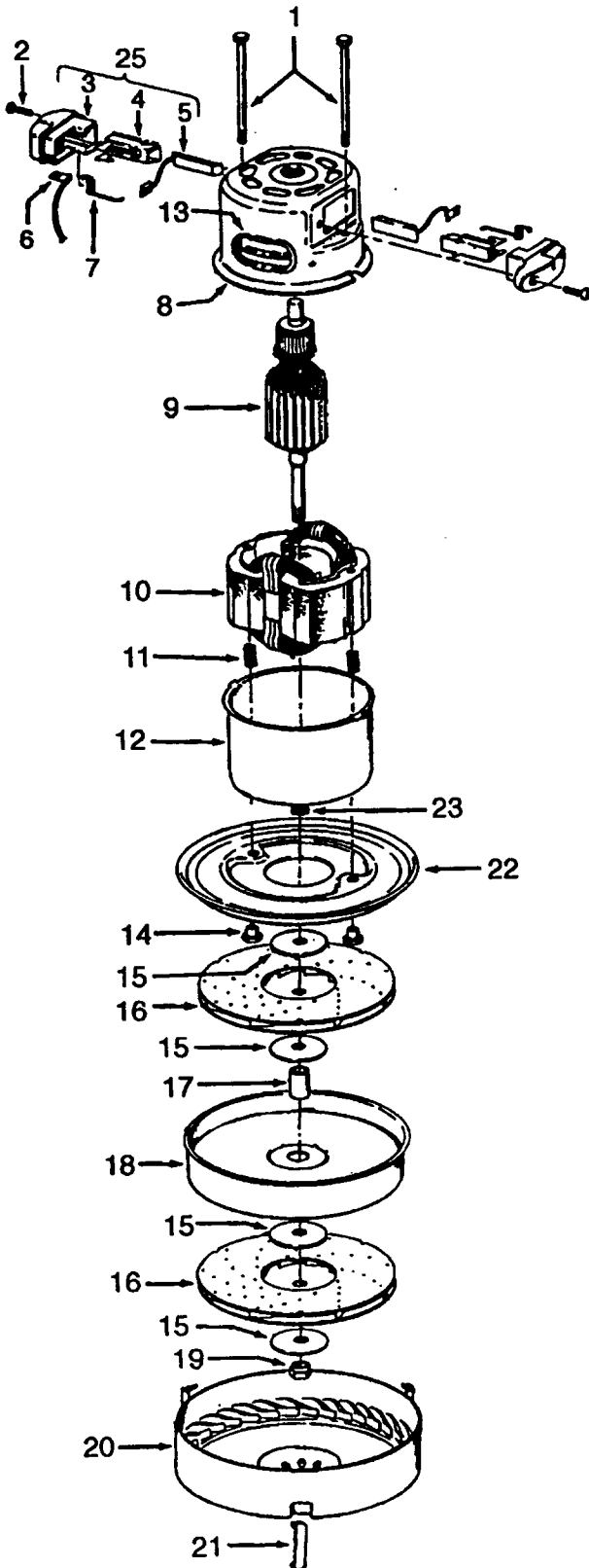
| Ref. No. | Part No. | Description |
|----------|----------|---------------------------|
| 1 | 36433034 | Tool Rack - LZ |
| 2 | 37215123 | + Cord Reel Cover - KP |
| 3 | 36218014 | + Cord Guide |
| 4 | 46383068 | Attach. Cord - AG |
| 5 | 46831106 | Cord Reel - AAP |
| 6 | 31193010 | + Seal |
| 7 | 21366004 | * Speed Nut |
| 8 | 34141004 | +* Wire Shield |
| 9 | 48969 | * Wire Nut |
| 10 | 47348045 | Brush Block |
| 11 | 34135006 | + Insulator |
| 12 | 21447003 | * Screw |
| 13 | 47938 | * Hinge Pin |
| 14 | 27482120 | Strain Relief |
| 15 | 35214004 | Hinge Leaf - Upper |
| 16 | 48123AV | +* Lock Ring |
| 17 | 170361JM | + Furniture Guard |
| 18 | 21447014 | * Screw |
| 19 | 21447003 | * Screw |
| 20 | 38764006 | Filter |
| 21 | 17001FW | * Screw |
| 22 | 27482227 | Strain Relief |
| 23 | 37196060 | + Motor Cover - JM |
| 24 | 46311142 | Pigtail Cord - AAP |
| 25 | 27479307 | * Wire Tie |
| 26 | 36921008 | + Rest Pad - JJ |
| 27 | 170348AV | + Hinge Leaf - Lower |
| 28 | 42213325 | + Intermediate Shell - JJ |
| 29 | 169293 | Resilient Mount - Upper |
| 30 | 43577101 | Motor - 2.6 - (P - 90) |
| 31 | 169294 | Resilient Mount - Lower |
| 32 | 31114008 | + Muffler |
| 33 | 31721025 | + Spacer |
| 34 | 41421298 | Bottom Pan - JJ |
| 35 | 23737202 | Caster Wheel |
| 36 | 170352AG | Bag Collar Connector |
| 37 | 36151012 | Latch - BZ |
| 38 | 39457006 | + Handle - JM |
| 39 | 48512FW | + Spring |
| 40 | 16439JX | + Latch |
| 41 | 160862 | +* Screw |
| 42 | 21447014 | * Screw |
| 43 | 21652003 | + Hex Nut |
| 44 | 4010009H | Paper Bag (3 Pk.) |
| 45 | 38198 | +* Screw |
| 46 | 21447009 | * Screw |
| 47 | 42211301 | + Upper Shell - KP |
| 48 | 52125022 | + Nameplate |
| 49 | 38332001 | + Spring |
| 50 | 43138024 | + Brake Assm. w/Pad |
| 51 | 28212008 | + Switch |
| 52 | 37215132 | + Cover Plate - KP |
| 53 | 21447017 | +* Screw |
| 54 | 34661007 | + Cam |
| 55 | 34783003 | Pedal Spring |
| 56 | 31514004 | + Shaft |
| 57 | 38433051 | + Switch Pedal |
| 58 | 38433060 | + Brake Pedal |

ITEMS NOT ILLUSTRATED

| | |
|----------|-------------------------------------------|
| 46831076 | Commutator (Component of Cord Reel Assm.) |
| 56513103 | + Owner Manual |
| 58177087 | + Cleaner Carton |
| 58254001 | + Front Bottom Support |
| 58336001 | + Rear Bottom Support |
| 58346003 | + Top Support |

Celebrity Motor

Models S3129, S3137, S3171, S3187, S3193, S3195, S3199, S3201, S3219, S3237, S3239

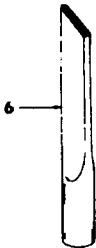
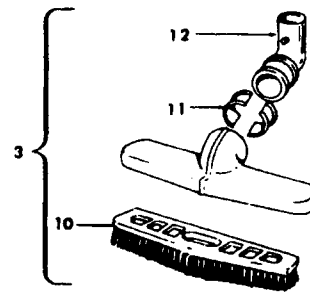
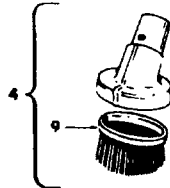
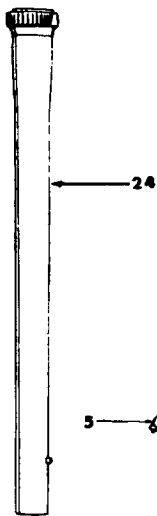
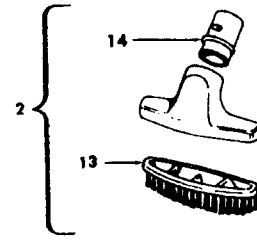
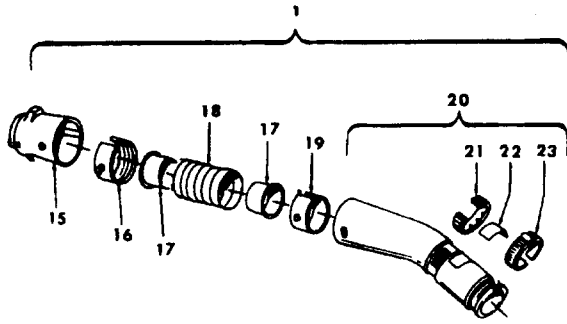


Motor - 2 Speed 43577093 (3.7) Motor - 43577101 (2.6)

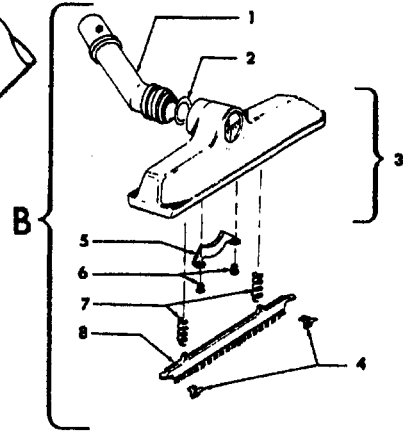
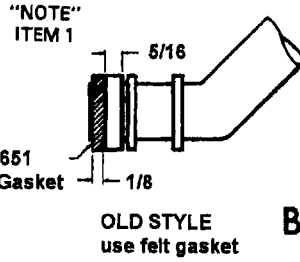
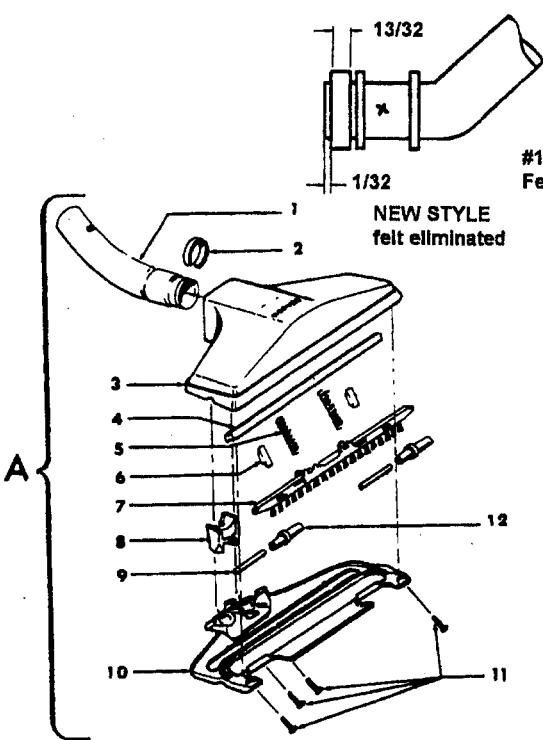
| Ref. No. | Part No. | Description |
|----------|----------|---------------------------------------------------------------|
| | 43577101 | Motor - (2.6) S3129, S3137, S3171, S3187, S3193, S3195, S3219 |
| | 43577093 | Motor Comp. - (3.7) S3199, S3201, S3237, S3239 |
| 1 | 12022 | Field Bolt |
| 2 | 21429406 | * Screw |
| 3 | 168038 | Brush Carrier |
| 4 | 168506-- | Brush Holder |
| 5 | 167679 | Carbon Brush |
| 6 | 27666551 | * Terminal |
| 7 | 38353004 | Spring |
| 8 | 169706 | Motor Housing - Upper |
| 9 | 44765078 | Armature (2.6) |
| | 44765106 | Armature (3.7) |
| 10 | 45311017 | + Field Coll (2.6) |
| | 45311018 | + Field Coll (3.7) 2-Speed |
| 11 | 167721FW | Spring (3.7) |
| | 38311016 | + Spring (2.6) |
| 12 | 41823001 | Motor Housing - Lower |
| 13 | 169702BZ | + Bushing |
| 14 | 167695EF | Nut |
| 15 | 21312774 | + Washer |
| 16 | 43566006 | + Fan |
| 17 | 31732003 | Spacer |
| 18 | 169712 | + Interstage |
| 19 | 33426001 | Nut |
| 20 | 37218005 | Diffuser |
| 21 | 34786002 | Spring Clip |
| 22 | 169713FW | Mounting Plate |
| 23 | 31148002 | Spacer |
| 25 | 168506 | Brush Carrier Assm. |

Cleaning Tools

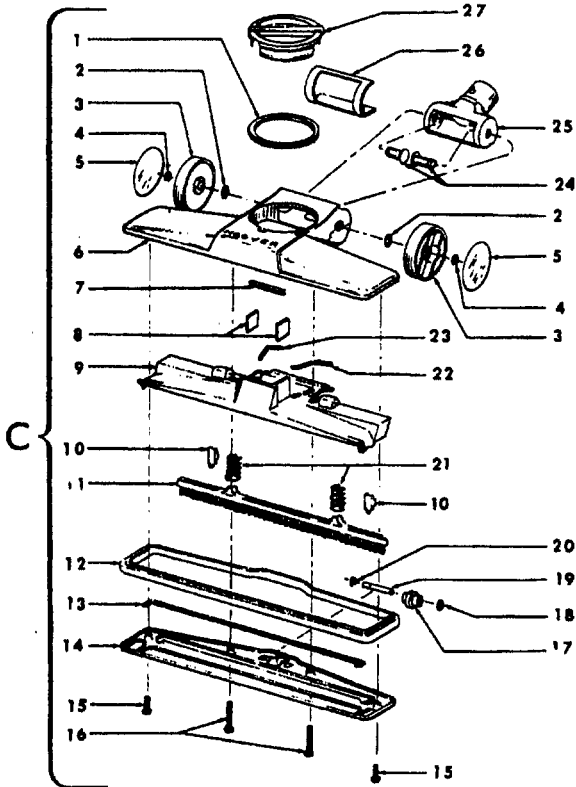
Models S3121, S3123, S3125, S3125-035, S3129
S3165, S3169, S3171



| Ref. No. | Part No. | Description |
|----------|----------|------------------------------------|
| 1 | 43434191 | Hose - JM |
| 2 | 161852JM | + Furniture Brush |
| | 43414016 | Furniture Brush - AG |
| 3 | 13077JM | + Floor Brush |
| | 43414073 | Floor Brush |
| 4 | 161851JM | + Dusting Brush |
| | 43414064 | Dusting Brush (One Piece) |
| 5 | 43414057 | Furniture Nozzle |
| 6 | 38617017 | Crevice Tool |
| 7 | 43453027 | Extension Tube |
| 8 | 12845JM | Gasket |
| 9 | 13263 | + Brush (Use w/161851JM) |
| 10 | 13253AG | + Brush Back |
| 11 | 13276 | Swivel Bushing (2) (Use w/13154JM) |
| | 33712007 | Split Ring (Use w/38644040) |
| 12 | 13154JM | + Swivel Connector (Use w/13077JM) |
| | 38644040 | Swivel Connector (Use w/48473025) |
| 13 | 13254BZ | + Brush (Use w/161852JM) |
| 14 | 13149JM | Connector Tube (Use w/161852JM) |
| 15 | 32855003 | Hose Connector |
| 16 | 12615BZ | Collar |
| 17 | 32156010 | Sleeve |
| 18 | 43434213 | Hose Complete |
| | 43434203 | Hose Complete |
| 19 | 36116006 | Collar |
| 20 | 43466044 | Hose Grip-JM |
| 21 | 38711006 | Suction Control Ring |
| 22 | 51869006 | Label |
| 23 | 36153009 | Latch Ring |
| 24 | 3863801P | Extension Tube - Poly - AG |
| | 170110 | + Shag Rake- S3165 |



| | | |
|----|----------|------------------------------------------------------|
| A | 43414101 | + Rug & Floor Nozzle - AAP - S3125, S3125-035, S3171 |
| 1 | 43463012 | + Connector Tube |
| 2 | 13267 | +* Felt Gasket |
| 3 | 38615156 | + Nozzle Body - JM |
| 4 | 13259PH | + Litter Picker |
| 5 | 15963FW | + Spring |
| 6 | 13261AY | * Rib Shoe |
| 7 | 16184 | + Brush Back |
| 8 | 161413 | +* Tube Retainer |
| 9 | 13272 | + Roller Shaft |
| 10 | 42246002 | + Bottom Plate |
| 11 | 12955 | * Screw |
| 12 | 13157AG | + Roller |



| | | |
|----|----------|----------------------------------------------------------------------|
| B | N/A | Rug & Floor Nozzle AAP - S3121, S3123, S3165, S3169 - (Use 4341401P) |
| 1 | 166652JM | Nozzle Tube (See Note) |
| 2 | 166651 | Gasket |
| 3 | 43414089 | Nozzle Body - JM |
| 4 | 166646 | Brush Retainer |
| 5 | 166650AY | + Tube Clamp |
| 6 | 166648AW | + Screw |
| 7 | 166649FW | Spring |
| 8 | 166656 | Brush Back |
| C | 43414101 | + Rug & Floor Nozzle - AAP - S3129 |
| 1 | 34113001 | + Foam Seal |
| 2 | 169241AW | * Washer |
| 3 | 169239AG | Wheel |
| 4 | 13730 | * Lock Ring |
| 5 | 169242 | Wheel Cover |
| 6 | 38615160 | Nozzle Body - JM |
| 7 | 34112001 | * Foam Seal |
| 8 | 34223002 | + Felt Seal |
| 9 | 169250AG | + Brush Housing |
| 10 | 169253AY | + Rib Shoe |
| 11 | 169256 | + Brush Back |
| 12 | 169247JM | + Furniture Guard |
| 13 | 169251 | + Gasket |
| 14 | 169538 | + Bottom Plate |
| 15 | 21481464 | + Screw |
| 16 | 21481465 | + Screw |
| 17 | 169243AG | Roller |
| 18 | 21312758 | +* Washer |
| 19 | 169244AW | Roller Shaft |
| 20 | 24735081 | * Lock Ring |
| 21 | 166649FW | Spring |
| 22 | 34513001 | Foam Seal - L.H. |
| 23 | 34513002 | Foam Seal - R.H. |
| 24 | 169240AY | + Wheel Shaft |
| 25 | 169249JM | + Connector Tube |
| 26 | 34122006 | Seal |
| 27 | 169254JM | + Control Knob |