

| Ref. No. | Part No. | Description |
|----------|----------|--|
| 1 | 48655230 | Handle Assm. - Upper Half - Molded |
| | 48655215 | Handle Assm. - Upper Half - Metal |
| 2 | 46363137 | Attachment Cord - AAP |
| 3 | 27482301 | Strain Relief Bushing - S2103 |
| | 27482141 | Strain Relief Bushing - S2131 |
| 4 | 21447003 | * Screw - Self Tapping (4) |
| 5 | 39454006 | Handle Grip |
| 6 | 47831007 | Diode Assm. |
| 7 | 31744023 | * Tubing - JM |
| 8 | 27479307 | * Lead Wire Tie (2) |
| 9 | 12227 | Insulated Terminal (5) |
| 10 | 46143064 | Black Lead Wire |
| 11 | 37258082 | Terminal Shield |
| 12 | 28179105 | + Switch |
| 13 | 21631302 | Handle Bolt - AW/AY |
| 14 | 37226079 | Handle Cover |
| 15 | 12227 | Insulated Terminal (5) |
| 16 | 32277021 | Handle Nut - AW/AY (2) |
| 17 | 37225008 | Bag Cap Outer - AAP |
| 18 | 38781012 | Gasket |
| 19 | 37225010 | Bag Cap Inner - BZ |
| 20 | 38315012 | + Spring Compression |
| 21 | 32458003 | + Handle - Upper Half - Molded |
| | 48631138 | + Handle - Upper Half - Metal (Incl. Spiral Pin) |
| 22 | 46513006 | Motor Lead Wire Assm. Comp. |
| 23 | 43662032 | Bag Assm. - S2103 |
| | 43662025 | Bag Assm. - ABN - S2131 |
| 24 | 21434288 | +* Screw - Self Tapping (5) |
| 25 | 36171046 | Clamp Band - AAP |
| 26 | 41424038 | Bag Support Assm. - NAA - S2103 |
| | 42223167 | Bag Support Assm. - ABN - S2131 |
| 27 | 34123036 | Gasket |
| 28 | 32355012 | Handle - Lower Half - Molded |
| | 31756023 | Handle - Lower Half - Metal |
| 29 | 21434287 | * Screw - Self Tapping - FW (8) |
| 30 | 21329104 | +* Washer - Fiber |
| 31 | 37196098 | Motor Cover - NAA - S2103 |
| | 37196103 | Motor Cover - AG - S2131 |
| 32 | 21261351 | Plastic Rivet - Use w/Metal Tube |
| | 21264022 | Plastic Rivet - Use w/Molded Tube |
| 33 | 38775044 | + Dirt Cup |
| 34 | 38562023 | Cam - MV |
| 35 | 38452090 | Lever |
| 36 | 46143065 | White Lead Wire |
| 37 | 47318022 | + Motor Brush & Spring Assm. |
| 38 | 34152010 | Insulator (2) |
| 39 | 42196005 | Motor Brush Housing Assm. - AG |

| Ref. No. | Part No. | Description |
|----------|----------|--|
| 40 | 45312098 | Field - S2103, S2131 Before S/N 0793-63886 |
| | 45317036 | Field - S2131 After S/N 0793-63886 |
| 41 | 21338030 | * Lockwasher (2) |
| 42 | 21479439 | +* Screw (2) - S2103, S2131 Before S/N 0793-63886 |
| | 21479438 | * Screw (2) - S2131 After S/N 0793-63886 |
| 43 | 44731074 | Armature Assm. Kit - S2103, S2131 Before S/N 0793-63886 (Incl. Items 44,45,47) |
| | 44731073 | Armature - S2131 After S/N 0793-63886 |
| 44 | 21378012 | C-Clip w/Flat |
| | 21378010 | C-Clip (All Early Models) |
| 45 | 21378013 | C-Clip Retainer w/tabs |
| | 21378011 | C-Clip Retainer (All Early Models) |
| 46 | 37193010 | Motor Housing - NAA - S2103 |
| | 37193013 | Motor Housing - ABN - S2131 |
| 47 | 42193022 | + Bearing Plate Assm. (Early Models) |
| | 43265006 | + Bearing Plate Assm. |
| 48 | 21434288 | +* Screw - Self Tapping (4) |
| | 31146008 | Spacer |
| 50 | 38755018 | Fan - AG |
| 51 | 37196088 | Fan Cover - JM - S2103 |
| | 37196096 | + Fan Cover - ABN - S2131 |

ITEMS NOT ILLUSTRATED

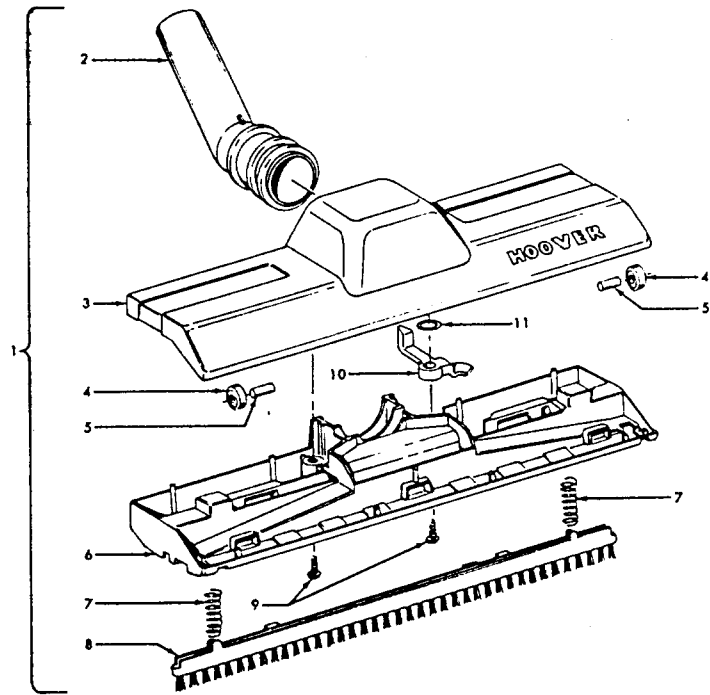
| | |
|----------|--|
| 38784043 | Housing Gasket |
| 34264004 | +* Handle Separator - Use w/Metal Handle |
| 21157003 | * Spiral Pin - Used w/Metal Handle |

PACKAGING MATERIAL - S2103

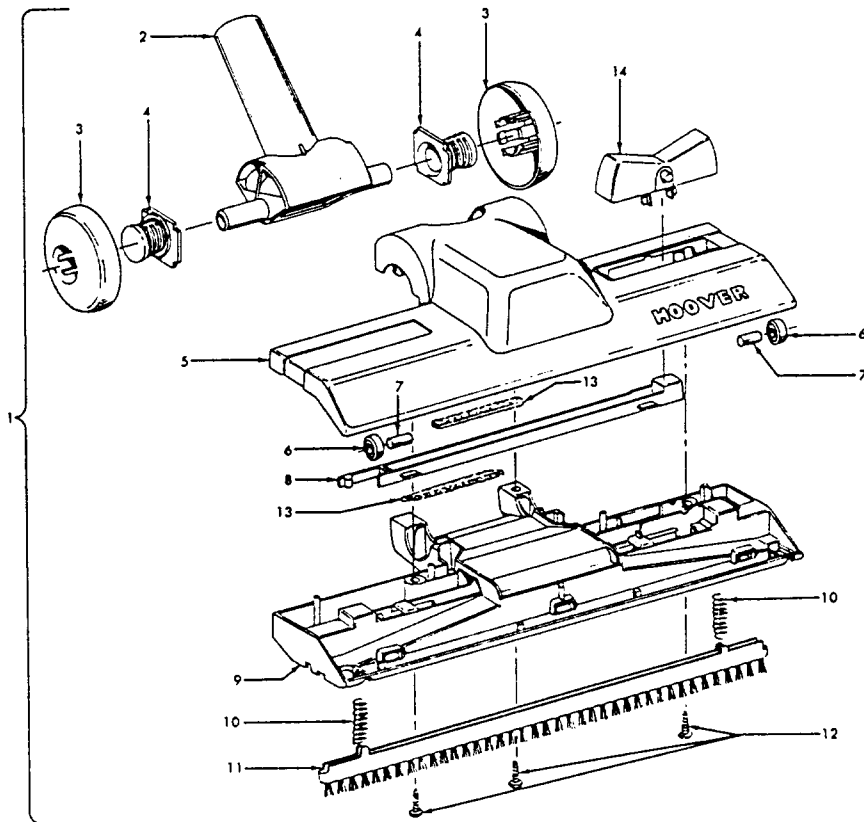
| | |
|----------|------------------|
| 58132047 | + Carton |
| 58212006 | + Nozzle Support |
| 58353011 | + Carton Support |
| 58351023 | + End Support |
| 56512127 | Owner Manual |

PACKAGING MATERIAL - S2131

| | |
|----------|-------------------|
| 58132076 | + Carton |
| 58212007 | + Nozzle Support |
| 58353011 | + Cleaner Support |
| 56512158 | + Owner Manual |



Model S2099



Rug & Floor Nozzle

Models S2095, S2097, S2103, S2131, S2135

| Ref. No. | Part No. | Description |
|----------|----------|----------------------------|
| 1 | 43414180 | Rug & Floor Nozzle - ABE |
| 2 | 38646078 | Nozzle Tube - AAP |
| 3 | 38615153 | + Rug & Floor Nozzle - AAP |
| 4 | 38521018 | Roller (2) |
| 5 | 31511004 | Roller Axle-AY (2) |
| 6 | 36414018 | Brush Housing |
| 7 | 166649FW | Spring (2) |
| 8 | 48443003 | Brush Back Assm. - AG |
| 9 | 21447203 | * Screw - Self Tapping (2) |
| 10 | 38454004 | Brush Back Lever - MV |
| 11 | 21329105 | + Felt Washer |

Model S2099

| Ref. No. | Part No. | Description |
|----------|----------|---|
| 1 | 43414161 | Deluxe Rug & Floor Nozzle Assm. - ABE/ABR |
| 2 | 38646071 | Nozzle Connector - AAP |
| 3 | 43244043 | Wheel & Bearing Assm. (2) |
| 4 | 38511016 | + Wheel Bearing - AAT (2) |
| 5 | 38615180 | Rug & Floor Nozzle - AAP |
| 6 | 38521018 | Roller (2) |
| 7 | 31511004 | Roller Axle - AY (2) |
| 8 | 38451008 | Slider - AG |
| 9 | 36414013 | + Brush Housing - MV |
| 10 | 166649FW | Spring (2) |
| 11 | 48443004 | Brush Back Assm. - AG |
| 12 | 21447203 | * Screw - Self Tapping (3) |
| 13 | 34122013 | + Seal (2) |
| 14 | 38434015 | Pedal - MV |