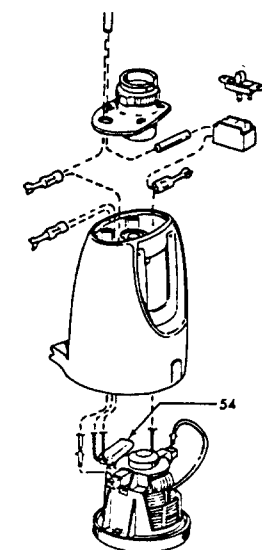


ONE SPEED-SLIDE SWITCH  
LATE S2041's/S2057's

LATE MODEL S2041's/S2057's  
W/THERMAL PROTECTOR



# Quik-Broom - Single Speed

# Model S2041, S2057

Ref.	Part Description	No.	No.
1	12230JM	+	Handle Grip - S2041
2	48645023		Handle/Grip Assm. - S2041
	48643084		Handle - JM - S2057
3	46383068		Attach. Cord
4	163768		Strain Relief
5	36153009		Latch Ring
6	42227070	+	Closure Plate/Latch Ring - Model S2041's/S2057's equipped w/toggle Switch
	42227098		Closure Plate/Latch Ring - Model S2041's/S2057's equipped w/Slide Switch
7	12227		Insulated Terminal
8	42222100		Motor Housing w/thermal Protector - Model S2041
	42222093		Motor Housing w/thermal Protector - Model S2057
9	12954	*	Screw - Self Tapping
10	31514001		Hinge Pin
11	161549	+	Washer
12	15316	+	Motor Mount
13	161749AG	+	Brush Holder
14	47311004		Motor Brush & Spring
15	161876	+	Terminal
16	162911	+	Screw
	21312759	+	Washer
	162910	+	Nut
17	15278	*	Fiber Washer
18	49344	+	Insulator
19	44731003		Armature & Fan
20	163441		Fan Housing & Bearing Assm.
21	15315	+	Motor Gasket
22	163416		Clip
23	19586AG	+	Bulkhead
24	15330	+	Bag Housing Gasket
25	21312719	+	Washer
26	15850	+	Bearing Retainer Support
27	12012	+	Absorbent Washer
28	15851	+	Bearing Retainer
29	24117209	+	Motor Bearing
30	15295	*	Felt Washer
31	45312054	+	Motor Case & Field Assm. - Model S2041's/S2057's equipped w/toggle Switch
	45312055		Motor Case & Field Assm. - Model S2041's/S2057's equipped w/Slide Switch
32	23715105		Latch
33	21447003	*	Screw - Self Tapping - S2041
	12954	*	Screw - Self Tapping - S2057
34			Pop Rivet - 1/8" Dia. x 3/8" Long - S2041
	16195	+	Rivet - S2057
35	48662007		Handle/Muffler Assm. (Incl. Items 36, 37,38,39,40) - S2041

Ref.	Part Description	No.	No.
36	34544001		Exhaust Diffuser - L. H. - S2041
	34544002		Exhaust Diffuser - R.H. Shown S2041
37	34123013		Handle & Muffler Foam Seal (2) - S2041
38	34123012		Handle & Muffler Foam Seal - S2041
39	39383034		Indicator Lens - BU - S2041
40	51151045	+	Full Bag Indicator - BZ - S2041
41	31722007	*	Insulator
42	15317	+	Switch Pad - Model S2041's/S2057's equipped w/Toggle Switch
43	12971		Switch (Toggle) Early Model S2041 's/ S2057 's
44	161350	+	Terminal - Model S2041's/S2057's equipped w/Toggle Switch
45	15738EF	+	Screw - Self Tapping
46	43615001		Cassette Assm.
47	43523001	+	Adapter Tube & Valve
48	32352001		Cassette Gasket
49	42223112		Bag Housing Assm. - S2041
	42223107		Bag Housing Assm. - DS - S2057
50	4010002E		Throw Away Bag - (3-Pk.)
51	28177005	+	Switch (Slide) - Late Model S2041 's/ S2057 's
52	27666702	*	Terminal - Model S2041's/S2057's equipped w/Slide Switch
53	37922002		Terminal Shield - Model S2041 's/ S2057 's equipped w/Slide Switch
54	28382028		Thermal Protector - Late Model S2041 's, S2057 's

### ITEMS NOT ILLUSTRATED

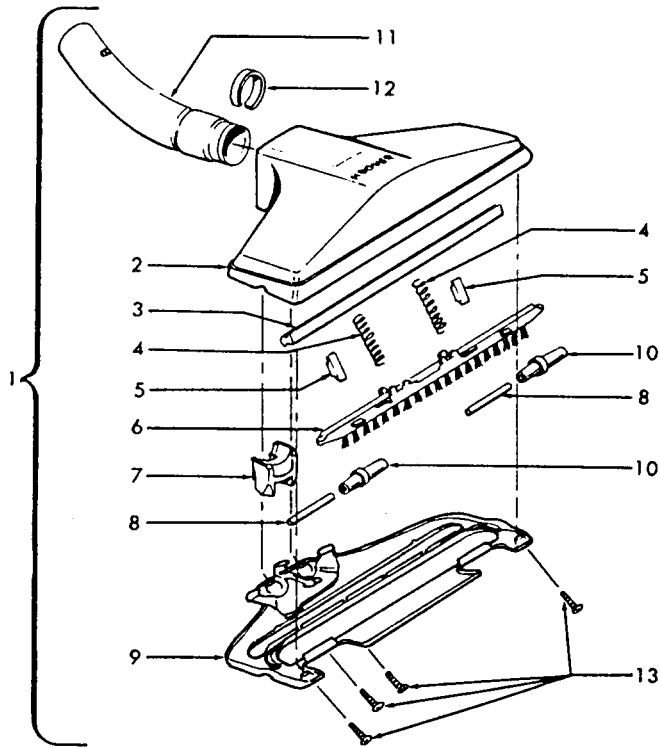
	43576019	+	Motor Assm. Comp. - Single Speed - Toggle Switch - Early Model S2041 's/ S2057 's
	43576051		Motor Assm. Comp. - Single Speed Slide Switch - Late Model S2041 's/ S2057 's
	52135016	+	Decal (Handle/Muffler Assm.) - S2041
	21447026	+	Screw - Self Tapping (2) (Secures Item 35 Handle/Muffler Assm. to Item 8 Motor Housing Assm.) - S2041
	16547	+	Medallion (Motor Housing) - S2057

### PACKAGING MATERIAL

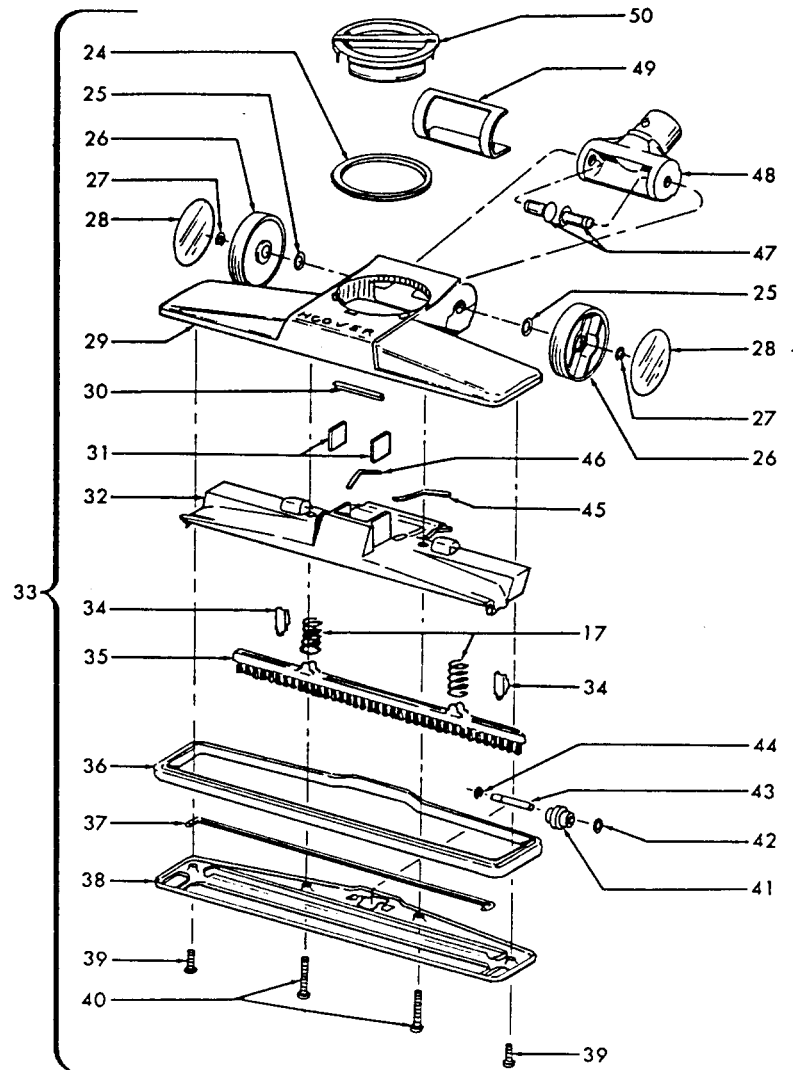
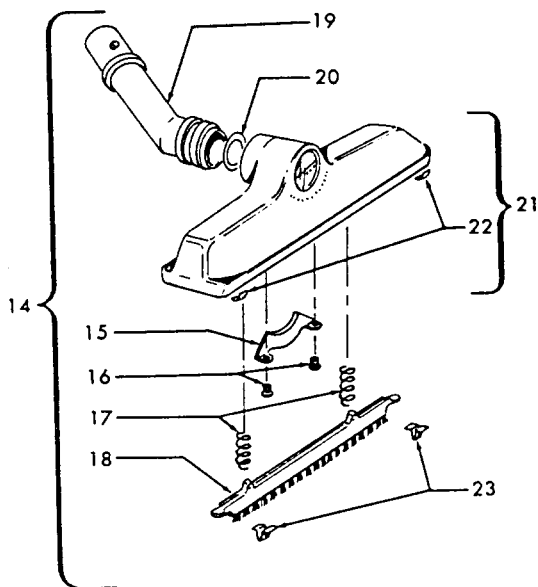
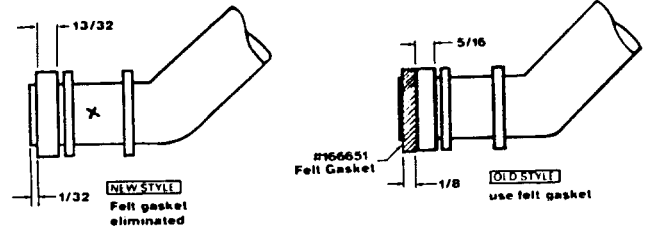
	164319	+	Carton - S2057
	58134029	+	Carton - S2041
	58315005	+	Carton Support
	56512054	+	Owner Manual - S2041
	56512071	+	Owner Manual - S2057

# Rug & Floor Nozzle

Models 2910, S2005, S2007, S1021, S1021-030, S2013, S2015, S2029, S2031, S2033, S2047, S2053, S2053-032, S2053-042, S2053-942, S2055, S2057, S2085



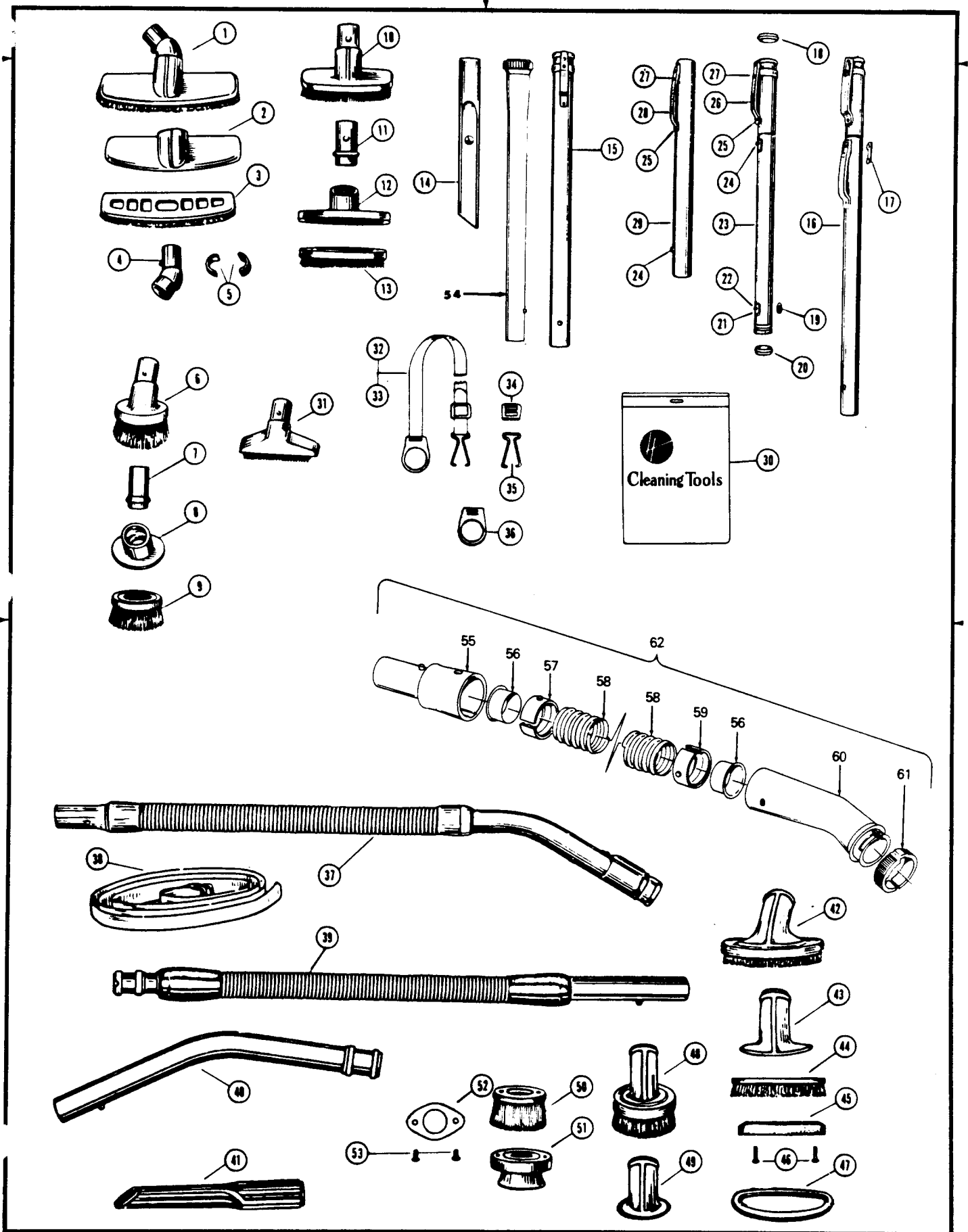
"NOTE"  
ITEM 19



# Rug & Floor Nozzle

# Models 2910, S2005, S2007, S1021, S1021-030, S2013, S2015, S2029, S2031, S2033, S2047, S2053, S2053-032, S2053-042, S2053-942, S2055, S2057, S2085

Ref.	Part Description	No.	No.	Ref.	Part Description	No.	No.
1	43414101	+	Rug & Floor Nozzle Comp. - AAP - S2031	29	38615101		Rug & Floor Nozzle - S2029, S2053, S2055
2	38615156		Nozzle - JM - S2031		169260FN	+	Rug & Floor Nozzle
3	16214	+	Gasket - S2031		38615164		Rug & Floor Nozzle - S2053-042, S2053-942
4	15963FW	+	Spring (2) - S2031			*	Seal - Foam - S2029, S2053, S2053-042, S2053-942, S2055
5	13261AY	*	Rug Nozzle Rib Shoe (2) - S2031	30	34112001		Seal - Felt (2) - S2029, S2053, S2053-042, S2053-942, S2055
6	16184		Brush Back Assm. - S2031			+	Brush Housing - S2029, S2053, S2053-042, S2053-942, S2055
7	161413	++	Nozzle Tube Retainer - S2031	31	34223002		Rug & Floor Nozzle Comp. - AAP - S2029, S2053
8	13272	+	Roller Shaft (2) - S2031			+	Rug & Floor Nozzle Comp. - JZ
9	42246002	+	Bottom Plate - Edge Cleaning - S2031	32	169250AG		Rug & Floor Nozzle Comp. - FN S2055
10	13157AG		Roller (2) - S2031			+	Rug & Floor Nozzle Comp. - MX - S2053-042, S2053-942
11	43463012	+	Nozzle Connector Tube - JM - S2031	33	43414101		Rib Shoe (2) - S2029, S2053, S2053-042, S2053-942, S2055
12	13267	++	Gasket - S2031			+	Brush Back Comp. - S2029, S2053, S2053-042, S2053-942, S2055
13	12955	*	Screw - Self Tapping (4) - S2031		48476053		Furniture Guard - Litter Picker
14	0M114169		Rug & Floor Nozzle Comp. - ABE - 2910, S2005, S2007, S1021, S1021-030, S2013, S2015, S2033, S2047, S2053-032, S2057, S2085		48476054		Furniture Guard - Litter Picker
15	166650AY	+	Connector Tube Clamp - 2910, S2005, S2007, S1021, S1021-030, S2013, S2015, S2033, S2047, S2053-032, S2057, S2085	34	169253AY		Gasket - S2029, S2053, S2053-042, S2055
16	166648AW	+	Screw - Self Tapping (2) - 2910, S2005, S2007, S1021, S1021-030, S2013, S2015, S2033, S2047, S2053-032, S2057, S2085	35	169256		Bottom Plate Assm. - S2029, S2053, S2053-042, S2053-942, S2055
17	166649FW		Spring (2) - 2019, S2005, S2007, S1021, S1021-030, S2013, S2015, S2029, S2033, S2047, S2053-032, S2057, S2085	36	169247JM	+	Washer - S2029, S2053, S2053-042, S2053-942, S2055
18	166656		Brush Block - 2910, S2005, S2007, S1021, S1021-030, S2013, S2015, S2033, S2047, S2053-032, S2057, S2085	37	169251		Roller Shaft - S2029, S2053, S2053-042, S2053-942, S2055
19	166652JM		Nozzle Tube - 2910, S2005, S2007, S1021, S1021-030, S2013, S2015, S2033, S2047, S2057 (See Note)	38	169538	+	Screw (2) - S2029, S2053, S2053-042, S2053-942, S2055
20	166651		Gasket - Felt - 2910, S2005, S2007, S1021, S1021-030, S2013, S2015, S2033, S2047, S2057	39	21481464	+	Screw (2) - S2029, S2053, S2053-042, S2053-942, S2055
21	43482057	+	Nozzle, Lock, Pad Assm. - 2910, S2005, S2007, S1021, S1021-030, S2013, S2015, S2033, S2047, S2053-032, S2057, S2085	40	21481465	+	Screw (2) - S2029, S2053, S2053-042, S2053-942, S2055
22	34121001		Pad - Felt (2) - 2910, S2005, S2007, S1021, S1021-030, S2013, S2015, S2033, S2047, S2053-032, S2057, S2085	41	169243AG		Roller - S2029, S2053, S2053-042, S2053-942, S2055
23	166646		Brush Retainer Clips (2) - 2910, S2005, S2007, S1021, S1021-030, S2013, S2015, S2033, S2053-032, S2047, S2085	42	21312758	++	Washer - S2029, S2053, S2053-042, S2053-942, S2055
24	34113001	+	Seal-Foam - S2029, S2053, S2055	43	169244AW		Roller Shaft - S2029, S2053, S2053-042, S2053-942, S2055
25	169241AW	*	Washer (2) - S2029, S2053, S2053-042, S2053-942, S2055	44	24735081	*	Lock Ring - S2029, S2053, S2053-042, S2053-942, S2055
26	169239JR 169239AG	+	Wheel (2) - S2029 Wheel - S2053, S2053-042, S2053-942, S2055	45	34513001		Seal - Foam L.H. - S2029, S2053, S2053-042, S2053-942, S2055
27	13730	*	Lock Ring (2) - S2029, S2053, S2053-042, S2053-942, S2055	46	34513002		Seal - Foam R.H. - S2029, S2053, S2053-042, S2053-942, S2055
28	169242		Wheel Cover (2) - S2029, S2053, S2053-042, S2053-942, S2055	47	169240AY	+	Wheel Shaft (2) - S2029, S2053, S2053-042, S2053-942, S2055
				48	169249JM	+	Connecting Tube Assm. - S2029, S2053-042, S2053-942, S2055
				49	43486002	+	Connecting Tube Assm. - S2053
					34122006	+	Seal - S2029, S2053, S2053-042, S2053-942, S2055
				50	43271042	+	Suction Control Knob - JX - S2055
					169254JM	+	Suction Control Knob - S2029, S2053, S2053-042, S2053-942



## Cleaning Tools & Hose Assembly

## Hand & Stick Cleaners

Ref. No.	Part No.	Description	Ref. No.	Part No.	Description
1	13077JM	+ Bare Floor Brush	28	36152018	Tube Latch - Outer
	43414073	Floor Brush Assm.	30	58544004	+ Cleaning Tool Bag
	13155JM	+ Floor Brush Nozzle & Brush Assm. (Use w/ 3077J M)	31	43414057	Furniture Nozzle Assm.
3	13253AG	+ Floor Brush Face	32	15671JM	Carrying Strap Comp.
4	13154JM	+ Floor Brush Swivel & Collar (Use w/13077JM)	33	15667DM	+ Carrying Strap
	38644040	Swivel Connector (Use w/48473025)		15667HH	+ Carrying Strap
5	13276	Floor Brush Swivel Bushing (Use w/13154JM)		15667A	+ Carrying Strap
	33712007	Split Ring (Use w/38644040)	34	15668	+* Strap Buckle
6	161851JM	+ Dusting Brush	35	15670	Strap Hook
	43414064	Dusting Brush (One Piece)	36	15669JM	Strap Ring
7	13149JM	Nozzle Connector Tube (Use w/161851JM)	37	15584JM	+ Hose Comp.
8	13150LL	+ Dusting Brush Nozzle (Use w/161851JM)	38	48398A	+ Carrying Strap - 1001, 1002
	13263BZ	+ Brush (Use w/ 61851 JM)	39	22930	+ Hose Comp. - 1001, 1002
10	161852JM	+ Furniture Brush	40	34404	+ Extension Tube Curved
	43414016	Furniture Brush - AG	41	34547	+ Crevice Tool
11	13149JM	Connector Tube (Use w/161852JM)	42	34544A	+ Furniture Brush Comp.
12	161852JM	+ Furniture Brush Comp.	43	20486A	+ Furniture Brush Nozzle
13	13254BZ	+ Brush (Used w/161852JM)	44	31598	+ Furniture Brush Back
14	38617017	Crevice Tool	45	20493	+ Furniture Brush Support
15	43453027	Extension Tube (Aluminum)	46	47151	+* Screws
16	43458001	Extension Tube Comp.	47	34542T	+ Furniture Brush Guard
17	12589	Tube Guide	48	47672A	+ Dusting Brush Comp.
18	112845JM	+ Gasket - Outer	49	20483	+ Dusting Brush Nozzle
19	21312704	* Washer	50	31599	+ Dusting Brush Back
20	12844JM	+ Gasket - Inner	51	22762	+ Dusting Brush Guard
21	12824	+* Reinforcement Plate	52	44503	+ Skirt Retainer
22	12600	* Rivet	53	48963	+* Screws
23	12598	+ Extension Tube - Inner	54	3863801P	Extension Tube (Polystyrene)
24	12763AW	Rivet	55	38634054	Hose Connector
25	12783	+* Rivet	56	32156010	Hose Sleeve (2)
26	12846AG	Tube Latch - Inner	57	12615BZ	Hose Connector Collar
27	12772	+* Rivet	58	43431174	+ Hose
			59	36116006	Hose Connector Collar
			60	43466055	+ Hose Connector
			61	36153009	Latch Ring
			62	43434206	+ Cleaning Tool Hose Assm. Comp.