

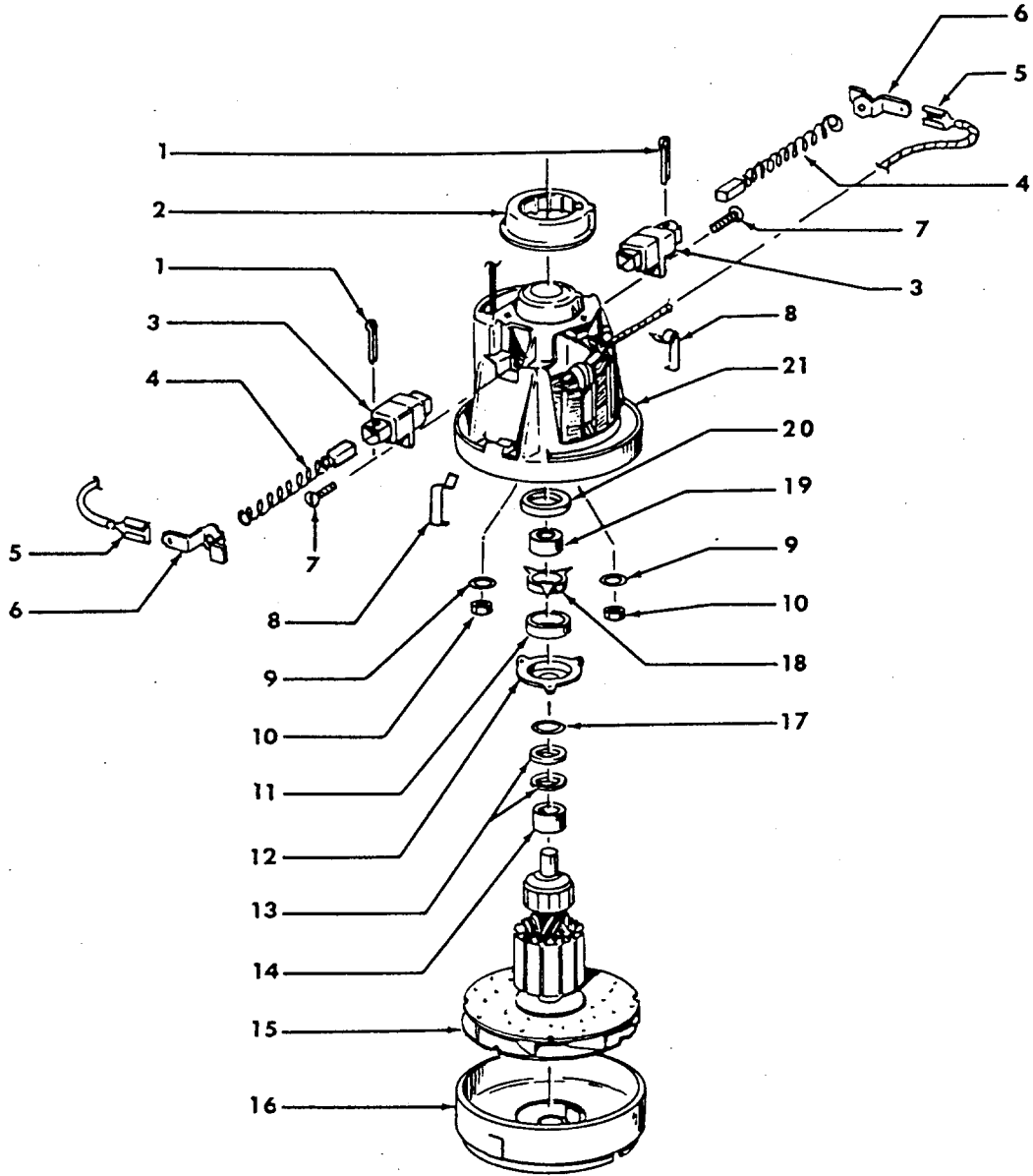
Ref. No.	Part No.	Description
1	161412LL	+ Handle
	161412DM	+ Handle Comp. - 2970
	48646003	+ Handle - DL - GC - S2001
	48646013	+ Handle - GC - S2009
2	46383068	Attach. Cord
3	48969	* Wire Nut
4	12226	+ Strain Relief Bushing
	163768	Strain Relief - S2001, S2009
5	160356	* Terminal
6	36153009	Latch Ring
7	15738EF	*+ Screw
8	37226052	Closure Plate - Common - Two Speed
9	12971	Switch
10	15317	* Switch Pad
11	161549	+ Washer
12	16195	*+ Rivet
13	12954	* Screw
14	15331AY	Latch
15	42222057	+ Motor Housing
	18832GC	+ Motor Housing - S2001
	42221013	+ Motor Housing - GC - S2009
16	15315	+ Motor Gasket
17	19586AG	+ Bulkhead - 2951
	15326BZ	+ Bulkhead - 2970
	166116AG	Bulkhead - S2001, S2009
18	15330	Bag Housing Gasket
19	15997	Secondary Filter
20	4010007F	Throw Away Bag (3 - Pk.)
21	15650	Bag Support Assm.
22	17295	+ Bag Sealing Collar
23	15311JM	Bag Gasket
24	15652LL	+ Bag Housing - Long - 2951, 2970
	42223016	Bag Housing - Long - GC - S2001
	42223008	Bag Housing - Long - GC - S2009
25	12763AW	* Rivet
26	31722007	* Insulator
27	166648AW	*+ Screw
28	163052	+ Hi - Lo Switch
29	47831001	Diode
30	27666702	* Terminal
31	161336	+ Cloth Bag
32	17209	+ Bag Collar
33	17457	+ Bag Comp. - Cloth
34	16547	+ Medallion

ITEMS NOT ILLUSTRATED

12230DL	+ Handle Grip
12230JM	+ Handle Grip
161350	* Terminals - Switch

Motor

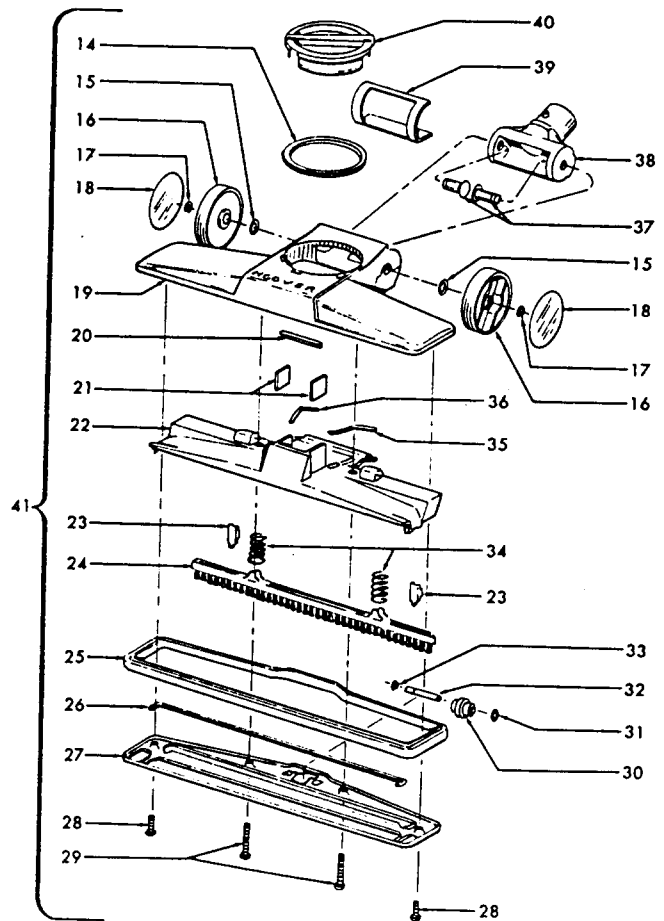
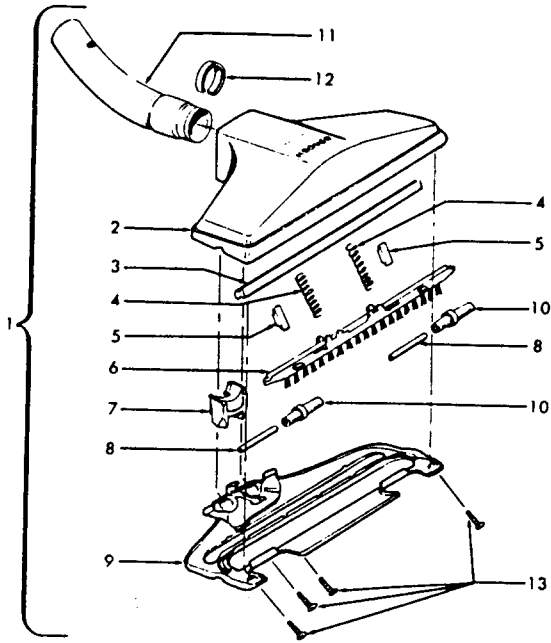
Single Speed - 2800, S1005, S1019, S1019-030, S1021, S1021-030  
Two Speed - 2951, 2970, S2001, S2009



**Motor**

**Single Speed - 2800, S1005, S1019, S1019-030, S1021, S1021-0302610,  
Two Speed - 2951, 2970, S2001, S2009**

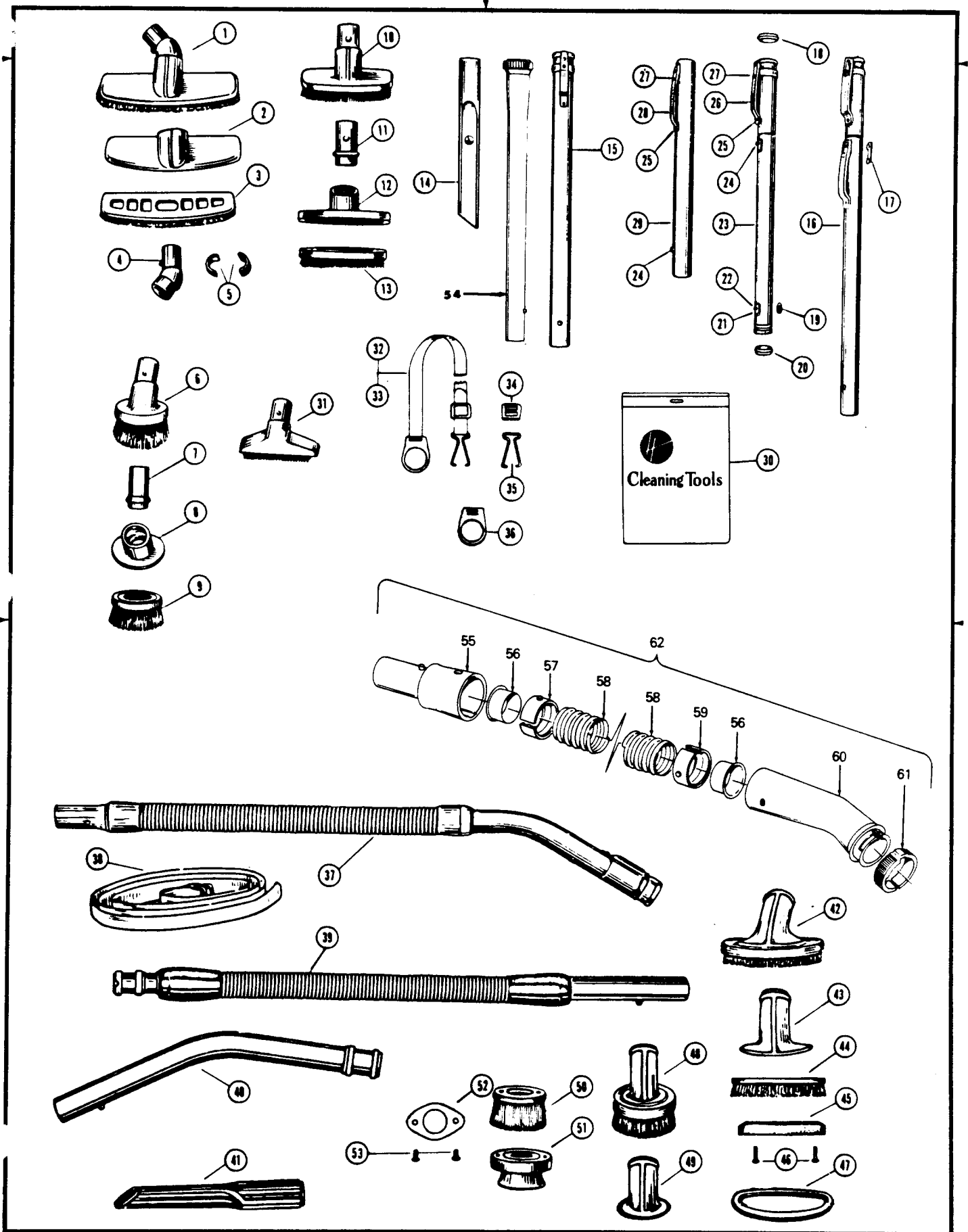
Ref.	Part Description	No.	No.	Ref.	Part Description	No.	No.
1	49435	+	Coffer Pin (2) N/A on Model S1019-030 's & S1021-030 's equipped w/Slide Switch	21	15272	+	Motor Case & Field Assm. - Used on the Model 2800 until 6/72 (Toggle Switch)
2	15316	+	Motor Mount		163171	+	Motor Case & Field Assm. - Used on the Models 2951 & 2970 until 6/72 (Toggle Switch)
3	15275AG	+	Brush Holder (2)		163491	+	Motor Case & Field Assm. - Used on the Models 2951 & 2970 after 6/72 (Toggle Switch)
	161749AG	+	Brush Holder (2) Model S1019-030 's & S1021-030 's equipped w/Slide Switch		45312021		Motor Case & Field Assm. - Used on the Model 2800 after 6/72 and the Models S1005, S1019, S1019-030, S1021, S1021-030 (Toggle Switch)
4	17353		Motor Brush & Spring (2)		45312025		Motor Case & Field Assm. - S2001, S2009 (Toggle Switch)
	47311004		Motor Brush & Spring (2) Model S1019-030 's & S1021-030 's equipped w/Slide Switch		45312055		Motor Case & Field Assm. - Model S1019-030 's & S1021-030 's equipped w/Slide Switch
5	12227		Terminal (2)	ITEMS NOT ILLUSTRATED			
	161876	+	Terminal (2) Model S1019-030 's & S1021-030 's equipped w/Slide Switch				
6	15894	+	Motor Brush Retainer (2) N/A. on Model S1019-030 's & S1021-030 's equipped w/Slide Switch				
7	162911	+	Screw (2)				
8	15744	+	Clip (2) - Used on the following Models until 6/72 - 2800, 2951, 2970				
	163416		Clip (2)				
9	21312759	+	Washer (2)				
10	162910	+	Nut (2)				
11	12012	+	Absorbent Washer				
12	15850	+	Bearing Retainer Support				
13	15278	*	Fiber Washer (2)	168317	+	Screw (Use w/ 7094 Motor Shield & 15272/163171 Motor Casing & Field	
14	49344	+	Insulator	17094	+	Motor Shield (Use w/ 5272 & 163171 Motor Casing & Field	
15	44731003		Armature & Fan Assm.	43576019	+	Motor Assm. Comp. - Single Speed Toggle Switch	
16	15293	+	Fan Housing & Bearing Assm. Used on the following Models until 6172 - 2800, 2951, 2970	43576021		Motor Assm. Comp. - Two Speed	
	163441		Fan Housing & Bearing Assm.	43576051		Motor Assm. Comp. - Model S1019-030 's & S1021-030 's equipped w/Slide Switch	
17	21312719	*	Washer				
18	15851	+	Bearing Retainer				
19	24117209		Bearing				
20	15295	*	Felt Washer				



## Rug & Floor Nozzle

## Model S2001, S2003, S2009, S2011, S2039, S2041, S2087, S2087-900

Ref. No.	Part No.	Description	Ref. No.	Part No.	Description
1	48476030	+ Rug & Floor Nozzle Comp. - CD - S2011	25	169247JM	+ Furniture Guard
	43414101	+ Rug & Floor Nozzle - AAP - S2003, S2041		169247AG	+ Furniture Guard
2	38615006	+ Nozzle - EK - S2003	26	169251	+ Gasket - S2001, S2009, S2039, S2087, S2087-900
	38615030	+ Nozzle - KZ - S2041	27	169538	+ Bottom Plate - S2001, S2009, S2039, S2087, S2087-900
	38615032	+ Nozzle - CD - S2011	28	21481464	+ Screw - S2001, S2009, S2039, S2087, S2087-900
3	16214	+ Gasket - S2003, S201 1, S2041	29	21481465	+ Screw - S2001, S2009, S2039, S2087, S2087-900
4	15963FW	+ Spring - S2003, S201 1, S2041	30	169243AG	Roller - S2001, S2009, S2039, S2087, S2087-900
5	13261AY	* Rib Shoe - S2003, S201 1, S2041	31	21312758	+* Washer - S2001, S2009, S2039, S2087, S2087-900
6	16184	Brush Back - S2003, S201 1, S2041	32	169244AW	Roller Shaft - S2001, S2009, S2039, S2087, S2087-900
7	161413	+* Tube Retainer - S2003, S2011, S2041	33	24735081	* Lock Ring - S2001, S2009, S2039, S2087, S2087-900
8	13272	+ Roller Shaft - S2003, S201 1, S2041	34	166649FW	Spring - S2001, S2009, S2039, S2087, S2087-900
9	42246002	+ Bottom Plate - S2003, S201 1, S2041	35	34513001	Seal - L.H. - S2001, S2009, S2039, S2087, S2087-900
10	13157AG	+ Roller - S2003, S201 1, S2041	36	34513002	Seal - R.H. - S2001, S2009, S2039, S2087, S2087-900
11	16269JM	Connector Tube	37	169240AY	+ Wheel Shaft - S2001, S2009, S2039, S2087, S2087-900
12	13267	+* Gasket - S2003, S201 1, S2041	38	169249JM	+ Connector Tube
13	12955	* Screw - S2003, S201 1, S2041	39	34122006	Seal- S2001, S2009, S2039, S2087-900
14	34113001	+ Seal- S2001, S2009, S2039	40	169254JM	+ Suction Control Knob
15	169241AW	* Washer - S2001, S2009, S2039, S2087, S2087-900	41	169254MX	+ Suction Control Knob
16	169239AG	Wheel		43414101	+ Rug/Floor Nozzle
17	13730	* Lock Ring - S2001, S2009, S2039, S2087, S2087-900		48476053	+ Rug/Floor Nozzle Comp. - JZ
18	169242	Wheel Cover - S2001, S2009, S2039, S2087, S2087-900			
19	38615101	Nozzle - S2001, S2009, S2039			
	38615164	Nozzle - MX - S2087, S2087-900			
20	34112001	* Seal - S2001, S2009, S2039, S2087, S2087-900			
21	34223002	+ Seal - S2001, S2009, S2039, S2087, S2087-900			
22	169250AG	+ Brush Housing - S2001, S2009, S2039, S2087, S2087-900			
23	169253AY	+* Rib Shoe - S2001, S2009, S2039, S2087, S2087-900			
24	169256	+ Brush Back - S2001, S2009, S2039, S2087, S2087-900			



## Cleaning Tools & Hose Assembly

## Hand & Stick Cleaners

Ref. No.	Part No.	Description	Ref. No.	Part No.	Description
1	13077JM	+ Bare Floor Brush	28	36152018	Tube Latch - Outer
	43414073	Floor Brush Assm.	30	58544004	+ Cleaning Tool Bag
	13155JM	+ Floor Brush Nozzle & Brush Assm. (Use w/ 3077J M)	31	43414057	Furniture Nozzle Assm.
3	13253AG	+ Floor Brush Face	32	15671JM	Carrying Strap Comp.
4	13154JM	+ Floor Brush Swivel & Collar (Use w/13077JM)	33	15667DM	+ Carrying Strap
	38644040	Swivel Connector (Use w/48473025)		15667HH	+ Carrying Strap
5	13276	Floor Brush Swivel Bushing (Use w/13154JM)		15667A	+ Carrying Strap
	33712007	Split Ring (Use w/38644040)	34	15668	+* Strap Buckle
6	161851JM	+ Dusting Brush	35	15670	Strap Hook
	43414064	Dusting Brush (One Piece)	36	15669JM	Strap Ring
7	13149JM	Nozzle Connector Tube (Use w/161851JM)	37	15584JM	+ Hose Comp.
8	13150LL	+ Dusting Brush Nozzle (Use w/161851JM)	38	48398A	+ Carrying Strap - 1001, 1002
	13263BZ	+ Brush (Use w/ 61851 JM)	39	22930	+ Hose Comp. - 1001, 1002
10	161852JM	+ Furniture Brush	40	34404	+ Extension Tube Curved
	43414016	Furniture Brush - AG	41	34547	+ Crevice Tool
11	13149JM	Connector Tube (Use w/161852JM)	42	34544A	+ Furniture Brush Comp.
12	161852JM	+ Furniture Brush Comp.	43	20486A	+ Furniture Brush Nozzle
13	13254BZ	+ Brush (Used w/161852JM)	44	31598	+ Furniture Brush Back
14	38617017	Crevice Tool	45	20493	+ Furniture Brush Support
15	43453027	Extension Tube (Aluminum)	46	47151	+* Screws
16	43458001	Extension Tube Comp.	47	34542T	+ Furniture Brush Guard
17	12589	Tube Guide	48	47672A	+ Dusting Brush Comp.
18	112845JM	+ Gasket - Outer	49	20483	+ Dusting Brush Nozzle
19	21312704	* Washer	50	31599	+ Dusting Brush Back
20	12844JM	+ Gasket - Inner	51	22762	+ Dusting Brush Guard
21	12824	+* Reinforcement Plate	52	44503	+ Skirt Retainer
22	12600	* Rivet	53	48963	+* Screws
23	12598	+ Extension Tube - Inner	54	3863801P	Extension Tube (Polystyrene)
24	12763AW	Rivet	55	38634054	Hose Connector
25	12783	+* Rivet	56	32156010	Hose Sleeve (2)
26	12846AG	Tube Latch - Inner	57	12615BZ	Hose Connector Collar
27	12772	+* Rivet	58	43431174	+ Hose
			59	36116006	Hose Connector Collar
			60	43466055	+ Hose Connector
			61	36153009	Latch Ring
			62	43434206	+ Cleaning Tool Hose Assm. Comp.