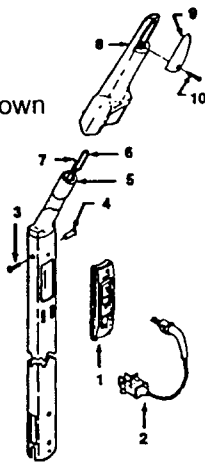


Handles

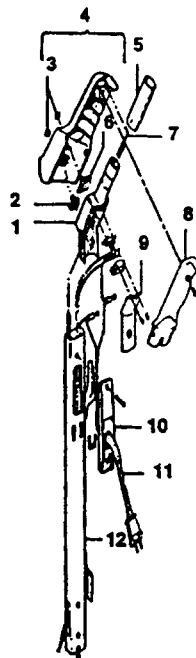
Concept - Power Drive Handle 48641052 Handle Tube

- | | | |
|-----|----------|----------------------|
| 1. | 37258068 | Switch Cover - Brown |
| 2. | 46363195 | Cord - Black - 20' |
| | 46383315 | Cord - Black - 35' |
| 3. | 18805 | Screw |
| 4. | 32258010 | Nut |
| 5. | 36957006 | Handle Support |
| 6. | 160095AY | Tension Wire |
| 7. | 43211010 | Cable |
| 8. | N/A | Handle - Black |
| 9. | 160092AG | Cap - Black |
| 10. | 21575001 | Screw |

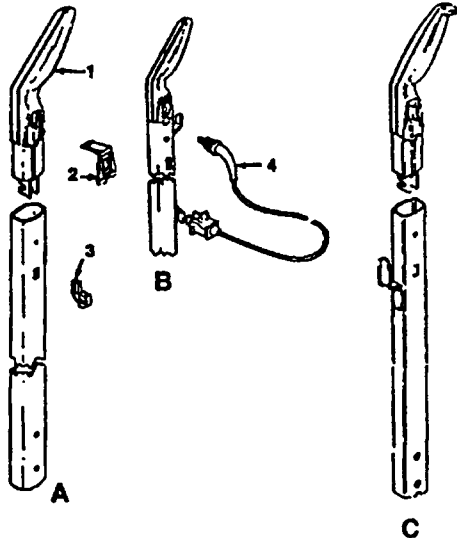


Concept One & Two w/Power Surge Power Drive Handle

- | | | |
|-----|----------|-------------------------------------|
| 1. | 36957012 | Handle Support |
| 2. | 36142001 | Drive Control Pin |
| 3. | 38421021 | Switch Button |
| 4. | 48663153 | Handle Grip -
Upper Half - black |
| 5. | 31754002 | Handle Sleeve |
| 6. | 38421042 | Switch Actuator |
| 7. | 43211010 | Control Cable |
| 8. | 39458033 | Handle Grip -
Lower Half - Black |
| 9. | 34777017 | Handle Support
Plate |
| 10. | 37258078 | Handle Cover |
| 11. | 46363195 | Attachment Cord -
Black - 20' |
| | 46383315 | Attachment Cord -
Black - 35' |
| 12. | 48643098 | Handle Tube
Assem. |

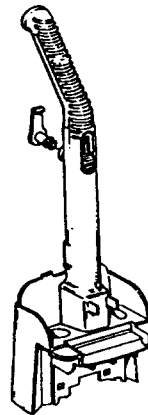


- ### Concept - Non-Power Drive Handle
- | | | |
|----------|-----------------|----------------------------|
| A | 48631067 | Handle Tube - White |
| B | 48631024 | Handle Tube - Beige |
| C | 48631041 | Handle Tube - Beige |
| 1. | 39454060 | Grip - Black |
| 2. | 37258015 | Switch Cover |
| 3. | 39442001 | Bag Support - White |
| 4. | 46383306 | Cord - Black - 35' |



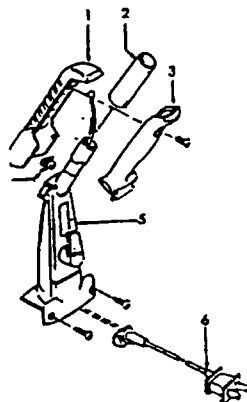
WindTunnel - Rear Tool Storage
48663206 Handle Assem.

WindTunnel - Front Storage
48663205 Handle Assem.



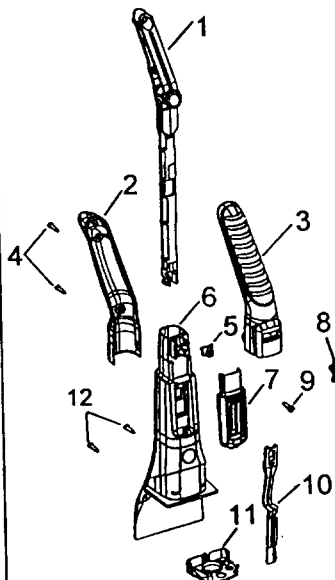
Power Drive

- | | | |
|----|----------|---------------------|
| 1. | 39458045 | Handle Grip-Upper |
| 2. | 31754002 | Handle Sleeve |
| 3. | 39458010 | Handle Grip - Lower |
| 4. | 36142002 | Drive Control Pin |
| 5. | 39466008 | Upper Handle |
| 6. | 46388027 | Cord |



Self-Propelled WindTunnel

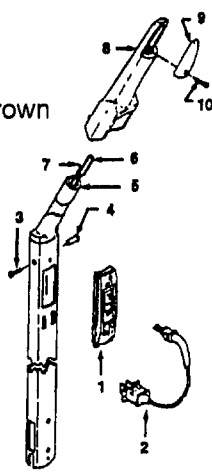
- | | | |
|-----|----------|------------------------|
| 1. | 38512001 | Grip Rod |
| 2. | 39454068 | Handle Grip -
Back |
| 3. | 39454062 | Handle Grip -
Front |
| 4. | 21447228 | Screw (2) |
| 5. | 36142002 | Drive Control
Pin |
| 6. | 39466040 | Upper Handle |
| 7. | 37258119 | Switch Rod
Pocket |
| 8. | 38421005 | Switch Button |
| 9. | 21447242 | Screw |
| 10. | 38458051 | Switch Rod |
| 11. | 36923003 | Rod Guide |
| 12. | 21447236 | Screw |



Handles

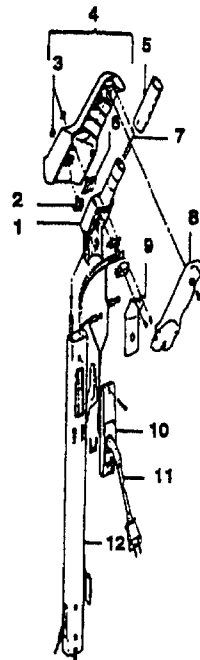
Concept - Power Drive Handle 48641052 Handle Tube

- | | | |
|-----|----------|----------------------|
| 1. | 37258068 | Switch Cover - Brown |
| 2. | 46363195 | Cord - Black - 20' |
| | 46383315 | Cord - Black - 35' |
| 3. | 018805-- | Screw |
| 4. | 32258010 | Nut |
| 5. | 36957006 | Handle Support |
| 6. | 160095AY | Tension Wire |
| 7. | 43211010 | Cable |
| 8. | N/A | Handle - Black |
| 9. | 160092AG | Cap - Black |
| 10. | N/A | Screw |



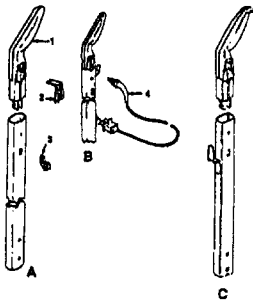
Concept One & Two w/Power Surge Power Drive Handle

- | | | |
|-----|----------|----------------------------------|
| 1. | 36957012 | Handle Support |
| 2. | 36142001 | Drive Control Pin |
| 3. | 38421021 | Switch Button |
| 4. | 48663153 | Handle Grip - Upper Half - black |
| 5. | 31754002 | Handle Sleeve |
| 6. | 38421042 | Switch Actuator |
| 7. | 43211010 | Control Cable |
| 8. | 39458033 | Handle Grip - Lower Half - Black |
| 9. | 34777017 | Handle Support Plate |
| 10. | N/A | Handle Cover |
| 11. | 46363195 | Attachment Cord - Black - 20' |
| | 46383315 | Attachment Cord - Black - 35' |
| 12. | 48643098 | Handle Tube Assem. |



Concept - Non-Power Drive Handle

- | | | |
|----|----------|---------------------|
| A | N/A | Handle Tube - White |
| B | 48631024 | Handle Tube - Beige |
| C | 48631041 | Handle Tube - Beige |
| 1. | 39454060 | Grip - Black |
| 2. | 37258015 | Switch Cover |
| 3. | 39442001 | Bag Support - White |
| 4. | 46383306 | Cord - Black - 35' |



WindTunnel - Rear Tool Storage - Standard Handle

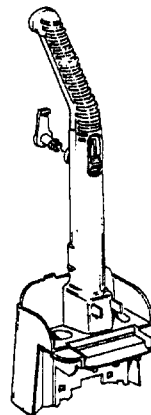
48663206 Handle Assembly

WindTunnel - Front Tool Storage Deluxe Handle - Pictured

48663205 Handle Assembly

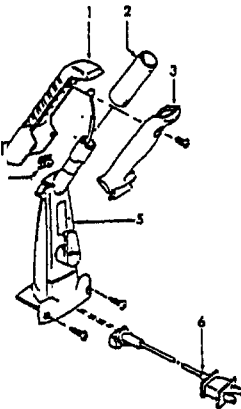
WindTunnel - Front Tool Storage - Standard Handle

48663178 Handle Assembly



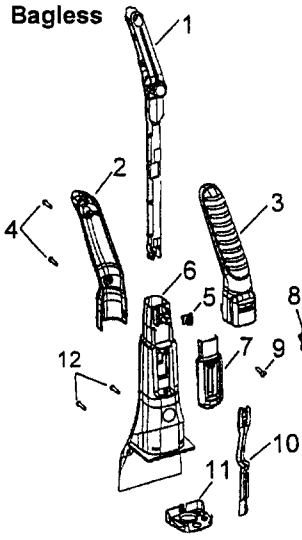
Power Drive

- | | | |
|----|----------|---------------------|
| 1. | 39458045 | Handle Grip-Upper |
| 2. | 31754002 | Handle Sleeve |
| 3. | 39458010 | Handle Grip - Lower |
| 4. | 36142002 | Drive Control Pin |
| 5. | 39466008 | Upper Handle |
| 6. | 46388027 | Cord |



Self-Propelled WindTunnel / Self Propelled WindTunnel Bagless

- | | | |
|-----|----------|-------------------------------|
| 1. | 38512001 | Grip Rod |
| 2. | 39454068 | Handle Grip - Back |
| 3. | 39454062 | Handle Grip - Front |
| | 39454072 | Handle Grip - Front - Bagless |
| 4. | 21447228 | Screw (2) |
| 5. | 36142002 | Drive Control Pin |
| | 36142004 | Drive Control Pin - Bagless |
| 6. | 39466040 | Upper Handle |
| | 39466053 | Upper Handle - Bagless |
| 7. | N/A | Switch Rod Pocket |
| 8. | 38421005 | Switch Button |
| | 38421098 | Switch Button - Bagless |
| 9. | 21447242 | Screw |
| 10. | 38458051 | Switch Rod |
| | 38458062 | Switch Rod - Bagless |
| 11. | 36923003 | Rod Guide |
| | 36923012 | Rod Guide - Bagless |
| 12. | 21447236 | Screw |



WindTunnel Bagless

- | | |
|----------|---|
| 39466045 | Handle Assembly - Titanium Gold Metallic Grip |
| 39466046 | Handle Assembly - Silver Quartz Metallic Grip |



Handles

Industrial Upright (Switch in Bail)

48643091 Upper Handle - Chrome

48631134 Lower Handle - Chrome

1. 39454070 Grip - Clear
2. 21631302 Bolt - Long
- 32277008 Nut - Long Shank
- 48294AW Bolt & Nut



Industrial Upright (Switch In Handle)

48644114 Upper Handle - Chrome

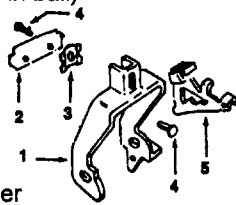
32284023 Lower Handle - Chrome

1. 39454070 Grip - Clear
2. 21631301 Bolt - Short
- 32277021 Nut (long shank)
3. 39441016 Cord Clip
4. 37258110 Switch Plate - Plastic



Bail - Commercial - Early Design

1. 41416010 Bail - Black (Switch in bail)
2. 37954001 Plate - Black
3. 35463011 Retainer Plate
4. 48294AW Bolt - Short
- 21631301 Bolt - Long
- 32277021 Nut (long shank)
- 32277008 Nut (short shank)
5. 43137036 Handle Control Lever



Bail - Commercial - Late Design

41416064 Bail Assembly- (Models with switch in bail)

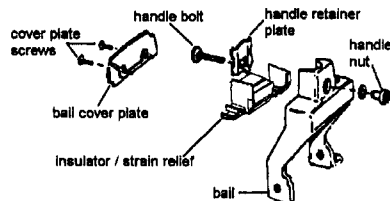
41416079 Bail Assembly- (Models without switch in bail)

Bail Assemblies include all parts shown

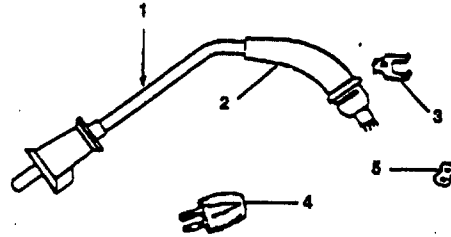
Cover plate screws - 21481273

Bail cover plate - 37954004

Insulator/Strain Relief - 36913026



Commercial Cords



1. 46383137 Orange - 35' - 18/2
- 46323122 Orange - 50' - 18/2
- 46583031 Black - 35' - 18/3
- 46583095 Gray - 50' - 18/3
2. 31969AG Cord protector - black - 35'
- 36216002 Cord protector - plastic plate
3. 34253010 Retainer - Plastic Plate
- 36171043 Retainer - Metal Plate
4. 35380 Service Plug
5. 18676 Cord Lock

Miscellaneous Cords

Elite/Legacy/Dimension/Breathe Easy/Bagless

- 46388027 Attach. Cord - Black - 35'
- 46368005 Attach. Cord - Orange -35' -Commercial

Wet/Dry Vacuum

- 46543006 Attach. Cord - Black - 6'
- 46543008 Attach. Cord - Black -12'-Blower Models

Power Drive

- 46388027 Attach. Cord - Black

SteamVac

- 46583012 Attach. Cord - G.S. Motor
- 46583044 Attach. Cord - Hoover Motor
- 46583048 Attach. Cord - Commercial

SteamVac Jr.

- 46563018 Attach. Cord

Spirit Non Cord Reel

- 46363305 + Attach. Cord

WindTunnel

- 46383322 Attach. Cord
- 46583047 Attach. Cord - Commercial

Self Propelled WindTunnel/ WindTunnel Bagless

- 46383331 Attach. Cord



Concept Two/Help-Mate

- 46388004 Cord - Black - 24'