

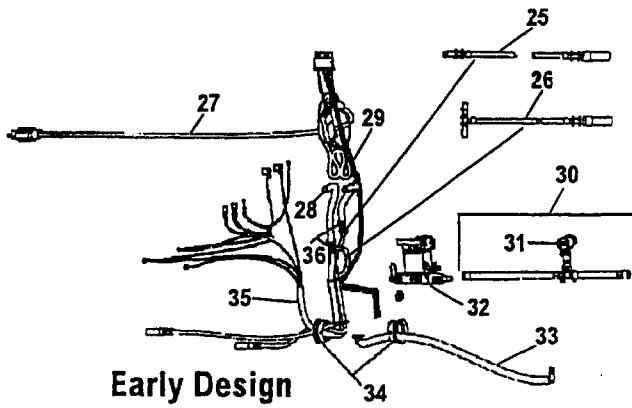
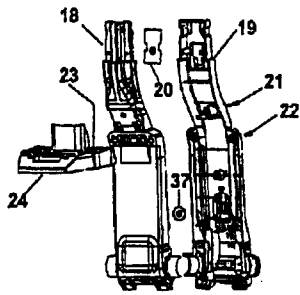
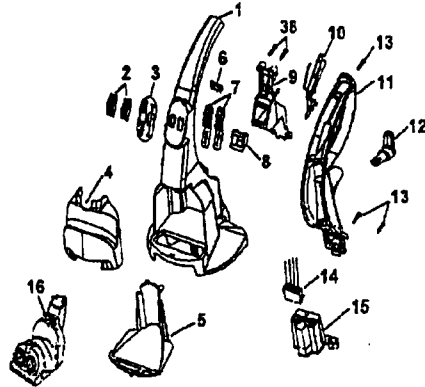
Steam Vac V2

Model F7205-900, F7210-900, F7220-900, *F7221-900, F7225-900

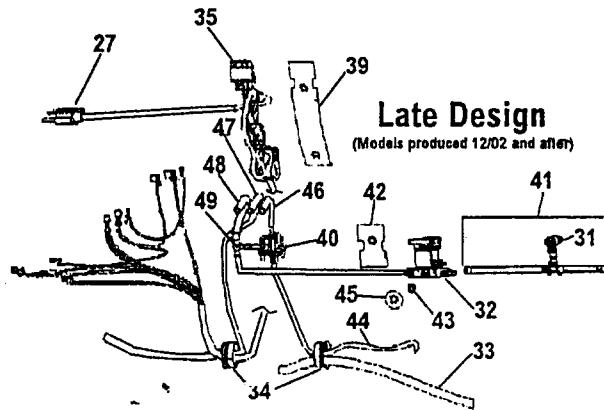
Ref. No.	Part No.	Description	Ref. No.	Part No.	Description
1.	42272138	Threaded Cap Assembly	32.	38458066	Turbine Actuator Arm
2.	39457030	Sol. Tank Handle - F7210-900, F7220-900 - Hot Lime	33.	38331006	Spring
	39457031	Sol. Tank Handle - F7205-900, F7225-900 - Iris Blue	34.	37272097	Main Body Assembly (Inc. item 41)
	39457044	Sol. Tank Handle - F7221-900 - Black	35.	37278013	Solenoid Cover - LH
3.	Note: Supply Tank Assm's include item 52. They do not include items 1 & 2		36.	23149002	Screw
	42272137	Supply Tank Assembly - See note #1.	37.	25686056	Solution Valve - Pressure
	42272142	Supply Tank Assembly - See note #2	38.	25411015	Hose Clamp
4.	39457029	Rec. Tank Handle - F7210-900, F7220-900	39.	25686057	Solution Valve - Gravity
	39457032	Rec. Tank Handle - F7205-900, F7225-900	40.	37278012	Solenoid Cover - RH
	39457043	Rec. Tank Handle - F7221-900 - Black	41.	37272098	Main Body - Front
5.	42272009	Lid Assembly (Includes items 6 & 7)		21447217	* Screws - MB Front (2)
6.	43538002	Float	42.	48437029	Brush Block Assembly
7.	38719043	Float Retainer	43.	21447217	* Screw
8.	Note: Rec. Tank Assm's include items 4,5,6,7,46		44.	21447268	Screw
	38777069	Recovery Tank - F7210-900, F7220-900 - Hot Lime	45.	43613018	Filter Cassette and Screen
	38777073	Recovery Tank - F7205-900, F7225-900 - Iris Blue	46.	38769022	Baffle Wall
	38777077	Recovery Tank - F7221-900 - Black	47.	66655448	Tubing - 6 3/4" (Trim to length)
9.	36153071	Rec. Tank Latch - RH - F7210-900, F7220-900 - Hot Lime	48.	25411014	Clamp
	36153075	Rec. Tank Latch - RH - F7205-900, F7225-900 - Iris Blue	49.	36131114	Trunnion Bracket - RH
	36153081	Rec. Tank Latch-RH -F7221-900 - Black	50.	51661020	Medallion
10.	38784063	Standpipe Seal	51.	51865029	Brush Speed Label
11.	23149004	Tapping Screw & Washer	52.	43513014	Supply Tank Valve Assm. (2)
12.	23149002	Screw		43513015	Supply Tank Valve Assm. (2) see note #2
13.	37196162	Motor Cover	53.	36433169	Cord Hose Hook - Lower
14.	21479438	* Screw	54.	38781067	Motor Seal
15.	34113004	Motor Seal	55.	36153070	Rec. Tank Latch - LH - F7210-900 - F7220-900 - Hot Lime
16.	25156521	O Ring		36153074	Rec. Tank Latch - LH - F7205-900, F7225-900 - Iris Blue
17.	43576197	Motor Assembly - (also order item 21)		36153080	Rec. Tank Latch - LH - F7221-900 -Black
18.	38434035	Handle Release Pedal	Items not illustrated		
19.	21447232	* Screw	40201243	Handle Hardware Assembly	
20.	36131113	Trunnion Bracket - Left	34215001	Insulator - Solution Valve - P	
21.	38781074	Seal - Motor Mount Front	Accessories		
22.	38781073	Seal - Main Body - RH	43491045	Hose Assembly	
23.	43191005	Turbine Assembly (Models produced prior to 12/02)	38613040	Nozzle Body	
	43191007	Turbine Assembly (Models produced 12/02 and after)	57333016	Carpet Cleaning. Solution - 16 oz	
24.	21447217	* Screw	48417005	Bare Floor Cleaning Tool	
25.	43411009	Nozzle Assembly	Packaging		
26.	Note: Hood Assembly's include items 50 & 51		56518148	Owner Manual	
	37271091	Hood - F7205-900, F7220-900 - Midnight Gray	56518149	Owner Manual - F7210-900	
	37271092	Hood - F7225-900 - Black	58176161	Carton - F7205-900	
	37271094	Hood - F7210-900 - Desert Sand	58176162	Carton - F7210-900	
	37271105	Hood - F7221-900 - Pewter Metallic	58176163	Carton - F7220-900	
27.	21447217	* Screw	58176185	Carton - F7221-900	
28.	38421102	Indicator Knob - F7210-900, F7220-900 - Hot Lime	58176164	Carton - F7225-900	
	38421105	Indicator Knob - F7205-900, F7225-900 - Iris Blue	Note #1 - On models F7225-900 from serial number 060200001001 to 070200003501 it will be necessary to update the supply tank support when replacing a solution tank.		
	38421108	Indicator Knob - F7221-900 - Black	Note #2 - 42272142 Supply Tank and 43513015 Supply Tank Valve Assm were used on models produced after 1/03. Ref. Serv. Bulletin 2-03		
29.	32434011	Rear Axle (2)	* All Model F7221-900's were produced after 12/02.		
30.	3852201P	Rear Wheel (2)			
	38522083	Rear Wheel (2) - F7221-900			
31.	160017--	* Lock Ring (2)			

Steam Vac V2
Upper & Lower Handle

Model F7205-900, F7210-900, F7220-900, *F7221-900,
F7225-900, F7226-900



Early Design
(Models Produced before 12/02)



Late Design
(Models produced 12/02 and after)

**Steam Vac V2
Upper & Lower Handle**

**Model F7205-900, F7210-900, F7220-900, *F7221-900,
F7225-900, F7226-900**

Ref. No.	Part No.	Description	Ref. No.	Part No.	Description
1.	Note: Upper Handle Assm's include items 2, 3, 6, 7, 8, 9, 10		22.	21447269	Screw
	39466070	Upper Handle Assembly- Front (Models produced prior to 12/02)	23.	38764031	Metering Plate (Models produced prior to 12/02)
	39466073	Upper Handle Assembly - Front (Models produced 12/02 and after)		38764033	Metering Plate (Models produced 12/02 and after)
	39466071	Upper Handle Assembly- Front F7205-900 (Models produced prior to 12/02)		25156522	O Ring
	39466072	Upper Handle Assembly - Front F7205-900 (Models produced 12/02 and after)	24.	Note: Supply Tank Supports include items 28 & 29	
2.	38421101	Switch Button (2)		41423018	Supply Tank Support See note #1 (Models produced prior to 12/02 - two hoses)
3.	52313107	Label		41423018	Supply Tank Support (Models produced 12/02 and after - three hoses)
4.	37276016	Tool Holder Cover - F7220-900, F7221-900, F7225-900		41423019	Supply Tank Support - (Models produced 1/03 and after. Ref: Serv. Bulletin 2-03)
	37276020	Tool Holder Cover - F7210-900	25.	43491042	Connector / Tubing Assembly
	37276019	Front Handle Cover - F7205-900	26.	43491041	T Connector / Tubing Assembly
5.	36433168	Tool Holder-F7220-900, F7221-900, F7225-900	27.	46583124	Attachment Cord Assembly
	36433176	Tool Holder - F7210-900	28.	66655448	Tubing - 6 3/4"
6.	28218051	Switch	29.	66655448	Tubing - 6 3/4" (Trim to length)
7.	38458065	Switch Rod (2)	30.	43491043	Connector / Tubing Assembly, with Quick Disconnect
8.	28267003	Switch	31.	43523004	Quick Disconnect Assembly
9.	Note: Upper Handle Support / Switch Assem. includes items 6, 8, 10, and the wiring harness.		32.	43582011	Pump Assembly
	46658002	Upper Handle Support / Switch Assem. (Models produced prior to 12/02)	33.	43445004	Tubing / Elbow Assembly
	46658005	Upper Handle Support / Switch Assem. (Models produced 12/02 and after)	34.	32456001	Trunnion Sleeve
	36436023	Support (Only - as shown)	35.	46658003	Wiring Harness Assembly
10.	38434030	Control Lever	36.	25411014	Hose Clamp
11.	39458011	Upper Handle - Rear	37.	34264007	Insulator
12.	39442047	Cord Wrap	38.	21447217	* Screw
13.	21447072	* Screw	39.	34285001	Insulator
14.	N/A	Included with item 9.	40.	43513013	Pressure Valve Assembly
15.	37922013	Wire Cover	41.	43491046	Connector / Tubing Assembly
16.	48439002	Turbine Nozzle- F7220-900, F7221-900, F7225-900, F7226-900	42.	34264006	Insulator
17.	36433167	Tool Caddy	43.	25411014	Hose Clamp
18.	39466075	Lower Handle - Front (Models produced prior to 12/02)	44.	68266023	Tubing
	39466076	Lower Handle - Front (Models produced 12/02 and after)	45.	34264007	Insulator
19.	39466080	Lower Handle - Rear (Models produced prior to 12/02)	46.	66173011	Tubing - 6 3/4"
	39466081	Lower Handle - Rear (Models produced 12/02 and after)	47.	66173011	Tubing - 6 3/4" (Trim to length)
20.	34264006	Insulator	48.	66173013	Tubing - 22 1/4"
21.	21447019	* Screw	49.	38681010	"T" Connector

Note #1 - On models F7225-900 from serial number 06020001001 to 070200003501 it will be necessary to update the solution tank assembly when replacing the supply tank support.

* All Model F7221-900's were produced after 12/02.