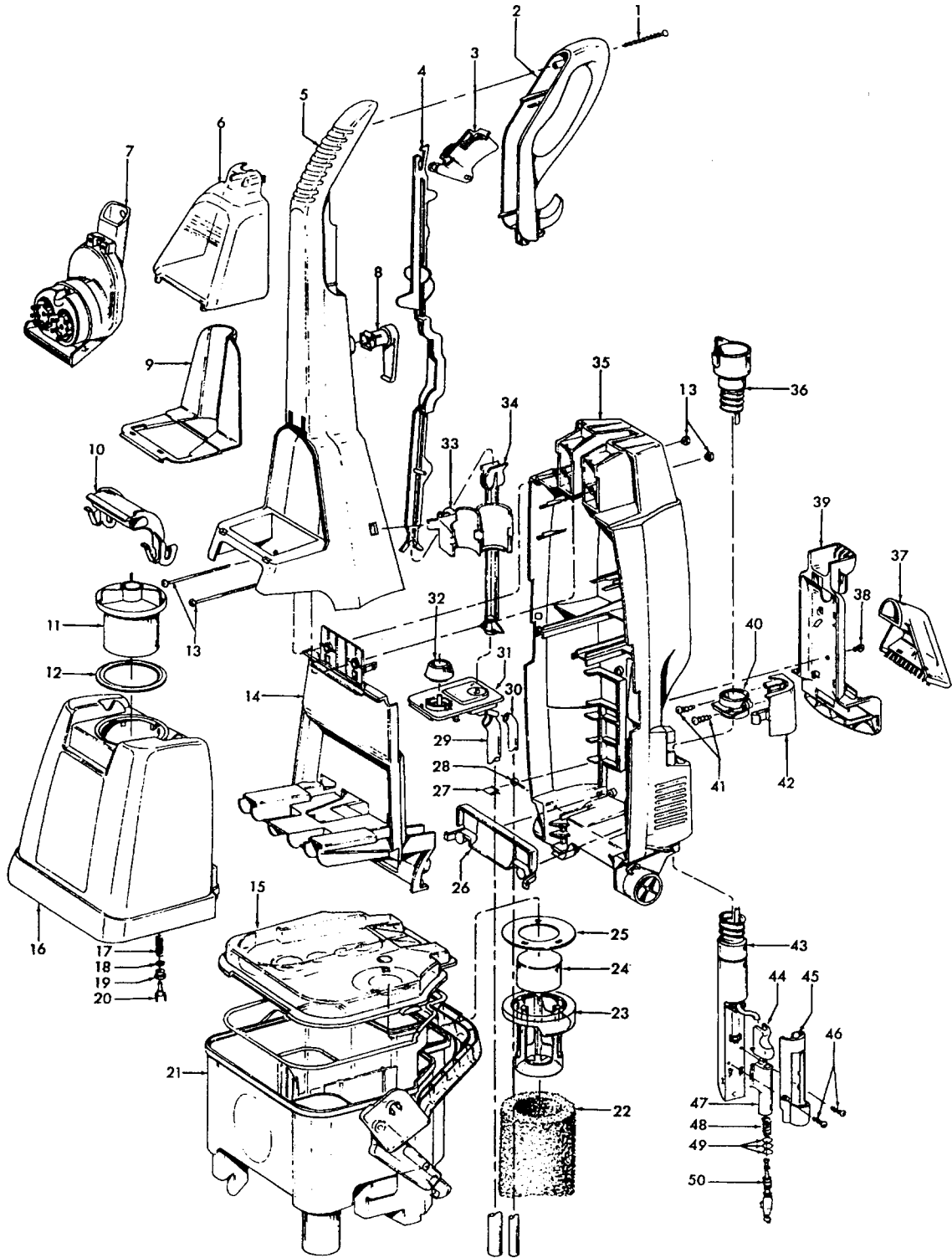


Ref. No.	Part No.	Description
1	21447003	* Screw
2	21447247	Screw
3	23149002	Screw
4	40309002	Tubing Assembly
5	40309002	Tubing Assembly
6	43466071	Duct
7	51865024	* On Off Label
8	51638055	* Handle Release Label
9	38421093	Indicator Knob
10	51438006	Nameplate - Tool Mode
11	39383106	Lens
12	37271066	Hood Assembly -(Inc. It. 11,17)
13	51855032	Agitator Speed Label
14	21447217	* Screw
15	42191007	Motor Cover / Valve Assembly
16	36439001	Valve Crank Arm
17	43613009	Screen Assembly
18	N/A	
19	51611008	* Indicator Label - Green
20	38458024	Turbine Actuator Arm
21	36132003	Over Center Spring
22	38458042	Handle Release Lever
23	38356013	Spring
24	38333009	Spring
25	43191003	Turbine Assembly (Incl. It. 18, 23, 24)
26	40309002	Tubing Assem.
27	32434007	Rear Axle (2)
28	38522076	Rear Wheel (2)
29	38784063	Standpipe Seal
30	160017	* Lock Ring
31	43582005	Pump Assembly
32	48437022	Brush Block
33	21447072	* Screw (2)
34	21479438	* Screw (2)
35	37272088	Main Body
36	36172016	Cord Retainer
37	28218048	Switch

Ref. No.	Part No.	Description
38	36131086	Trunnion Cover - L.H.
39	38434025	Switch Actuator Lever
40	36131085	Trunnion Cover - R.H.
41	38781048	Motor Base Seal
42	46583044	Cord Assembly
43	43576202	Motor Assembly
	41311016	Motor Brush
44	34113004	Motor Seal
45	43436011	Hose Assembly (P. 84)
46	25156518	"O" Ring
47	21447246	Screw
48	38783023	Valve Tank Seal
49	25156517	* "O" Ring
50	38719039	Solution Hose Coupler
51	38783024	Valve Duct Seal
52	36151021	Latch Lock - LH
53		Not Applicable
54	36151020	Latch Lock - RH
55	21447232	* Screw (2)

ITEMS NOT ILLUSTRATED

49811039	Lead Wire Black - (Front of motor to switch)
----------	--



Ref. No.	Part No.	Description
1	21447248	Screw
2	39458006	Handle Lever Guard
3	38434028	Trigger
4	38458037	Upper Control Rod
5	39466004	Upper Handle- (Incl. it 1,2,3,4,8)
6	37276014	Tool Cover
7	48439002	Turbine Nozzle Assembly
	38613038	Nozzle Body (Turbine Nozzle)
	48434003	Brush Assembly (Turbine Nozzle (2 req'd)
8	39442041	Cord Wrap
9	36433127	Tool Holder
10	39457016	Solution Tank Handle
11	42272002	Solution Tank Cap (inc. item 12)
12	38784062	Gasket
13	40201154	Handle Hardware Assembly
14	37276002	Handle Cover
15	42272120	Lid Assem. (Incl. it. 22,23,24,25)
16	42272134	Solution Tank Assem. (Incl. It. 10,11,12,17,18,19,20)
17	38312014	Spring
18	21312518	+*Washer - Brass
19	38784061	Valve Seal
20	38717009	Valve Stem
21	Note: Recovery Tanks include item 15	
	38777065	Recovery Tank
	38777070	Recovery Tank - Models with no tank filter. Screen in tank.
22	43611041	Tank Filter
23	38719027	Float Retainer
24	25661016	Float
25	38784070	Seal
26	37276010	Solution Tube Cover
27	21378162	+ Retaining Clip
28	21447244	Screw - Special
29	40309002	Service Tubing
30	40309002	Service Tubing
31	43516008	Reservoir Assem. (Incl. It. 32)
32	38784060	Solution Tank Seal
33	36172005	Hose/ Nozzle Holder
34	38458033	Control Rod Lower
35	39466037	Lower Handle
36	43436011	Hose Assem. (Incl. It. 37 & 43 thru 50)
37	38613040	Nozzle Body (w/ release tab)
38	21447041	* Screw
39	36433131	Tool Rack - Lower

Ref. No.	Part No.	Description
40	36171032	Hose Clamp
41	21447228	* Screw (2)
42	36131097	Hose Cover
43	43436011	Hose Assem. (Incl. It. 37 & 43 thru 50)
44	38433074	Trigger
45	37276006	Wand Cover
46	21447239	* Screw
47	43513011	Wand/ Valve Assembly
48	38312019	Spring
49		O ring (Included with item 50)
50	43412007	Nozzle Valve Assembly

Accessories

48417003	Bare Floor Tool
38617028	Crevice Tool
39514001	Nozzle Cleanout Tool
43412003	Sprayer (Used w/ pre cleaner)
57333016	Carpet Solution - 16 oz
N/A	Bare Floor Solution -16 oz (Use 32 oz.)
40303032	Bare Floor Solution - 32 oz.
40302016	Pre Cleaner Solution - 16 oz.

Packaging Material

56518120	Owner Manual
58176023	Carton - Common (plain brown)

*Note: Model F5887-990 is similar to model F5887-900 except for additional 64 oz. bottle of detergent.