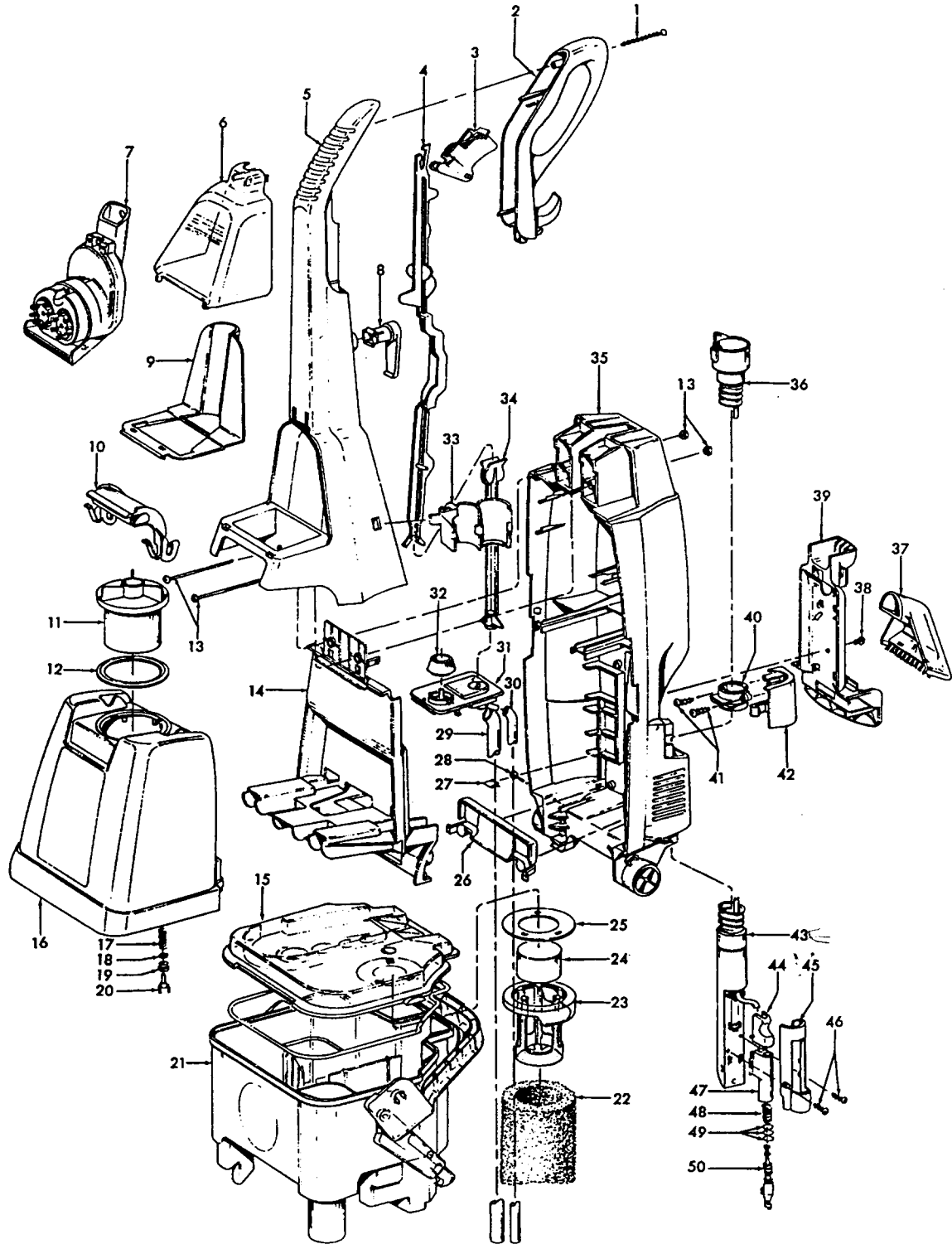


Steam Vac

Models without five rotating brushes  
Models with five rotating brushes

F5837-900, \*\*\*\* F5837-960, F5839-900  
F5864-900, F5865-900, F5867-900, F5868-900,  
F5869-900 (See Note 2), \*\*\* F5869-960, \* F5869-990,  
F5881-900, \*\*\*\* F5881-990, F5883-900, \*\*\* F5883-960, \*  
F5883-990, F5884-900, \*\* F5884-980



**Steam Vac Models without five rotating brushes  
Models with five rotating brushes**

| Ref. No. | Part No.  | Description   |
|----------|---|---|
| 1        | 21447248  | Screw   |
| 2        | 39458006  | Handle Lever Guard  |
| 3        | 38434028  | Trigger   |
| 4        | 38458037  | Upper Control Rod   |
| 5        | <b>Note: Upper Handle's include items 1,2,3,4,8</b><br>39466004 | Upper Handle- F5881-900, F5883-900, F5884-900   |
|          | 39466036  | Upper Handle- F5837-900, F5839-900, F5864-900, F5865-900, F5867-900, F5868-900, F5869-900 |
| 6        | 37276014  | Tool Cover - F5881-900, F5883-900, F5884-900  |
| 7        | 48439002  | Turbine Nozzle - See note # 1   |
| 8        | 39442041  | Cord Wrap   |
| 9        | 36433127  | Tool Holder- F5881-900, F5883-900, F5884-900  |
| 10       | 39457016  | Solution Tank Handle  |
| 11       | 42272002  | Solution Tank Cap (inc. item 12)  |
| 12       | 38784062  | Gasket  |
| 13       | 40201154  | Handle Hardware Assembly  |
| 14       | 37276002  | Handle Cover  |
| 15       | 42272120  | Lid Assembly (Incl. it. 22,23,24,25)  |
| 16       | 42272134  | Solution Tank Assem. (Incl. It. 10,11,12,17,18,19,20)                                     |
| 17       | 38312014  | Spring  |
| 18       | 21312518  | +*Washer - Brass  |
| 19       | 38784061  | Valve Seal  |
| 20       | 38717009  | Valve Stem  |
| 21       | <b>Note: Recovery Tanks include item 15</b><br>38777065         | Recovery Tank   |
|          | 38777070  | Recovery Tank - Models with no tank filter. Screen in tank.                               |
| 22       | 43611041  | Tank Filter   |
| 23       | 38719027  | Float Retainer  |
| 24       | 25661016  | Float   |
| 25       | 38784070  | Seal  |
| 26       | 37276010  | Solution Tube Cover   |
| 27       | 21378162  | + Retaining Clip  |
| 28       | 21447244  | Screw - Special   |
| 29       | 40309002  | Service Tubing  |
| 30       | 40309002  | Service Tubing  |
| 31       | 43516008  | Reservoir Assem. (Incl. It. 32)   |
| 32       | 38784060  | Solution Tank Seal  |
| 33       | 36172005  | Hose/ Nozzle Holder   |
| 34       | 38458033  | Control Rod Lower   |
| 35       | 39466037  | Lower Handle  |
| 36       | 40309032  | Hose Kit - Used to replace hoses with release tab   |
|          | 43436011  | Hose Assem. (Incl. It. 37 & 43 thru 50) (w/o release tab)                                 |
| 37       | 38613033  | + Nozzle Body (w /o release tab)  |
|          | 38613040  | Nozzle Body (w/ release tab)  |
| 38       | 21447041  | * Screw   |
| 39       | 36433131  | Tool Rack - Lower   |
| 40       | 36171032  | Hose Clamp  |
| 41       | 21447228  | * Screw (2)   |
| 42       | 36131097  | Hose Cover  |
| 43       |   | See item 36 for part numbers.   |

**F5837-900, \*\*\*\*\* F5837-960, F5839-900  
F5864-900, F5865-900, F5867-900, F5868-900,  
F5869-900 (See Note 2), \*\*\* F5869-960, \* F5869-990,  
F5881-900, \*\*\*\*\* F5881-990, F5883-900, \*\*\* F5883-960, \*  
F5883-990, F5884-900, \*\* F5884-980, \*\*\*\*\* F5885-980**

| Ref. No.   | Part No. | Description   |
|--|----------|---|
| 44   | 38433074 | Trigger   |
| 45   | 37276006 | Wand Cover  |
| 46   | 21447239 | * Screw   |
| 47   | 43513011 | Wand/ Valve Assembly  |
| 48   | 38312019 | Spring  |
| 49   |          | O ring (Included with item 50)  |
| 50   | 43412007 | Nozzle Valve Assembly   |
| <b>Accessories</b>   |          |   |
|  | 48417003 | Bare Floor Tool - All Models except F5864-900   |
|  | 57333016 | Carpet Solution - 16 oz.- All Models  |
|  | N/A      | Bare Floor Solution - 16 oz., F5839-900, F5865-900, F5867-900, F5868-900, F5869-900, F5881-900, F5883-900, F5884-900 (16 Oz. not available use 32 Oz) |
|  | 40303032 | Bare Floor Solution - 32 oz.  |
|  | 40302016 | Pre Cleaner Solution - 16 oz. F5839-900, F5867-900, F5868-900, F5869-900, F5881-900, F5883-900  |
|  | 43412003 | Sprayer   |
| In May of 1999, the Bare Floor Cleaner and Pre Cleaner w/ Sprayer were removed from the models F5881-900 and F5883-900 |          |   |
| <b>Packaging Material</b>  |          |   |
|  | 56518098 | Owner Manual - F5864-900, F5865-900, F5867-900, F5868-900, F5869-900  |
|  | 56518097 | Owner Manual - F5881-900, F5883-900, F5884-900  |
|  | 56518094 | Owner Manual -F5837-900, F5839-900  |
|  | 58176023 | Carton - Common (plain brown)   |
| <b>Turbine Nozzle Parts</b>  |          |   |
|  | 38613038 | Nozzle Body   |
|  | 48434003 | Brush Assembly (2 req'd)  |

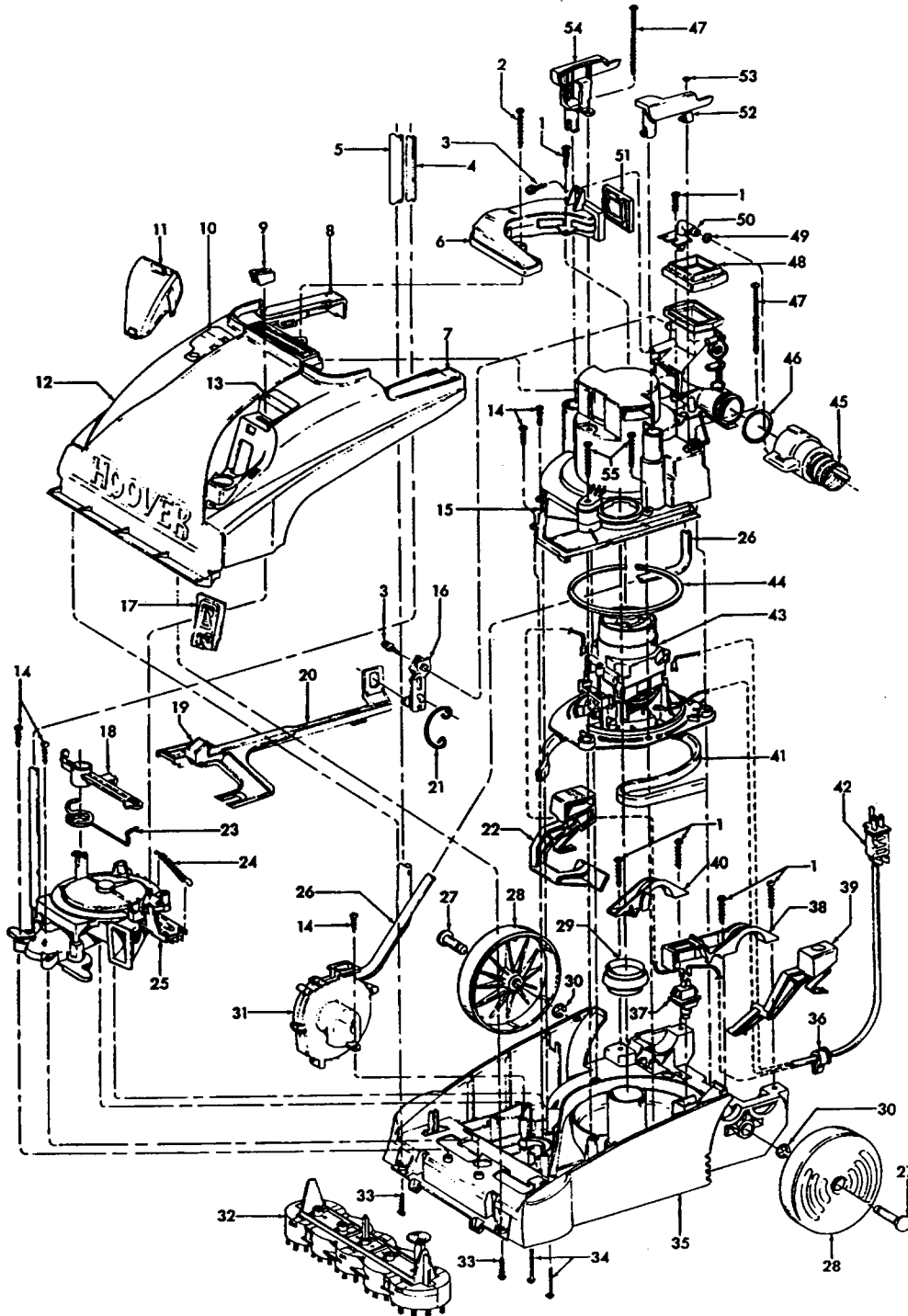
**Note 1** - 48439002 is the latest style turbine with the release tab on the nozzle body. (ref: Service Bulletin 2-98) Turbine nozzle's for units made prior to Feb. 98 are no longer available. When using the 48439002 on these models it may be necessary to update the hose.

**Note 2** - In March 2000 there was a quantity of the model F5869-900 produced for Home Shoppers Network which included a bonus pack of a Scrub Module (48437028) and Powered Hand Tool (48439003)

\* The F5869-990 & F5883-990 are identical to the models F5869-900 & F5883-900 respectively, except for the addition of one 64 oz. bottle of Carpet / Upholstery cleaner.  
\*\* The F5884-980 is identical to model F5884-900 except for the addition of model S1103 Dubl-Duty.  
\*\*\* The F5869-960 & F5883-960 are identical to model F5869-900 and F5883-900 respectively, except for the addition of a bonus detergent kit.  
\*\*\*\* Model F5881-990 is identical to model F5881-900 except for addition of Sprayer, and on bottle of Carpet Cleaner, Pre-Cleaner Solution, and Bare Floor Solution.  
\*\*\*\*\* Model F5837-960 is identical to F5837-900 except for the addition of the carpet care kit - 40304001.  
\*\*\*\*\* Model F5885-980 is identical to model F5884-900 except for addition of model S1117-900 and hood color.

Models without five rotating brushes  
Models with five rotating brushes

F5837-900, \*\*\*\* F5837-960, F5839-900  
F5864-900, F5865-900, F5867-900, F5868-900, F5869-900, ✓  
\*\*\* F5869-960, \* F5869-990, F5870-900, F5871-900, F5872-900,  
F5873-900, F5875-900, \*\*\*\*\*F5876-900, F5878-900, F5881-900, \*\*\*\*  
F5881-990, F5883-900, \*\*\* F5883-960, \* F5883-990, F5884-900, \*\*  
F5884-980,



Steam Vac

Models without five rotating brushes  
Models with five rotating brushes

F5837-900, \*\*\*\*\* F5837-960, F5839-900  
F5864-900, F5865-900, F5867-900, F5868-900, F5869-900,  
\*\*\* F5869-960, \* F5869-990, F5870-900, F5871-900, F5872-900,  
F5873-900, F5875-900, \*\*\*\*\*F5876-900, F5878-900, F5881-900, \*\*\*\*  
F5881-990, F5883-900, \*\*\* F5883-960, \* F5883-990, F5884-900, \*\*  
F5884-980,

| Ref. No. | Part No.  | Description  |
|----------|---|--|
| 1        | 21447003  | * Screw  |
| 2        | 21447247  | Screw  |
| 3        | 23149002  | Screw  |
| 4        | 40309002  | Tubing Assembly  |
| 5        | 40309002  | Tubing Assembly  |
| 6        | 43466071  | Duct   |
| 7        | 51865024  | * On Off Label   |
| 8        | 51638055  | * Handle Release Label   |
| 9        | 38421093  | Indicator Knob   |
| 10       | 51438006  | Nameplate - Tool Mode  |
| 11       | 39383106  | Lens   |
| 12       | <b>Note: All Hoods Include Items 11 and 17)</b> |  |
|          | 37271045  | Hood - F5837-900   |
|          | 37271046  | Hood - F5839-900   |
|          | 37271055  | Hood - F5865-900   |
|          | 37271047  | Hood - F5867-900   |
|          | 37271051  | Hood - F5868-900   |
|          | 37271052  | Hood - F5869-900   |
|          | 37271054  | Hood - F5871-900   |
|          | 37271055  | Hood - F5873-900   |
|          | 37271064  | Hood - F5870-900, F5875-900, F5876-900   |
|          | 37271080  | Hood - AES - F5881-900   |
|          | 37271043  | Hood - F5883-900   |
|          | 37271048  | Hood - F5884-900, F5885-980  |
|          | 37271067  | Hood - F5864-900   |
|          | 37271076  | Hood - F5872-900   |
|          | 37271077  | Hood - F5878-900   |
| 13       | 51855031  | Agitator Speed Label   |
| 14       | 21447217  | * Screw  |
| 15       | 42191005  | Motor Cover/ Valve Assembly<br>F5837-900, F5839-900                            |
|          | 42191007  | Motor Cover / Valve Assembly<br>All models except F5837-900, F5839-900         |
| 16       | 36439001  | Valve Crank Arm  |
| 17       | 43613009  | Screen Assembly  |
| 18       | N/A   |  |
| 19       | 51611008  | * Indicator Label - Green  |
| 20       | 38458050  | Turbine Actuator Arm -F5837-900,<br>F5839-900                                  |
|          | 38458024  | Turbine Actuator Arm<br>All models except F5837-900, F5839-900                 |
| 21       | 36132003  | Over Center Spring   |
| 22       | 38458042  | Handle Release Lever   |
| 23       | 38356013  | Spring   |
| 24       | 38333009  | Spring   |
| 25       | 43191003  | Turbine Assembly - models with five<br>rotating brushes (Incl. It. 18, 23, 24) |
| 26       | 40309002  | Tubing Assem.  |
| 27       | 32434007  | Rear Axle (2)  |
| 28       | 38522076  | Rear Wheel (2)   |
| 29       | 38784063  | Standpipe Seal   |
| 30       | 160017  | * Lock Ring  |
| 31       | 43582005  | Pump Assembly ✓  |
| 32       | 48437022  | Brush Block  |
| 33       | 21447072  | * Screw (2)  |
| 34       | 21479438  | * Screw (2)  |
| 35       | 37272095  | Main Body- F5837-900, F5839-900  |
| 35       | 37272088  | Main Body - All models except F5837-900,<br>F5839-900, F5872-900, F5878-900    |
|          | 37271090  | Main Body - F5872-900  |
| 36       | 36172016  | Cord Retainer  |
| 37       | 28218048  | Switch   |
| 38       | 36131086  | Trunnion Cover - L.H.  |
| 39       | 38434025  | Switch Actuator Lever  |
| 40       | 36131085  | Trunnion Cover - R.H.  |

| Ref. No. | Part No. | Description  |
|----------|----------|--|
| 41       | 38781048 | Motor Base Seal  |
| 42       | 46583044 | Cord (use with Hoover Motor)   |
|          | 46583012 | Cord (use with GS Motor)   |
|          | 46583056 | Cord (use with 12 Amp Motor)   |
| 43       | 40309009 | Motor Kit - F5837-900, F5839-900 -<br>Units with GS motor  |
|          | 43576177 | Motor- F5837-900, F5839-900 - Units with<br>Hoover motor   |
|          | 43576163 | + Motor-(GS)- F5865-900,F5867-900,<br>F5868-900, F5869-900,F5881-900,<br>F5883-900 (Use 43576202 Motor)  |
|          | 43576202 | Motor- (Hoover) - F5864-900, F5865-900,<br>F5867-900, F5868-900, F5869-900,<br>F5870-900, F5871-900, F5873-900,<br>F5875-900, F5881-900, F5883-900,<br>F5884-900 |
|          | 27212051 | Motor - 12 Amp Ametek - F5872-900,<br>F5878-900  |
|          | 41311016 | Motor Brush (Hoover Motor ONLY)  |
| 44       | 34113004 | Motor Seal   |
| 45       | 40309032 | Hose Assembly (w/o release tab on<br>nozzle)   |
|          | 43436011 | Hose Assembly (w/ release tab on<br>nozzle)  |
| 46       | 25156518 | "O" Ring   |
| 47       | 21447246 | Screw  |
| 48       | 38783023 | Valve Tank Seal  |
| 49       | 25156517 | * "O" Ring   |
| 50       | 38719039 | Solution Hose Coupler  |
| 51       | 38783024 | Valve Duct Seal  |
| 52       | 36151021 | Latch Lock - LH  |
| 53       | 21364107 | Speed Nut (Early models)   |
| 54       | 36151020 | Latch Lock - RH  |
| 55       | 21447232 | * Screw (2)  |

ITEMS NOT ILLUSTRATED

|          |  |
|----------|--|
| 48447002 | Brush Back Assembly - Dual -<br>F5837-900, F5839-900           |
| 49811039 | Lead Wire Black - (Front of motor to switch)<br>(Hoover Motor) |
| 49811079 | Lead Wire White - 12 Amp Motor                                 |
| 49811087 | Lead Wire Lt. Blue - 12 Amp Motor                              |
| 49811081 | Lead Wire Red - 12 Amp Motor                                   |

\* The F5869-990 & F5883-990 are identical to the models F5869-900 & F5883-900 respectively, except for the addition of one 64 oz. bottle of Carpet / Upholstery cleaner.

\*\* The F5884-980 is identical to model F5884-900 except for the addition of model S1103 Dubl-Duty. (In May of 1999, the S1103 was replaced by an S1112 on F5884-980)

\*\*\* The F5869-960 & F5883-960 are identical to model F5869-900 and F5883-900 respectively, except for the addition of a bonus detergent kit.

\*\*\*\* Model F5881-990 is identical to model F5881-900 except for addition of Sprayer, and on bottle of Carpet Cleaner, Pre-Cleaner Solution, and Bare Floor Solution.

\*\*\*\*\* Model F5837-960 is identical to model F5837-900 except for the addition of the carpet care kit - 40304001.

\*\*\*\*\*Model F5876-900 is identical to model F5875-900 with the exception of the solution tank label.

\*\*\*\*\* Model F5885-980 is identical to model F5884-900 except for the addition of model S1117-900 and hood color.