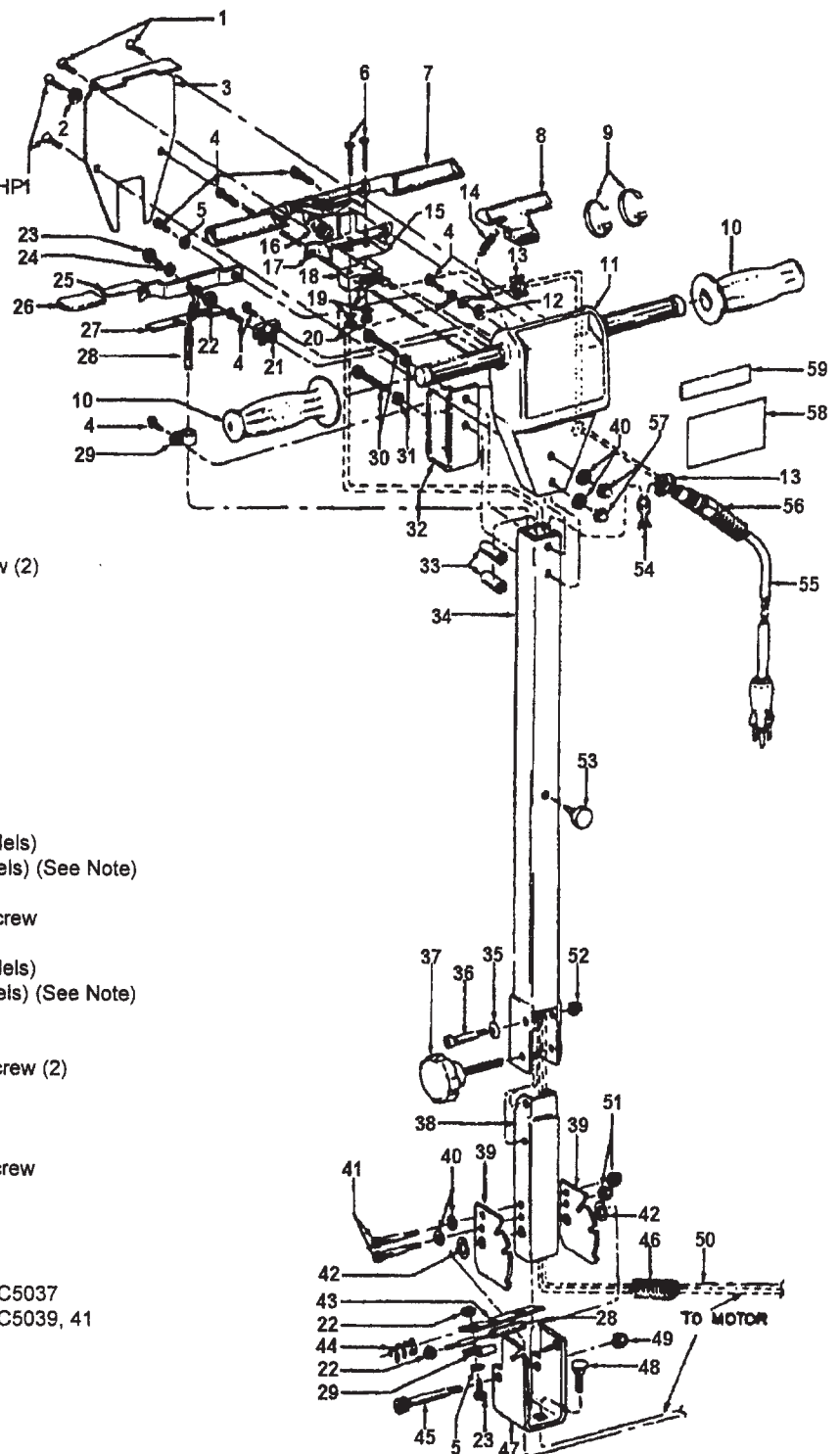


# Handle Assembly

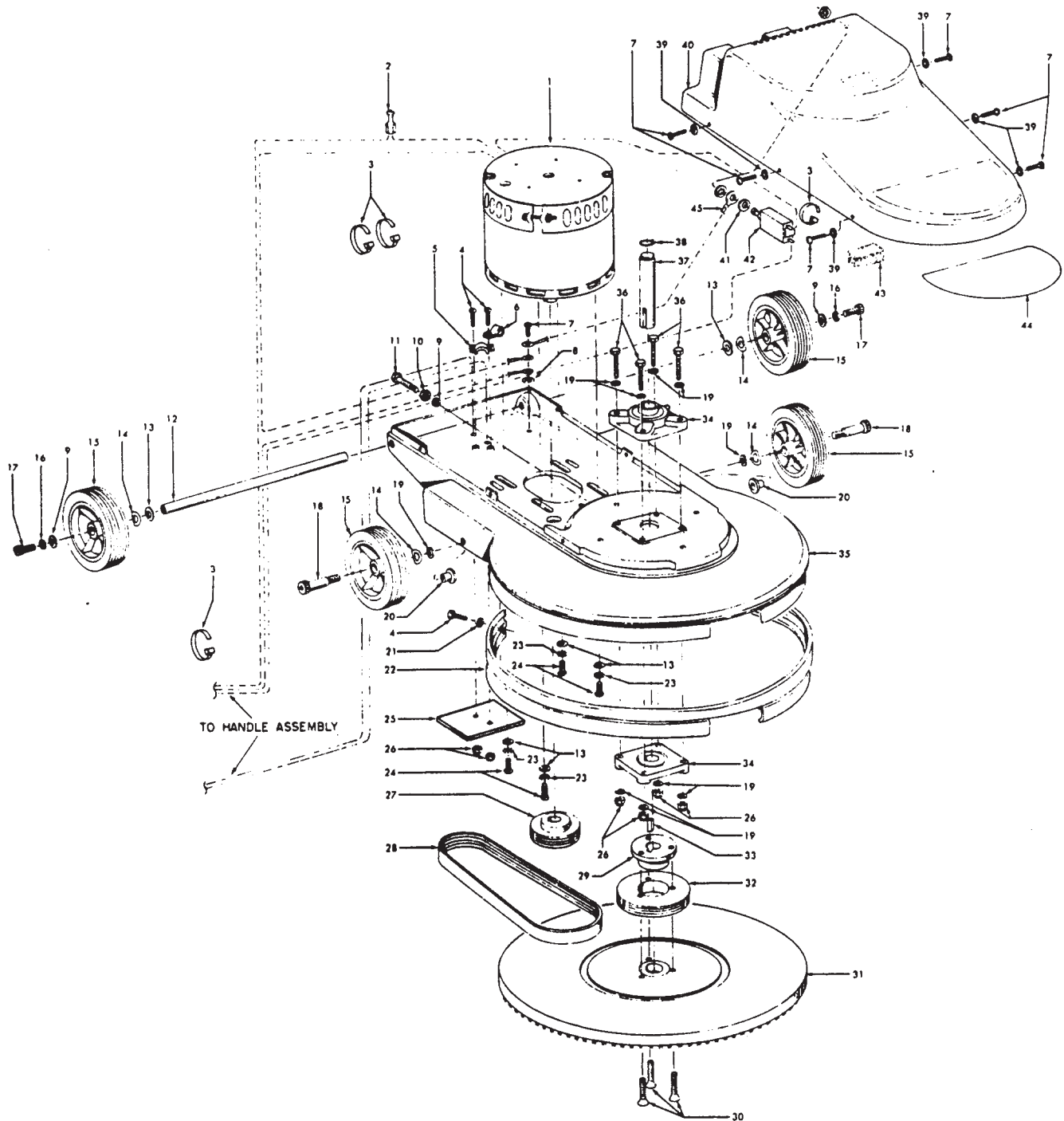
Models C5037, C5039, C5041

| Ref. No. | Part No. | Description                              |
|----------|----------|--|
| 1        | 21447209 | * Self Tapping Screw (4)                 |
| 2        | 21354601 | +* Lock Washer - Int. Tooth              |
| 3        | 37944008 | Cover Plate - AG                         |
| 4        | 21447207 | * Self Tapping Screw (7)                 |
| 5        | 1107641  | Plain Washer (2)                         |
| 6        | 21768127 | +* Machine Screw (2)                     |
| 7        | 38458019 | Switch Lever - AG                        |
| 8        | 38421046 | Switch Lockout Button - HP1              |
| 9        | 1539143  | Wire Tie (2)                             |
| 10       | 39454051 | Handle Grip - (2)                        |
| 11       | 37923035 | Switch Box - AG                          |
| 12       | 164929   | + Lockwasher                             |
| 13       | 21853019 | Locknut                                  |
| 14       | 38333006 | Tension Spring - FW                      |
| 15       | 34154005 | + Insulating Barrier                     |
| 16       | 38314002 | Compression Spring                       |
| 17       | 36957021 | Switch Bracket AY                        |
| 18       | 28218044 | + Switch                                 |
| 19       | 1107699  | Lockwasher - Int. Tooth                  |
| 20       | 1307631  | Hex Nut (2)                              |
| 21       | 27478611 | + Strain Relief                          |
| 22       | 1107602  | Hex Locknut (3)                          |
| 23       | 21781154 | + Hex Head Machine Screw (2)             |
| 24       | 21312796 | +* Flat Washer                           |
| 25       | 38452096 | Release Lever - AY                       |
| 26       | 25696405 | + Sleeve - LY                            |
| 27       | 34252015 | Restraint Bar                            |
| 28       | 43211008 | Cable Assm.                              |
| 29       | 36171029 | + Cable Clamp (2)                        |
| 30       | 21811018 | * Hex Head Bolt (2)                      |
| 31       | 1107627  | Lockwasher (2)                           |
| 32       | 34638009 | Cord Wrap - AX                           |
| 33       | 31722023 | Spacer (2)                               |
| 34       | 48663138 | + Handle Tube - (Early Models)           |
|          | 48663156 | + Handle Tube - (Late Models) (See Note) |
| 35       | 21347004 | Spring Washer                            |
| 36       | 21811021 | + Socket Head Shoulder Screw             |
| 37       | 23718104 | Knob                                     |
| 38       | 48663140 | + Handle Tube - (Early Models)           |
|          | 48663151 | Handle Tube - (Late Models) (See Note)   |
| 39       | 34287032 | Cam Plate                                |
| 40       | 21312798 | * Flat Washer (2)                        |
| 41       | 21751006 | Socket Head Shoulder Screw (2)           |
| 42       | 21312519 | Brass Washer (2)                         |
| 43       | 34252011 | Release Bar FW                           |
| 44       | 38314020 | Bail Release Spring FW                   |
| 45       | 21751005 | Socket Head Shoulder Screw               |
| 46       | 38335024 | Spring - AY                              |
| 47       | 34618021 | Handle Bracket - FW                      |
| 48       | 21831025 | Carrier Bolt (2)                         |
| 49       | 21854202 | * Hex Locknut                            |
| 50       | 46535003 | + Cord & Terminal Assm. - C5037          |
|          | 46535001 | + Cord & Terminal Assm. - C5039, 41      |
| 51       | 21854103 | * Hex Locknut (2)                        |
| 52       | 21851005 | Hex Locknut                              |
| 53       | 36222019 | Bumper                                   |
| 54       | 18972    | Insulated Terminals                      |
| 55       | 46583156 | Attach. Cord Assm.                       |
| 56       | 27482140 | Strain Relief                            |
| 57       | 21846155 | * Acorn Nut (2)                          |
| 58       | 51663004 | + Label FloorMAX                         |
| 59       | N/A      | + Label - C5037, C5039, C5041            |
| 60       | 21312812 | + Washer - Special                       |
| 61       | 31721042 | Spacer (2)                               |



NOTE: LATE MODELS STARTING SERIAL NUMBERS LISTED BELOW:

|        |           |
|--------|-----------|
| C5037: | 0994-2393 |
| C5039: | 0994-2571 |
| C5041: | 0994-3221 |



| Ref. No. | Part No. | Description                    |
|----------|----------|--------------------------------|
| 1        | 43174012 | + Motor Assm.                  |
| 2        | 18972    | Terminal - Insulated           |
| 3        | 1539143  | Wire Tie (4)                   |
| 4        | 21447208 | +* Self Tapping Screw (4)      |
| 5        | 27478611 | + Strain Relief                |
| 6        | 14492    | Cable Retainer                 |
| 7        | 21447207 | * Self Tapping Screw (7)       |
| 8        | 164929   | + Int. Tooth Lockwasher        |
| 9        | 21312798 | * Flat Washer (3)              |
| 10       | 1107628  | Nut                            |
| 11       | 21811018 | * Hex Head Bolt                |
| 12       | 31565006 | + Axle Shaft - AY              |
| 13       | 21312800 | * Flat Washer (6)              |
| 14       | 21347002 | Curved Spring Washer (4)       |
| 15       | 43247024 | Wheel Assm.                    |
| 16       | 1107627  | Lock Washer (2)                |
| 17       | 21751003 | +* Socket Head Cap Screw (2)   |
| 18       | 21751004 | Socket Head Shoulder Screw (2) |
| 19       | 21312799 | * Flat Washer (10)             |
| 20       | 21872104 | Weld Nut - AY (2)              |
| 21       | 21312797 | +* Flat Washer (2)             |
| 22       | 36235046 | Furniture Guard- LY            |
| 23       | 21356014 | +* Ext. Tooth Lockwasher (4)   |
| 24       | 21751002 | Button Head Cap Screw (4)      |
| 25       | 34175020 | + Bearing Plate                |
| 26       | 21854203 | Hex Locknut (6)                |
| 27       | 38524010 | Motor Sheave                   |
| 28       | 38528023 | Belt                           |
| 29       | 24118009 | Bushing                        |
| 30       | 21751007 | + Flat Head Machine Screw      |
| 31       | 48437023 | Pad Driver Assm.               |
| 32       | 38536001 | Sheave                         |
| 33       | 62161002 | * Key                          |

| Ref. No. | Part No. | Description               |
|----------|----------|---------------------------|
| 34       | 24113369 | Bearing (2)               |
| 35       | 37272077 | Burnisher Casting - LA    |
| 36       | 21811019 | Hex Head Bolt (4)         |
| 37       | 31534014 | Shaft                     |
| 38       | 24721163 | Retaining Ring            |
| 39       | 21312801 | * Flat Washer (6)         |
| 40       | 37271017 | Shroud - HP               |
| 41       | 163110   | * Flat Washer             |
| 42       | 27854007 | Circuit Breaker           |
| 43       | 34141007 | + Motor Cushion           |
| 44       | 51664016 | + Label - Shroud          |
| 45       | 46155014 | + Lead Wire Assm. - Green |

ITEMS NOT ILLUSTRATED

|          |   |
|----------|---|
| 171151   | Center Hub (Pad Driver)<br>(Screw on design)  |
| 171150   | Pad Fastener (Screw on design)                |
| 171153   | + Center Hub (Pad Driver)<br>(Snap on design) |
| 171152   | Pad Fastener (Snap on design)                 |
| 27292003 | Carbon Brush (4)                              |
| 59131355 | Keyway- Motor Sheave                          |

PACKAGING MATERIAL

|          |                     |
|----------|---------------------|
| 58188008 | + Carton            |
| 58219014 | + Rear Support (2)  |
| 58219015 | + Front Top Support |
| 58347008 | + Top Support       |
| 58351024 | + Front Support     |
| 58369056 | + Bottom Support    |
| 56518054 | Instruction Book    |

## Floor Machine / Wet Dry Vac Accessories

### Models F7089, F7091, F7093



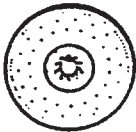
20' Bassine Brush  
Part No. 59131103

17' Bassine Brush  
Part No. 59131100



20" Union Mix Dry  
Polishing Brush  
Part No. 59131104

17" Union Mix Dry  
Polishing Brush  
Part No. 59131101



20" Pad Holder  
Part No. 59131105

17" Pad Holder  
Part No. 59131102



Clutch Plate  
Part No. 59131047



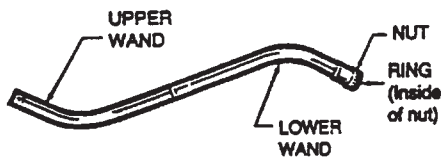
20" High Speed Pad Holder  
Part No. 59131106 -  
For Model F7093 only

Bristle Face, Part No. 59131077

Foam Pad, Part No. 59131078

### PowerMax Wet Dry Vacs

Two Piece Wand Assembly  
Part No. 59131299 (Finished Good)



Upper Wand, Part No. 38646054  
Lower Wand, Part No. 38644045 (Inc. Nut and Ring)  
Nut, Part No. 36116028  
Ring, Part No. 33713004

### Models S7085, S7087

Dry Pickup Filter Assembly  
8 gallon, Part No. 59131108  
12 gallon, Part No. 59131115

10'x 1-1/2' Hose  
Part No. 59131107



All Commercial  
Wet Dry Vacs

### Models S7085, S7087

4'x 1-1/2' Chrome Plated Steel Floor Wand  
wet/dry use, Part No. 59131109



Crevice Tool  
Part No. 59131112



Dusting Brush with Adaptor  
Part No. 59131113



Inserts, Part No. 59131229



14' Dry Pickup Nozzle, Part No. 59131136  
Brush Back, Part No. 59131233



Blade Kit, Part No. 59131181

### Models C5031, C5033, C5035

17" Shower Feed Brush - C5031  
Part No. 48437014 (Service Part)

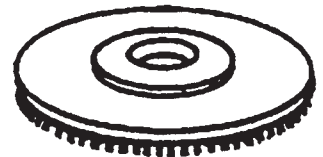
20" Shower Feed Brush - C5033, C5035  
Part No. 59137104 (Service Part)



17" Pad Holder - C5031  
Part No. 48436010 (Service Part)

20" Pad Holder - C5033, C5035  
Part No. 59137102 (Service Part)

20" High Speed Pad Driver - C5035 ONLY  
Part No. 48437019 (Service Part)



### Models C5023, C5025, C5027, C5031, C5033, C5035



Clutch Plate, Part No. 59137338