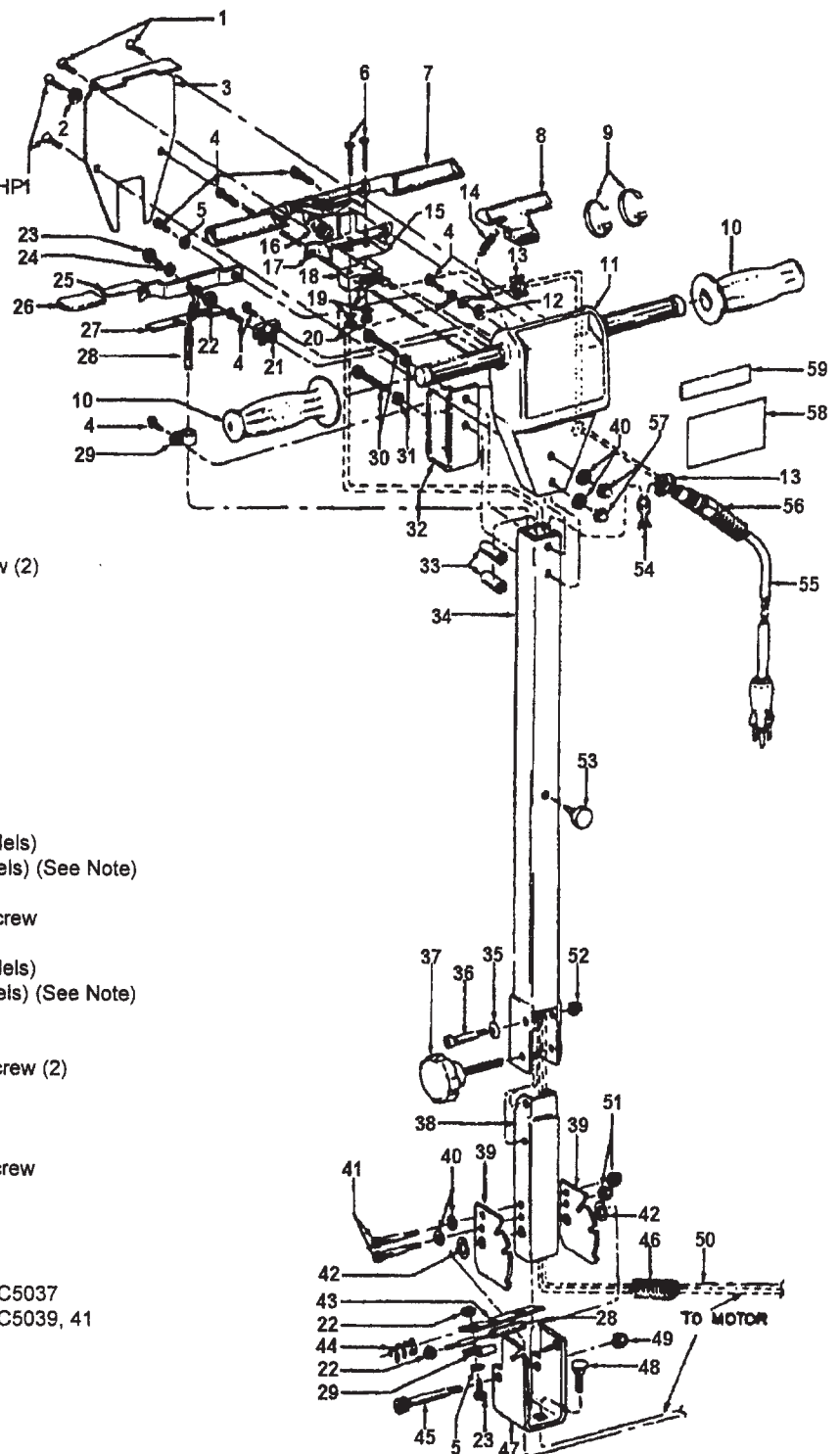


Handle Assembly

Models C5037, C5039, C5041

Ref. No.	Part No.	Description
1	21447209	* Self Tapping Screw (4)
2	21354601	+* Lock Washer - Int. Tooth
3	37944008	Cover Plate - AG
4	21447207	* Self Tapping Screw (7)
5	1107641	Plain Washer (2)
6	21768127	+* Machine Screw (2)
7	38458019	Switch Lever - AG
8	38421046	Switch Lockout Button - HP1
9	1539143	Wire Tie (2)
10	39454051	Handle Grip - (2)
11	37923035	Switch Box - AG
12	164929	+ Lockwasher
13	21853019	Locknut
14	38333006	Tension Spring - FW
15	34154005	+ Insulating Barrier
16	38314002	Compression Spring
17	36957021	Switch Bracket AY
18	28218044	+ Switch
19	1107699	Lockwasher - Int. Tooth
20	1307631	Hex Nut (2)
21	27478611	+ Strain Relief
22	1107602	Hex Locknut (3)
23	21781154	+ Hex Head Machine Screw (2)
24	21312796	+* Flat Washer
25	38452096	Release Lever - AY
26	25696405	+ Sleeve - LY
27	34252015	Restraint Bar
28	43211008	Cable Assm.
29	36171029	+ Cable Clamp (2)
30	21811018	* Hex Head Bolt (2)
31	1107627	Lockwasher (2)
32	34638009	Cord Wrap - AX
33	31722023	Spacer (2)
34	48663138	+ Handle Tube - (Early Models)
	48663156	+ Handle Tube - (Late Models) (See Note)
35	21347004	Spring Washer
36	21811021	+ Socket Head Shoulder Screw
37	23718104	Knob
38	48663140	+ Handle Tube - (Early Models)
	48663151	Handle Tube - (Late Models) (See Note)
39	34287032	Cam Plate
40	21312798	* Flat Washer (2)
41	21751006	Socket Head Shoulder Screw (2)
42	21312519	Brass Washer (2)
43	34252011	Release Bar FW
44	38314020	Bail Release Spring FW
45	21751005	Socket Head Shoulder Screw
46	38335024	Spring - AY
47	34618021	Handle Bracket - FW
48	21831025	Carrier Bolt (2)
49	21854202	* Hex Locknut
50	46535003	+ Cord & Terminal Assm. - C5037
	46535001	+ Cord & Terminal Assm. - C5039, 41
51	21854103	* Hex Locknut (2)
52	21851005	Hex Locknut
53	36222019	Bumper
54	18972	Insulated Terminals
55	46583156	Attach. Cord Assm.
56	27482140	Strain Relief
57	21846155	* Acorn Nut (2)
58	51663004	+ Label FloorMAX
59	N/A	+ Label - C5037, C5039, C5041
60	21312812	+ Washer - Special
61	31721042	Spacer (2)



NOTE: LATE MODELS STARTING SERIAL NUMBERS LISTED BELOW:

C5037:	0994-2393
C5039:	0994-2571
C5041:	0994-3221

Ref. No.	Part No.	Description
1	46155013	+ Ground Lead Assm. - Green
2	28642092	+ Capacitor Run
3	21312801	* Flat Washer (9)
4	21447207	* Self Tapping Screw (8)
5	51664016	+ Label - Shroud
6	1539143	Wire Tie (4)
7	28642093	+ Capacitor- Start
8	21447208	+* Self Tapping Screw (4)
9	27478611	+ Strain Relief
10	21312798	* Flat Washer (3)
11	1107628	Nut
12	21811026	Hex Head Bolt
13	31565006	+ Axle Shaft - AY
14	21312800	* Flat Washer (2)
15	21347002	Curved Spring Washer (4)
16	43247024	Wheel Assm.
17	1107627	Lockwasher (2)
18	21751003	+* Socket Head Cap Screw (2)
19	21751004	Socket Head Shoulder Screw (2)
20	21312799	* Flat Washer (1 0)
21	21872104	Weld Nut -AY (2)
22	21312797	+* Flat Washer (2)
23	36235046	Furniture Guard - LY
24	34175020	+ Bearing Plate
25	21854203	Hex Locknut (6)
26	21854202	* Hex Locknut (4)
27	38524012	Motor Sheave
28	38528023	Belt
29	24118009	Bushing
30	21751007	+ Flat Head Machine Screw (3)
31	48437023	Pad Drive Assm.
32	38536001	Sheave
33	62161002	* Key
34	24113369	Bearing (2)

Ref. No.	Part No.	Description
35	37272075	Burnisher Casting - LA
36	164929	+ Lockwasher
37	21811019	Hex Head Bolt (4)
38	31534014	Shaft
39	24721163	Retaining Ring
40	43174015	Motor -1.5 HP
41	14492	Cord Clamp
42	1107647	* Washer (2)
43	37271019	Shroud - HP
44	21765501	Machine Screw- Nylon
45	28128009	Circuit Breaker
46	34141006	+ Motor Cushion
47	21312799	* Flat Washer (4)
48	18972	Insulated Terminal

ITEMS NOT ILLUSTRATED

171151	Center Hub (Pad Driver) (Screw on design)
171150	Pad Fastener (Screw on design)
171153	+ Center Hub (Pad Driver) (Snap on design)
171152	Pad Fastener (Snap on design)
59131355	Keyway - Motor Sheave

PACKAGING MATERIAL

58188008	+ Carton
58219014	+ Rear Support (2)
58219015	+ Front Top Support
58347008	+ Top Support
58351024	+ Front Support
58369056	+ Bottom Support
56518054	Instruction Book

Floor Machine / Wet Dry Vac Accessories

Models F7089, F7091, F7093



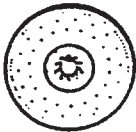
20' Bassine Brush
Part No. 59131103

17' Bassine Brush
Part No. 59131100



20" Union Mix Dry
Polishing Brush
Part No. 59131104

17" Union Mix Dry
Polishing Brush
Part No. 59131101



20" Pad Holder
Part No. 59131105

17" Pad Holder
Part No. 59131102



Clutch Plate
Part No. 59131047



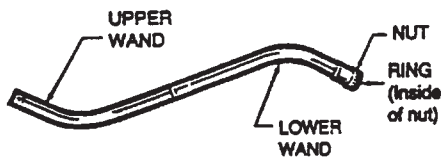
20" High Speed Pad Holder
Part No. 59131106 -
For Model F7093 only

Bristle Face, Part No. 59131077

Foam Pad, Part No. 59131078

PowerMax Wet Dry Vacs

Two Piece Wand Assembly
Part No. 59131299 (Finished Good)



Upper Wand, Part No. 38646054
Lower Wand, Part No. 38644045 (Inc. Nut and Ring)
Nut, Part No. 36116028
Ring, Part No. 33713004

Models S7085, S7087

Dry Pickup Filter Assembly
8 gallon, Part No. 59131108
12 gallon, Part No. 59131115

10'x 1-1/2' Hose
Part No. 59131107



All Commercial
Wet Dry Vacs

Models S7085, S7087

4'x 1-1/2' Chrome Plated Steel Floor Wand
wet/dry use, Part No. 59131109



Crevice Tool
Part No. 59131112



Dusting Brush with Adaptor
Part No. 59131113



Inserts, Part No. 59131229



14' Dry Pickup Nozzle, Part No. 59131136
Brush Back, Part No. 59131233



Blade Kit, Part No. 59131181

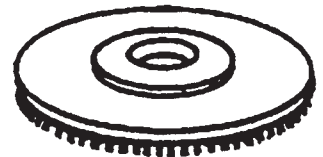


Models C5031, C5033, C5035

17" Shower Feed Brush - C5031
Part No. 48437014 (Service Part)

20" Shower Feed Brush - C5033, C5035
Part No. 59137104 (Service Part)

17" Pad Holder - C5031
Part No. 48436010 (Service Part)



20" Pad Holder - C5033, C5035
Part No. 59137102 (Service Part)

20" High Speed Pad Driver - C5035 ONLY
Part No. 48437019 (Service Part)

Models C5023, C5025, C5027, C5031, C5033, C5035



Clutch Plate, Part No. 59137338