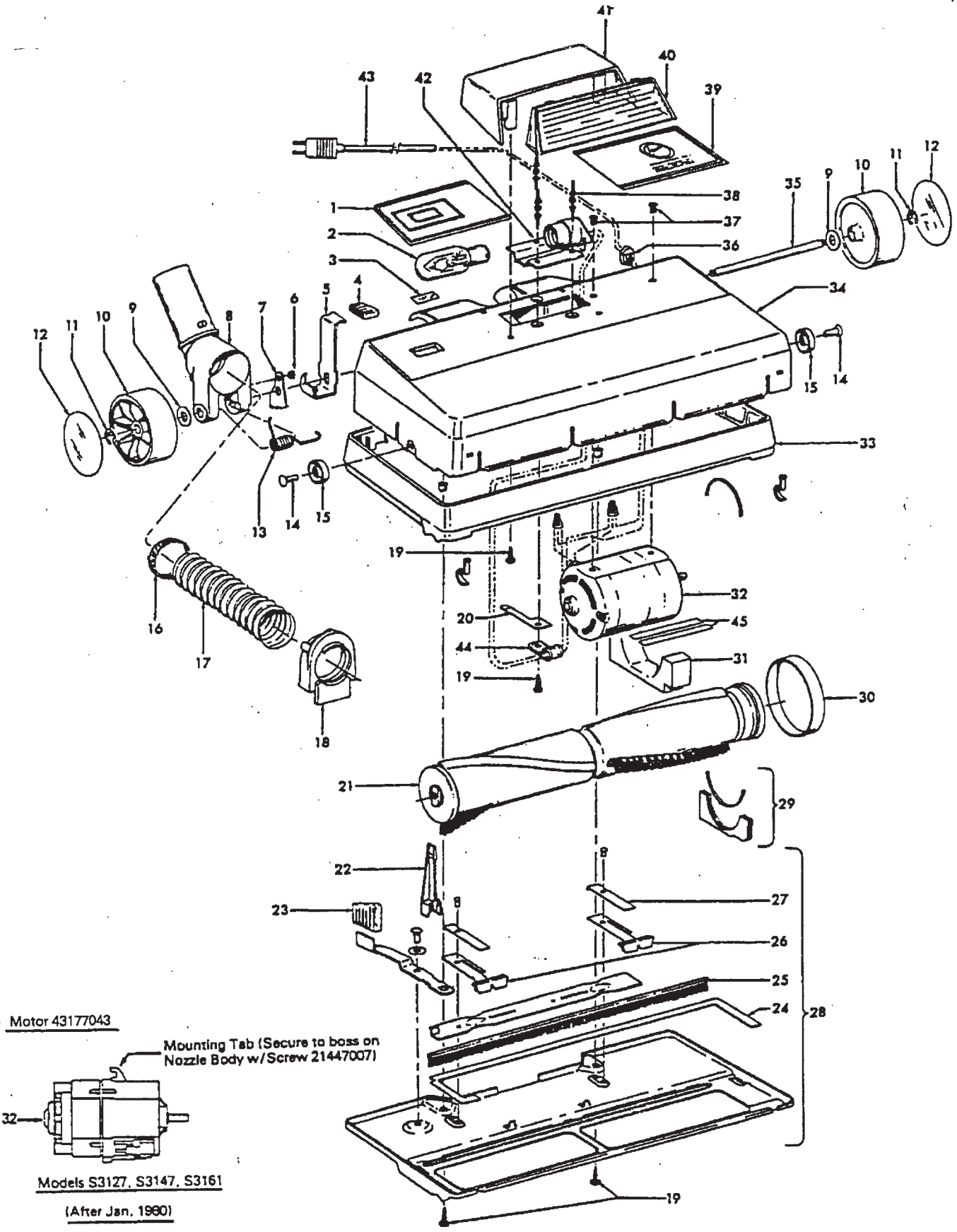


Ref. No.	Part No.	Description
	48416004	Agitator Assm. Comp.
	48416005	Agitator Assm. Comp. - S7053
1	48495AY	Thread Guard Assm. - L.H.
2	12987	+ Retainer Clip (2)
3	13010	* Washer - Felt (2)
4	12978	Agitator Bearing Assm. (2) (Use w/item 2,3)
	43267002	Agitator Bearing Assm. (2) (Current)

Ref. No.	Part No.	Description
5	21347003	* Washer
6	160542	Agitator End Assm.
7	160070	Agitator Shaft
8	160646BZ	Agitator Brush Back Assm. (2)
	48445010	Agitator Brush Back Assm. - S7053
9	160538	Agitator End Pulley
10	12985AY	Agitator Thread Guard Assm. - R.H.

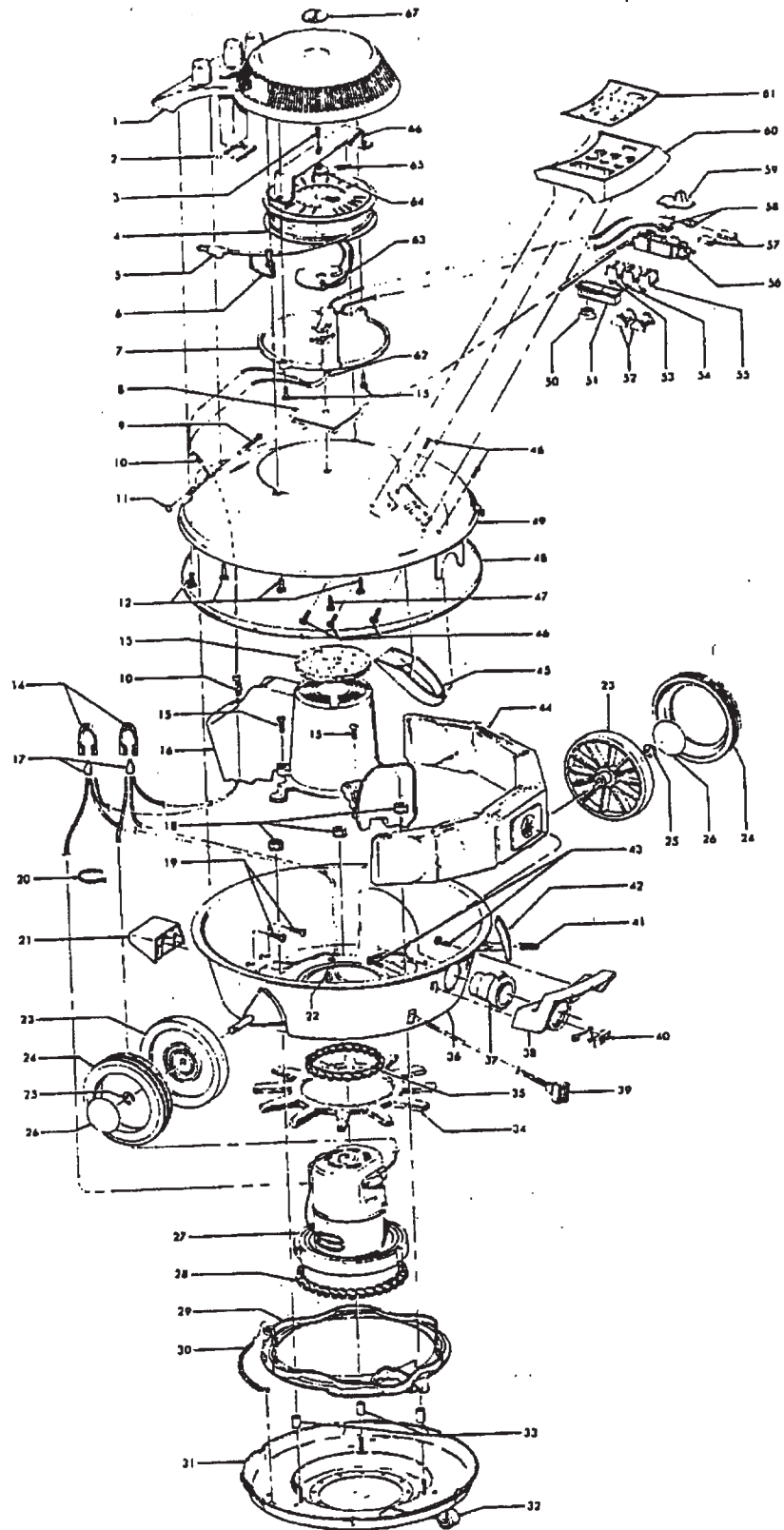


Ref. No.	Part No.	Description
1	51639014	+ Nameplate
2	27317307	Lamp
3	39382013	+ Indicator Lens
4	38426071	Foot Pad
5	34664007	Handle Release Lever
6	43468013	Nozzle Position Bracket Assm.
7	43468013	Nozzle Position Bracket Assm.
8	43468013	Nozzle Position Bracket Assm.
9	31155005	* Washer - Plain (2)
10	38522001	Wheel (2)
11	13730	* Lock Ring (2)
12	169242	Wheel Cover (2)
13	38355005	Torsion Spring
14	21256025	Rivet (2)
15	32761001	Wheel (2)
16	166651	Felt Seal
17	43431196	Hose
18	38638013	Hose Adapter
19	21429404	+ Screw (3)
20	35412003	Spring
21	48416004	Agitator
22	51151031	+ Indicator
23	38426080	Foot Pad
24	34123001	Seal
25	48443001	Brush
26	36952008	Brush Support (2)
27	34654003	Spring (2)
28	42246003	Bottom Plate Assm.

Ref. No.	Part No.	Description
29	43548001	+ Agitator Seal Assm.
30	38528009	Belt
31	38781003	Dirt Seal
32	27212011	+ Motor (Use w/21434224 Screw, 2)
33	36235017	Furniture Guard - LY
34	42241041	Nozzle Body Assm.
35	32543002	Wheel Shaft
36	163768	Strain Relief
37	21768123	Screw (2)
38	36218005	Isolation Grommet (3)
39	51661006	+ Nameplate
40	39383014	Lens
41	42252002	Housing Assm.
42	47171002	+ Dirt Finder Socket Assm.
43	46321002	Attachment Cord
44	12910	Tube Clamp
45		Electrical Tape - 1/2" Wide
	48438055	Powered Nozzle Comp. (Dlx. see Canister section page 126 for diagram)

ITEMS NOT ILLUSTRATED

51638007	Handle Release Label
34618015	Bracket Assm. (Use w/27212011 Plastic Case) when installing on old style Nozzle Body with two mounting holes)



Ref. No.	Part No.	Description
1	37215047	+ Cord Reel Housing
2	170334AG	+ Gasket
3	19765	+* Screw
4	46831015	Cord Reel Comp.
5	46363146	+ Attach. Cord
6	170368JM	+ Plug Insert
7	47348007	+ Brush Block Comp.
8	34165002	+ Brush Block Insulator (2)
9	47938--	* Hinge Pin
10	27482227	Strain Relief Bushing (2)
11	48123AV	+* Lock Ring
12	12619	+* Screw (4)
13	170332BZ	Secondary Filter
14	161881	+ Terminal Lock (2)
15	17001FW	* Screw (5)
16	170375JM	+ Motor Cover
17	48969	* Wire Nut (2)
18	21652003	+ Hex Nut (3)
19	21447014	* Screw (2)
20	27479307	* Wire Tie
21	170359PH	+ Rear Rest Pad
22	34341006	Retaining Clip
23	160108PH	+ Wheel
24	161448AG	+ Rubber Tire
25	160017	* Lock Ring (2)
26	169242	Wheel Cover (2)
27	43577074	+ Motor Complete (P. 59)
28	169294	Motor Mount - Lower
29	170374JM	Blower Adapter
30	170339	+ Spring
31	41421129	Bottom Pan Comp.
32	23737202	Caster Wheel
33	31721004	+ Spacer (3)
34	31194005	+ Muffler
35	169293	Motor Mount - Upper
36	42213126	+ Intermediate Shell Comp.
37	170352AG	Bag Collar Connector
38	39457006	+ Handle
39	46326076	+ Connector

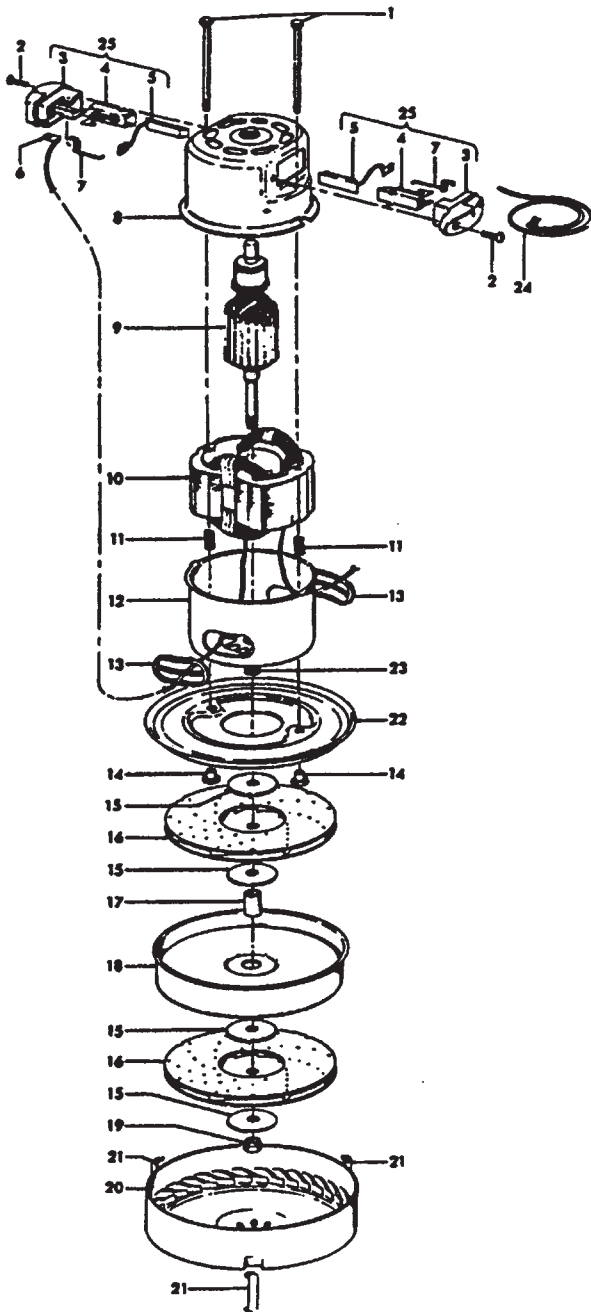
Ref. No.	Part No.	Description
40	36151012	Latch
41	48512FW	+ Shell Cover Latch Spring
42	16439JX	+ Shell Cover Latch Cover Latch
43	166735EF	+ Screw (2)
44	4010009H	Throw Away Bag - (3 - Pk.)
45	37911002	+ Vacuum Control Panel
46	21479229	Screw (Control Panel) (5)
47	21447003	* Screw
48	170361JM	+ Furniture Guard
49	37211017	+ Upper Shell
50	32172002	Bag Indicator Seal
51	51151002	Full Bag Indicator Comp.
52	170344HE	+ Cam (2)
53	170345AG	+ Vacuum Control Button (Min.)
54	38422002	+ Vacuum Control Button (Med.)
55	38422007	+ Vacuum Control Button (Max.)
56	47538005	Switch Actuator Assm.
57	162961	Insulating Pod (Pigtail) (2)
58	163055	* Terminal (Pigtail) (2)
59	38421017	+ Switch Button
60	170370JM	+ Control Panel Cover
61	51481004	+ Control Panel
62	46312015	+ Pigtail Cord
63	46831076	Commutator
64	19999--	+ Ratchet
65	38331004	+ Detent Spring
66	170343	+ Cord Reel Bracket
67	51661008	+ Medallion

ITEMS NOT ILLUSTRATED

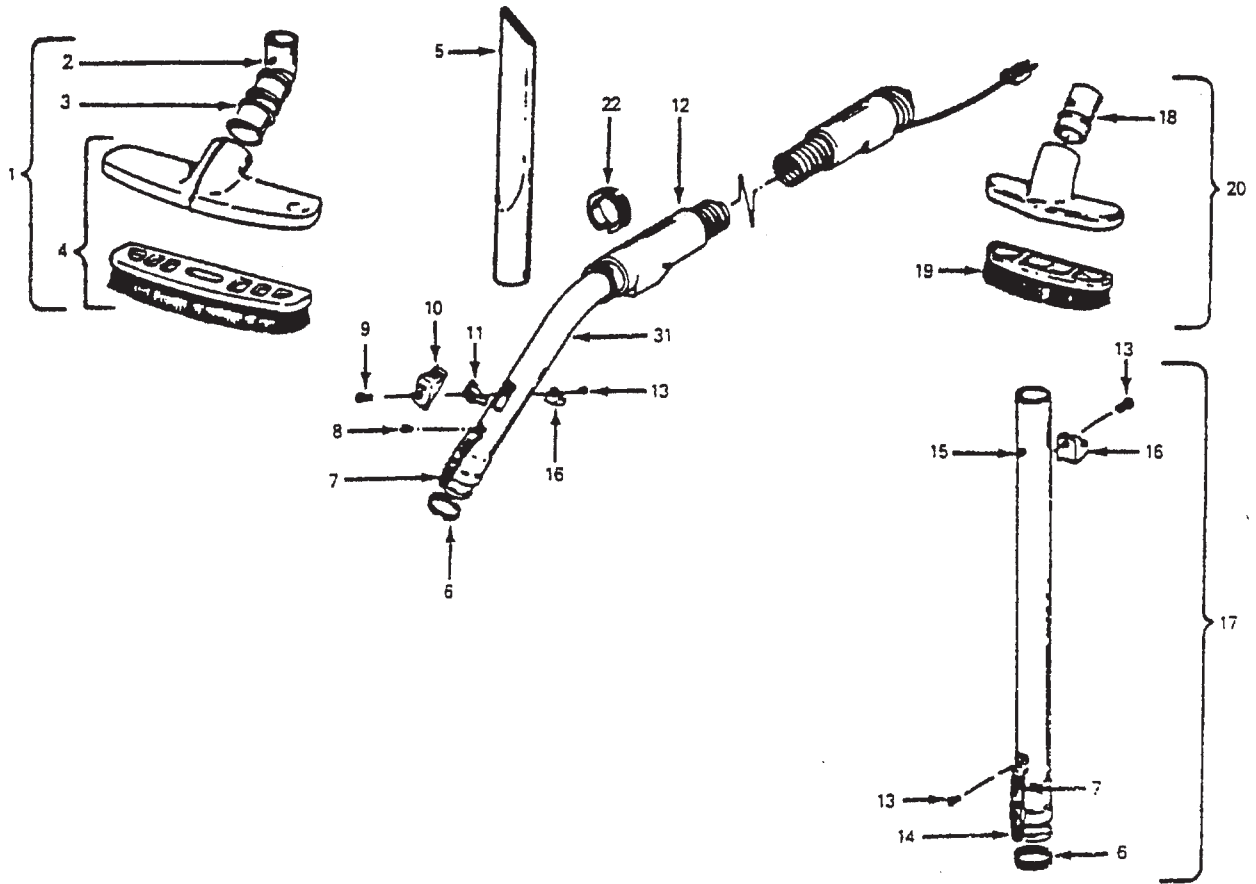
170351AW + Hinge Leaf Upper Shell

PACKAGING MATERIAL

58132009 + Nozzle Carton  
 58332001 + Nozzle Support  
 56513038 + Owner Manual



Ref. No.	Part No.	Description
	43577074	+ Motor Comp.
1	12022	Field Lamination Bolt (2)
2	21429406	Screw (2)
3	168038AG	Brush Housing - Only (2)
4	168506-	Brush Holder (2)
5	167679	Carbon Brush Comp. (2)
6	27666551	* Terminal
7	38353004	Spring (2)
8	169706-	Motor Housing - Upper
9	44765106	+ Armature Comp.
10	45311022	+ Field Comp.
11	167721FW	Spring (2)
12	41823001	Motor Housing - Lower
13	169702BZ	+ Lead Wire Bushing (2)
14	167695EF	Nut Special (2)
15	21312774	+ Washer (4)
16	43566006	+ Fan Comp. (2)
17	31732003	Spacer
18	169712	+ Interstage Comp.
19	33426001	Nut Special
20	37218005	Diffuser
21	34786002	Spring Clip (3)
22	169713FW	Motor Mounting Plate
23	31148002	Spacer
24	46163005	+ Lead Wire - Black
25	168506-	Brush Housing Comp. (2)



Ref. No.	Part No.	Description	Ref. No.	Part No.	Description
1	13077JM	+ Floor Brush Assm.	11	13257BZ	Suction Regulator Support
	43414073	Floor Brush Assm.	12	43433085	Current Carrying Hose
2	13154JM	+ Floor Brush Swivel Connector (Use w/13077JM)	13	12783	+* Rivet (2)
	38644040	Swivel Connector (Use w/43414073)	14	12772	+* Rivet
3	13276	Floor Brush Swivel Bushing (Use w/13154JM)	15	12763AW	* Rivet
	33712007	Split Ring (Use w/38644040)	16	36171005	Cord Clip
4	13155JM	+ Floor Brush Back & Nozzle Assm. (Use w/13077JM)	17	43453088	Ext. Tube Assm. (2)
5	38617017	Crevice Tool	18	13149JM	Nozzle Connector Tube (Use w/161852JM)
6	38784087	Gasket (2)	19	13254BZ	+ Brush Back Comp. (Use w/161852JM)
7	12846AG	Tube Latch (2)	20	161852JM	+ Furniture Brush Comp.
8	12783	+* Rivet		43414016	Furniture Brush - AG
9	13275	+* Screw	22	36153009	Latch Ring
10	13142AG	Suction Regulator Control			