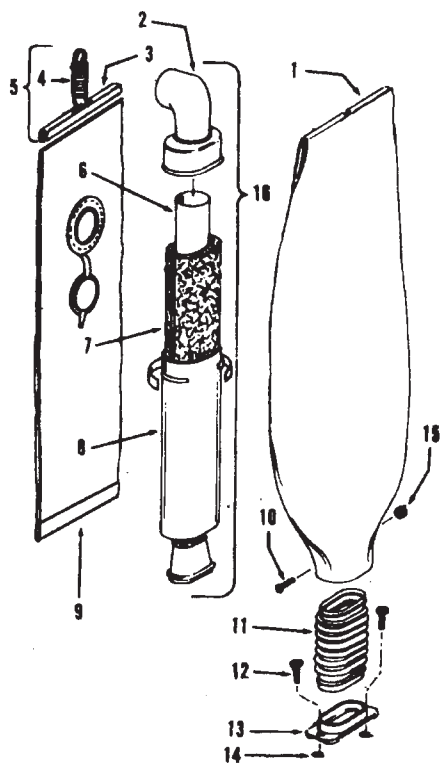
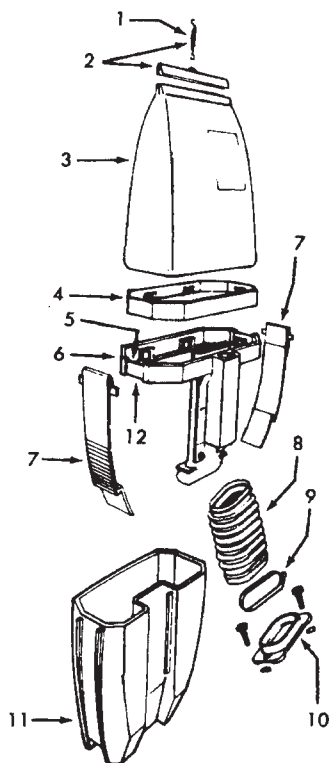


Conquest Cleaner



Cloth Bag Assm. 40201060 (Warehouse)

Ref. No.	Part No.	Description
	43678060	Cloth Bag Assm. AG (Inc. items 1-16)
1	43674055	Outer Cloth Bag - AG
2	38657012	Top Fill Tube
3	36425026	Bag Closure Clip - AG
4	38336019	Spring
5	41128016	Bag Spring/Clip Assm.
6	31746020	Liner
7	34133005	Foam Muffler
8	37257083	Housing
9	43667037	Inner Cloth Bag - Early Style
	43667054	Inner Cloth Bag - Late Style with clip on bottom (pictured)
10	17206	Screw
11	38673010	Bellows
12	36112002	Screw
13	36425005	Bag Flange
14	13759	Lock Ring
15	15854EF	Nut
16	42256012	Muffler Assm.
	4010001A	Paper Bag - (3 Pk.) (Optional)
	4010100A	Paper Bag - (3 Pk.) Allergen Filtration (Optional)

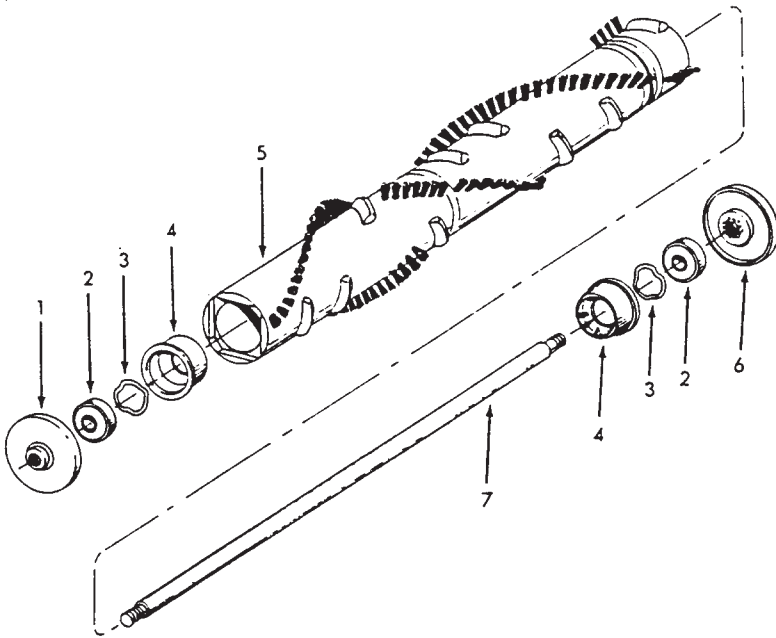


Dust Cup Kit 58642015 (Warehouse)

Ref. No.	Part No.	Description
1	38336019	Spring
2	41128016	Bag Spring/Clip Assm.
3	43667040	Cloth Bag - Orange
	43667056	Cloth Bag - Black
4	35173001	Bag Expander
5	34112015	Seal
6	41427012	Cup Support & Bellows - LY
7	36155011	Latch - AG
8	38673001	Bellows - AG
9	49044	Clamp
	17206	Screw
	15854EF	Nut
10	41424018	Bag Flange
11	38775001	Dust Cup
12	34123020	Seal

Ref. Part
No. No. Description

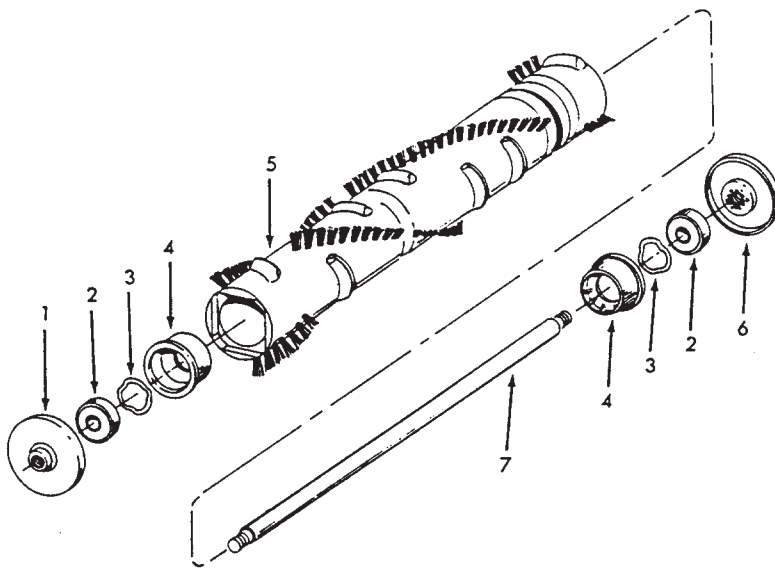
Agitator 48416036 - 18"



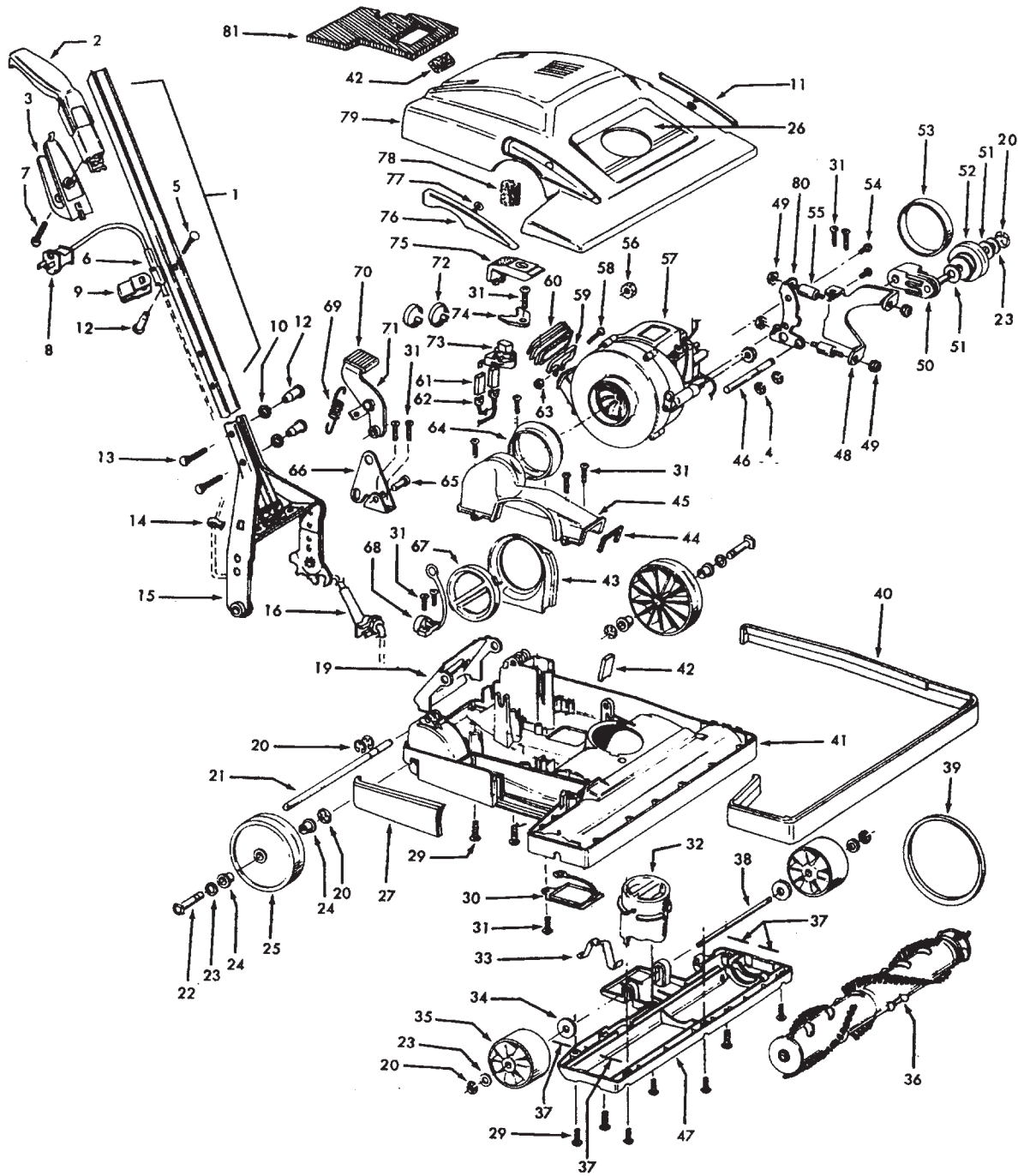
1	41435066	Thread Guard
2	24152807	Bearing
3	21345113	* Wave Spring Washer
4	36422004	AgitatorEnd
5	48416017	Agitator Body w/Ends
6	41435061	Thread Guard
7	32873004	Agitator Shaft

Ref. Part
No. No. Description

Agitator 48416035 - 14"



1	41435066	Thread Guard
2	24152807	Bearing
3	21345113	* Wave Spring Washer
4	36422004	AgitatorEnd
5	48416013	Agitator Body w/Ends
6	41435061	Thread Guard
7	32873007	Agitator Shaft



Ref. No.	Part No.	Description	Ref. No.	Part No.	Description
1	48631149	Handle Assembly (Inc. items 5,9,12)	49	21852158	Nut
	39467069	+ Handle - Only - AX	50	43256007	Pulley Arm
2	39454060	Handle Grip	51	31158008	Brass Washer
3	39442017	Cord Hook - AG	52	43256002	Pulley
4	13730	* Lock Ring	53	38528036	Belt
5	21631301	Handle Bolt	54	17001FW	* Screw
6	36215025	Cord Protector - AAW	55	32724010	Sandwich Mount
7	21479254	* Screw	56	21652005	* Nut
8	46583148	Attach. Cord - AAW - 50	57	43574106	Motor (P. 161)
9	36172040	Cord Clamp	58	21765140	* Screw
10	13704	* Lock Washer	59	34797008	Band
11	36222012	Wear Strip - LH - U7071-080	60	38671008	Bellows
	36222014	Wear Strip - LH - AG - C1810	61	162961	Insulating Pod
12	32277008	Handle Nut	62	163055	* Terminal
13	21831024	Handle Bolt	63	15854EF	* Nut
14	36172015	Cord Retainer - AAW	64	38671005	Boot
15	41416022	Bail	65	32215002	Shaft
16	36216008	Cord Protector	66	35214009	Lever Support
19	42256106	Exhaust Flange	67	37257074	Cap - LY - U7071-080
20	160017	* Lock Ring		37257282	Cap - AFA - C1810
21	32563009	Bail Shaft	68	27478611	+ Strain Relief
22	32512001	Rear Axle	69	38335008	Spring
23	163110	* Washer	70	38426030	Foot Pad - AG
24	162143	Bearing	71	43151006	Handle Control Lever (Inc. item 70)
25	38522036	Rear Wheel - AG	72	27479307	* Wire Tie
26	52115108	Nameplate - U7069-080	73	28212009	Switch
	51353002	Nameplate - C1810	74	36171030	Clamp
27	36231084	Furn. Guard - AG - Short - U7071-080	75	38426047	Switch Pedal - AG
	36231154	Furniture Guard - BU - Short - C1810	76	36222017	Wear Strip - RH - U7071-080
29	21447215	* Screw		36222021	Wear Strip - RH - AG - C1810
30	35121001	Access Door	77	21364102	* Speed Nut
31	21447003	* Screw	78	31164004	Motor Cushion
32	36436005	Adjustment Cap - AG	79	Note: All Hoods include items 11, 76, 77	
33	38381005	Spring		37252010	Hood - AAW - U7071-080
34	21312754	* Washer		37252031	Hood - AG - C1810
35	38522034	Front Wheel - AG	80	36321002	Mounting Bracket
36	48416036	Agitator (P. 157)	81	38783005	Gasket
37	34122019	* Bottom Plate Duct Seal	PACKAGING MATERIAL		
38	32543005	Axle		56711051	+ Assm. Inst. Sheet - U7071-080
39	38528013	V-Belt		56711147	Assm. Inst. Sheet - C1810
40	41211006	Furn. Guard - Long - LY - U7071-080		56711052	Operating Inst. Folder - U7071-080
	36231061	Furniture Guard - Long - BU - C1810		56711143	Operating Inst. Folder - C1810
41	37241115	Main Body		58185145	+ Carton - U7071-080
42	34141005	Motor Cushion		58172013	Carton - C1810
43	41119008	Cap Lock		Not Available	Rear Top Support
44	34253013	Duct Gasket		Not Available	Rear Support
45	38657020	Air Duct		Not Available	Front Top Support
46	31534001	Shaft	ITEMS NOT ILLUSTRATED		
47	37245064	Bottom Plate		37257086	Intake Duct (Duct on top of motor)
48	36321006	Support Bracket		34132019	Motor Cushion (mounts to item 30)
				51638061	Object Cleanout Label
				51664023	Lens Label

CLOTH BAG ASSEMBLY / DUST CUP ASSEMBLY P. 158

Conquest Cleaner - Motor- 43574106 (6.5 & 7.0 Amp) + 43576059 (5.2 Amp)

Ref. No.	Part No.	Description	Ref. No.	Part No.	Description
1	36128003	Lock Washer	15	21345115	Washer
2	33426001	Nut	16	37257086	Air Intake Duct
3	21447072	* Screw	17	21447041	Screw
4	38736025	Fan Chamber Cover	18	47315010	Carbon Brush
5	38755012	Fan	19	47318008	Brush Carrier Assm.
6	21641557	* Nut	20	21479302	Screw
7	43588018	Fan Chamber	21	38353004	Spring
8	32724015	Sandwich Mount	22	21338006	Lock Washer
9	12854	Spring	23	37191090	Motor Housing
10	24152807	Bearing	24	21563061	Screw
11	24198001	* Star Ring	25	12503EF	Rivet
12	12025	* Retainer	26	166563	Washer
13	45311042	+ Field Coil (5.2 Amp) use 45311056	27	45517	Lead Wire Holder
	45311056	Field Coil (6.0 & 7.0 Amp)			
14	44765184	Armature (5.2 Amp)			
	44765187	Armature (6.0 & 7.0 Amp)			

(6.5 & 7.0 Amp)

(Yellow Sleeve on Armature)

