

**Commercial Upright Cleaner**

**Model C1498, C1498-020, C1499, C1499-020**

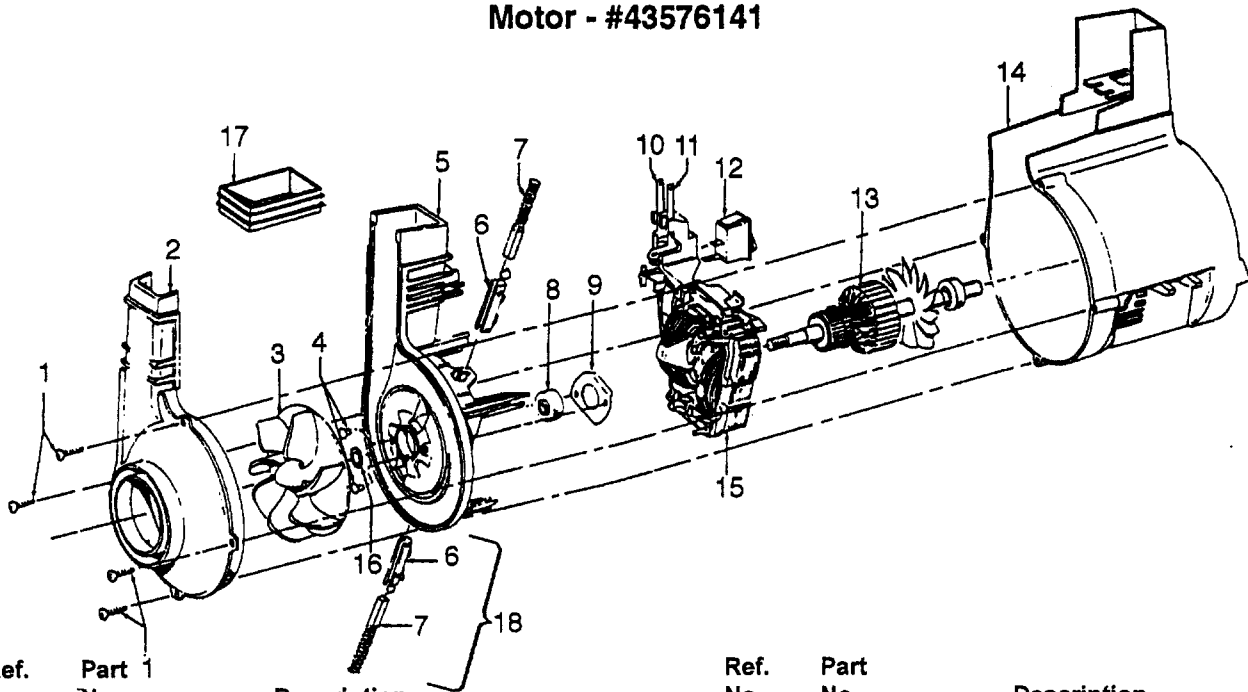
Ref. No.	Part No.	Description
1	48663173	Upper Handle Assem.
2	37911079	Handle Cap - ABE
3	46368007	Attach. Cord - AG - 35 Ft. - C1498, C1499
	46388033	Attach. Cord - AG - 50 Ft. - C1498-020,
4	38335020	Bag Strap Spring - AY
5	36425072	Bag Strap - ABE
6	36425064	Jacket Support - Upper - MW
7	43686214	Outer Bag - MB - (Inc. Items 6,11)
8	40201085	Nut & Bolt
9	48669017	Lower Handle - MW
10	38458046	Switch Control Rod - AG
11	36425063	Jacket Support - Lower - MW
12	31531008	Rear Wheel Shaft - AY
13	38522011	Rear Wheel - AG
14	38567008	Cam Actuator - KE
15	38421070	Indicator Knob - ABE
16	38458022	Handle Release Lever
17	38784016	Seal
18	36131057	Motor Retainer Cap - R.H.
19	21447217	* Screw - Self Tapping
20	38351013	Spring - C1498, C1498-020
21	4010001A	Throw - Away Bag - 3 Pk.
22	37257238	Door -ABX - C1498,C1498-020
	37257143	Door -AG - C1499-020 (after 11/2001)
23	Not Applic.	Seal
24	Not Applic.	* Speed Nut
25	42252A36	Hood Assem. - ABZ - C1498, C1498-020 (incl. Items 22,26)
	42252B48	Hood Assem. - AG - C1499-020 (after 11/2001)
26	37246130	Panel - AG - C1498, C1498-020, C1499-020 (after 11/2001)
27	36131090	Motor Retainer Cap - L.H.
28	43576141	Motor (P.221)
29	34572002	Cam Actuator Spring
30	38528027	+ Belt (use 38528040)

Ref. No.	Part No.	Description
31	13261AY	* Rug Nozzle Rib Shoe
32	42242270	Main Body Assem. (Incl. 12,13,16,31)
33	38563011	Nozzle Height Adj. Cam
34	N/A	Lever (Use applicable Front Wheel Assembly - Item 40)
35	N/A	Wheel Shaft - AY (Use applicable Front Wheel Assembly - Item 40)
36	N/A	Wheel - AG (Use applicable Front Wheel Assembly - Item 40)
37	36131056	* Wheel Retainer
38	48414081	Agitator (P.221)
39	37245108	Bottom Plate - C1498, C1498-020, C1499-020
	37245017	Bottom Plate - C1499
40	43248059	Front Wheel Assem. (Incl. It. 34,35,36, 37) C1498, C1498-020, C1499-020 (after 11/2001)
	43248055	Front Wheel Assembly - (Inc. It. 35, 36, 37) C1499, C1499-020 (before 11/2001)
41	37252095	Hood Assembly - C1499, C1499-020 (before 11/2001)

ITEMS NOT ILLUSTRATED

21312787	* Washer - Rear Wheel (4)
56511353	Owner Manual
N/A	Carton
N/A	Front Support
N/A	Rear Support

**Motor - #43576141**



Ref. No.	Part No.	Description
	43576141	Motor Assm. Comp.
1	N/A	Screw-Self Tapping (4)
2	38736033	Fan Chamber - MW
3	38755030	Fan
4	N/A	Rivet - Semi Tubular (2)
5	N/A	Motor Housing Assm.
6	N/A	Motor Brush Holder (2)
7	N/A	Motor Brush Assm. (2)
8	N/A	Bearing
9	N/A	Bearing Retainer
10	36914004	Switch Bus Bar
11	39116005	+ Attachment Terminal

Ref. No.	Part No.	Description
12	28218043 28161062	Switch Switch - C1498, C1498-020, C1499, C1499-020
13	N/A	Armature/Bearing Assm.
14	37194046	Motor End Cap Assm.
15	N/A	Field Assm.
16	N/A	Washer
17	38783020	Duct Seal
18	41311016	Motor Brush Holder Assm.

ITEMS NOT ILLUSTRATED

38781013	+ Duct Seal
54821001	Tape (Roll)

**Agitator - #48414081**

Ref. No.	Part No.	Description
	48414081	Agitator Assm. Comp. - AG
1	36423016	Thread Guard - RH
2	43267002	Agitator Bearing Assm. (2)
3	21347003	* Conical Washer (2)
4	36422022	Agitator End (2)
5	48414048	+ Agitator Body
6	32724013	+ Agitator Shaft
7	36423017	Thread Guard - LH - AG

