

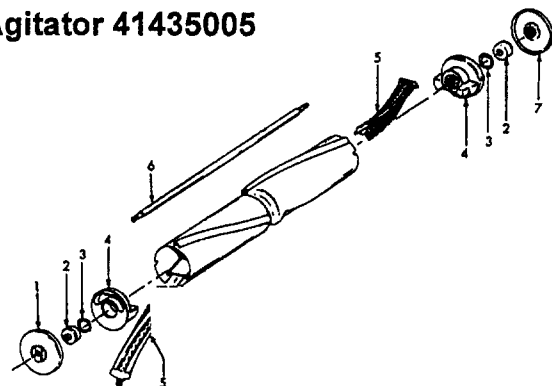
| Ref. No. | Part No. | Description                          |
|----------|----------|--------------------------------------|
| 1        | 38335009 | Support Spring                       |
| 2        | 43667041 | Cloth Bag - AG                       |
| 3        | 35173001 | Bag Expander - AG                    |
| 4        | 34112015 | Seal (2)                             |
| 5        | 41427013 | Dust Cup Support & Bellows           |
| 6        | 36155011 | Latch - AG (2)                       |
| 7        | 34123020 | Gasket                               |
| 8        | 38775001 | Dust Cup                             |
| 9        | 43675129 | Dust Cup Assm.                       |
| 10       | 51151034 | Indicator - AG                       |
| 11       | 38456044 | Nozzle Adj. Lever - AG               |
| 12       | 27479307 | * Cable Tie                          |
| 13       | 21481273 | * Screw - Self Tapping (2)           |
| 14       | 37954001 | Bail Cover Plate - AG                |
| 15       | 48969    | * Wire Nut (4)                       |
| 16       | 21354155 | * Lock Washer - Special              |
| 17       | 34223004 | Strain Relief Mounting Plate         |
| 18       | 23187363 | Screw - Self Tapping                 |
| 19       | 21631302 | Handle Bolt (2)                      |
| 20       | 35463011 | Handle Retainer Plate                |
| 21       | 39049    | Strain Relief Bushing                |
| 22       | 41416064 | Bail Assem. (Inc. 13,14,17,19,20,25) |
| 23       | 12560    | * Switch Nut                         |
| 24       | 48631134 | Lower Handle - AX                    |
| 25       | 32277008 | Handle Nut (2)                       |
| 26       | 13704    | * Lock Washer (2)                    |
| 27       | 48646091 | Handle Comp. - AX                    |
| 28       | 48643057 | Handle Upper Half - AX               |
| 29       | 23458AG  | Handle Grip                          |
| 30       | 46583152 | Attachment Cord - 35'- NM            |
| 31       | 34785017 | Cord Retaining Clamp - AX            |
| 32       | 36215021 | Cord Protector                       |
| 33       | 38424003 | Switch Pedal - PH                    |
| 34       | 24735022 | * Circlip                            |
| 35       | 41424011 | Bag Flange Assm.                     |
| 36       | 36425023 | Clamp                                |
| 37       | 38673001 | Bellows - AG                         |
| 38       | 35217006 | Mounting Bracket - AW                |
| 39       | 613802AY | * Shaft                              |
| 40       | 28212017 | Switch                               |
| 41       | 38426080 | Foot Pad - AG                        |
| 42       | 11735    | Roller Detent Assm.                  |
| 43       | 48409FW  | Spring                               |
| 44       | 19907    | Bag Flange Clamp Lever               |
| 45       | 13730    | * Lock Ring (4)                      |
| 46       | 46515007 | Bail Cord/Tubing Assm.               |
| 47       | 38456050 | Handle Control Lever                 |
| 48       | 47450AY  | Pivot Pin                            |
| 49       | 43263005 | Cam Follower                         |
| 50       | 41431013 | Wheel Shaft & Support Assm.          |
| 51       | 34252005 | * Yoke                               |
| 52       | 161513   | Spring                               |
| 53       | 21312806 | * Washer                             |
| 54       | 27479307 | * Lead Wire Tie                      |
| 55       | 41961009 | Indicator Guide                      |
| 56       | 35276006 | Indicator Guide Spring               |
| 57       | 41119009 | Retainer & Sleeving Assm.            |
| 58       | 21447211 | +* Screw - Self Tapping (4)          |
| 59       | 168278AY | +* Washer (4)                        |
| 60       | 12997AW  | * Rivet (2)                          |
| 61       | 21256094 | * Rivet                              |
| 62       | 39441016 | Cord Clip - AG                       |
| 63       | 48111008 | Indicator Lens                       |
| 64       | 42251236 | Hood Assm. - LX                      |
| 65       | 37246052 | Panel - AG                           |
| 66       | 52115181 | Hood Nameplate                       |

| Ref. No. | Part No. | Description                        |
|----------|----------|------------------------------------|
| 67       | 36231147 | Furniture Guard - AG               |
| 68       | 45533AY  | +* Screw                           |
| 69       | 14062    | * Lock Washer                      |
| 70       | 40309020 | Motor Assm. Comp.                  |
| 71       | 12559FW  | Spring                             |
| 72       | 17001FW  | * Screw - Self Tapping             |
| 73       | 34665007 | Pivot Pin Retainer                 |
| 74       | 34791AG  | Carrier Wheel (2)                  |
| 75       | 21312724 | * Washer (2)                       |
| 76       | 47457AY  | Wheel Shaft (2)                    |
| 77       | 48422    | * Rivet - Tubular (2)              |
| 78       | 42242225 | Main Body                          |
| 79       | 21312781 | * Washer (2)                       |
| 80       | 34784021 | Agitator Retaining Spring - AY (2) |
| 81       | 12503EF  | * Rivet - Semi Tubular             |
| 82       | 12138FW  | Bottom Plate Spring                |
| 83       | 41435005 | Agitator Assm. Comp. - He          |
| 84       | 44783AG  | Belt                               |
| 85       | 34111001 | * Support Pad (2)                  |
| 86       | 42246062 | Bottom Plate Assm.                 |
| 87       | 36153006 | Bottom Plate Latch (2)             |
| 88       | 21479229 | * Screw - Self Tapping (2)         |
| 89       | 21447020 | * Screw - Self Tapping (2)         |
| 90       | 21479347 | * Screw - Self Tapping (2)         |
| 91       | 35434040 | Axle/Bag Flange Support            |
| 92       | 38521019 | Rear Wheel - AG (2)                |
| 93       | 32182001 | * Wheel Retainer (2)               |
| 94       | 161509AY | Bail Shaft                         |
| 95       | 41128021 | Bag Clip & Spring                  |

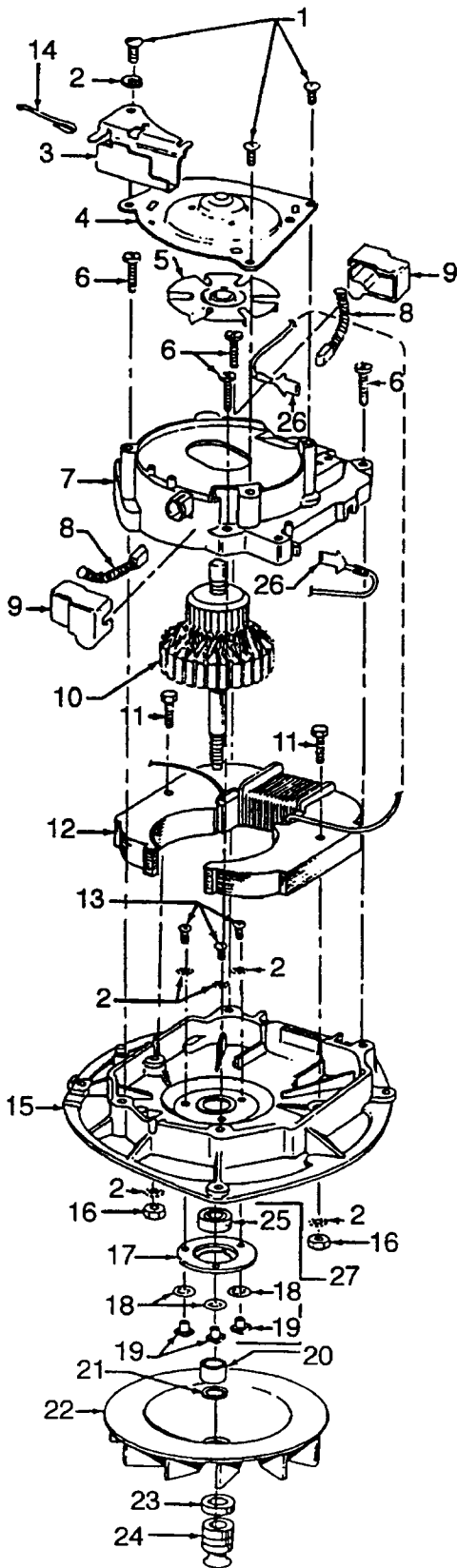
PACKAGING MATERIAL

|          |   |                              |
|----------|---|------------------------------|
| 58174074 | + | Cleaner Carton               |
| 58216006 |   | Dirt Cup Middle Pad          |
| 56711081 | + | Assm. Instruction Sheet      |
| 56711082 | + | Operation Instruction Folder |
| 58343025 |   | Front Support                |
| 58366012 |   | Rear Support                 |

Agitator 41435005



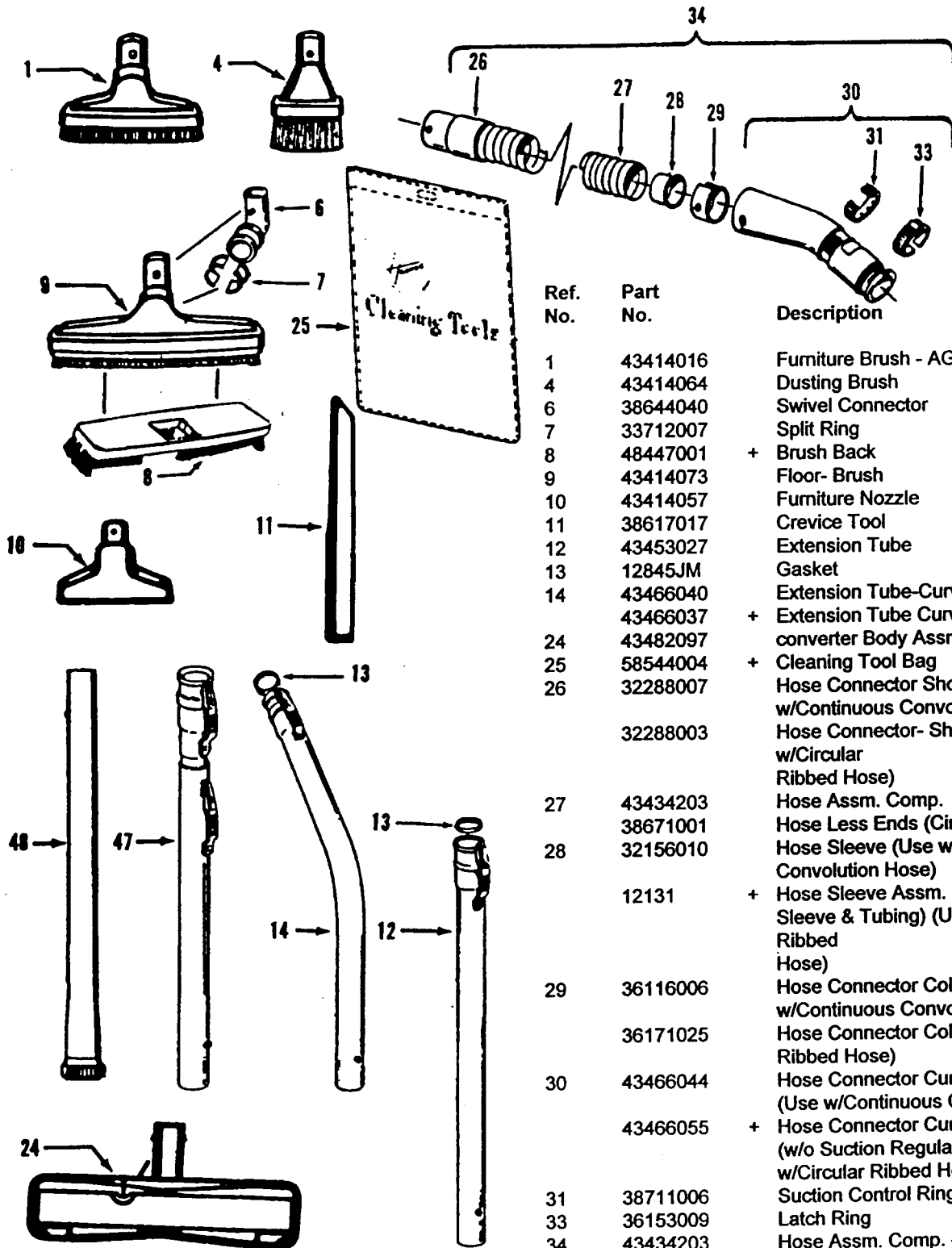
| Ref. No. | Part No. | Description       |
|----------|----------|-------------------|
| 1        | 49180    | Thread Guard - LH |
| 2        | 43267002 | Bearing           |
| 3        | 21347003 | * Washer          |
| 4        | 160542   | End               |
| 5        | 48445001 | Agitator Brush    |
| 6        | 32724008 | Shaft             |
| 7        | 12985AY  | Thread Guard - RH |



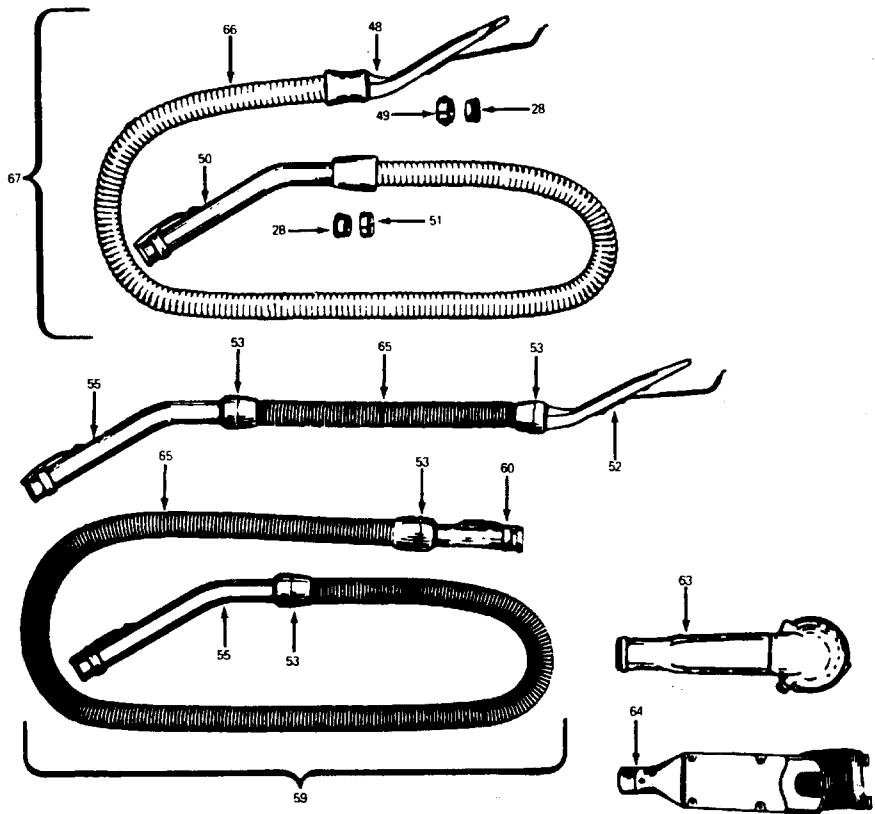
**Motor 40309020**  
**1 - Speed w/ Guide**

| Ref. No. | Part No. | Description                |
|----------|----------|----------------------------|
| 1        | 45533AY  | +* Screw                   |
| 2        | 14062    | * Washer                   |
| 3        | 41961009 | Indicator Guide            |
| 4        | 42934002 | Motor Casing Cap Assm.     |
| 5        | 38755005 | Vent Fan                   |
| 6        | 161535   | * Screw                    |
| 7        | 42195003 | Upper Motor Casing         |
| 8        | 47318012 | Carbon Brush               |
| 9        | 36315003 | Brush Insulator            |
| 10       | 44768049 | Armature                   |
| 11       | 45118    | * Bolt                     |
| 12       | 45412035 | Field Coil                 |
| 13       | 21772501 | * Screw                    |
| 14       | 35276006 | Indicator Guide Spring     |
| 15       | 42193006 | Lower Motor Case           |
| 16       | 15673    | * Nut                      |
| 17       | 32184003 | Retainer                   |
| 18       | 19772    | Washer                     |
| 19       | 45251    | Nut                        |
| 20       | 31731002 | Spacer                     |
| 21       | 166563   | * Washer                   |
| 22       | 38755011 | Fan                        |
| 23       | 31162004 | * Washer - Heat Insulating |
| 24       | 38532009 | Motor Pulley               |
| 25       | 24152807 | Bearing                    |
| 26       | 14320    | * Terminal                 |
| 27       | 43267006 | Bearing Kit                |

# Cleaning Tools



| Ref. No. | Part No. | Description   |
|----------|----------|---|
| 1        | 43414016 | Furniture Brush - AG  |
| 4        | 43414064 | Dusting Brush   |
| 6        | 38644040 | Swivel Connector  |
| 7        | 33712007 | Split Ring  |
| 8        | 48447001 | + Brush Back  |
| 9        | 43414073 | Floor- Brush  |
| 10       | 43414057 | Furniture Nozzle  |
| 11       | 38617017 | Crevice Tool  |
| 12       | 43453027 | Extension Tube  |
| 13       | 12845JM  | Gasket  |
| 14       | 43466040 | Extension Tube-Curved - 17  |
|          | 43466037 | + Extension Tube Curved - 22  |
| 24       | 43482097 | converter Body Assm.  |
| 25       | 58544004 | + Cleaning Tool Bag   |
| 26       | 32288007 | Hose Connector Short (Use w/Continuous Convolution Hose)                                  |
|          | 32288003 | Hose Connector- Short (Use w/Circular Ribbed Hose)  |
| 27       | 43434203 | Hose Assm. Comp.  |
|          | 38671001 | Hose Less Ends (Circular- Ribbed)   |
| 28       | 32156010 | Hose Sleeve (Use w/Continuous Convolution Hose)   |
|          | 12131    | + Hose Sleeve Assm. (Includes Hose Sleeve & Tubing) (Use w/Circular Ribbed Hose)          |
| 29       | 36116006 | Hose Connector Collar (Use w/Continuous Convolution Hose)                                 |
|          | 36171025 | Hose Connector Collar (Use w/Circular Ribbed Hose)  |
| 30       | 43466044 | Hose Connector Curved w/Rings AAP (Use w/Continuous Convolution Hose)                     |
|          | 43466055 | + Hose Connector Curved w/Latch Ring (w/o Suction Regulator) (Use w/Circular Ribbed Hose) |
| 31       | 38711006 | Suction Control Ring  |
| 33       | 36153009 | Latch Ring  |
| 34       | 43434203 | Hose Assm. Comp. - Front Conversion (Continuous Convolutions)(w/o Suction Regulator)      |
|          | 43434209 | Hose Assm. Comp. - Front Conversion Circular Ribbed w/o Suction Regulator                 |
| 47       | 43458001 | Extension Tube  |
| 48       | 3863801P | Extension Tube - Poly - AG  |



| Ref. No. | Part No. | Description   |
|----------|----------|---|
| 28       | 32156010 | Sleeve  |
| 48       | 13147JM  | + Converter   |
| 49       | 12615BZ  | Hose Converter Collar   |
| 50       | 43468018 | Hose Tube Curved  |
| 51       | 12704BZ  | Hose Grip Collar  |
| 52       | 23473JM  | + Converter   |
| 53       | 23393JM  | Hose Grip   |
| 55       | 13143    | Hose Tube Curved  |
| 59       | 22671JM  | + Hose Comp. - Ultraflex (Commercial)<br>(Use w/Converter 34202 or 35190) |
| 60       | 34355    | + Hose End Short  |
| 63       | 35190    | Converter (Use w/Hose 22671)  |

| Ref. No. | Part No. | Description  |
|----------|----------|--|
| 64       | 34202JM  | + Converter (Use w/Hose 22671)                         |
| 65       | 48617 JM | + Hose Less Ends                                       |
| 66       | 43434213 | Hose Less Ends   |
| 67       | 12864JM  | + Hose Assm. Comp.- Tufflex (Standard Rear Conversion) |

ITEMS NOT ILLUSTRATED

|          |                               |
|----------|-------------------------------|
| 169460JM | + Ultraflex Hose - 50' length |
| 43431011 | + Tufflex Hose - 50' length   |