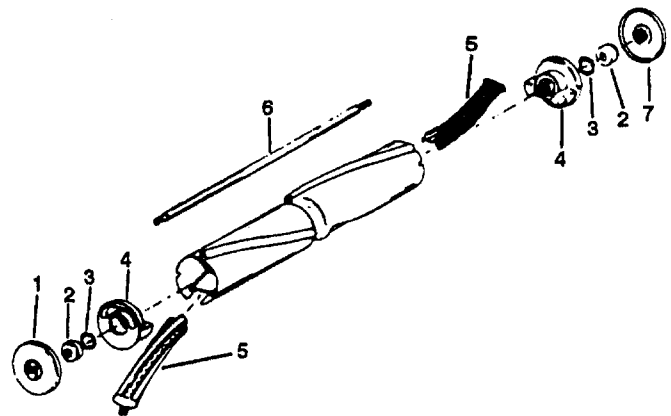


Ref. No.	Part No.	Description
1	43675123	Outer Bag Comp. - AAW/AG
2	41128007	Bag Clip & Spring
3	43674221	Cloth Bag - AAW/AG - Wide
4	21765159	* Screw
5	15854EF	* Nut
6	38657004	Top Fill Tube
7	48646093	Handle Comp. - LY
8	39454007	Handle Grip - MX
9	48646093	Handle Complete - AX
10	46583149	Attach. Cord - 35' - AAW
11	21631302	Handle Bolt (2)
12	13704	* Lock Washer (2)
13	32277008	Handle Nut (2)
14	34785018	+ Cord Retaining Clamp - LY
15	36215021	Cord Protector
16	48646093	Handle Complete - AX
17	24735022	* Circlip
18	38424003	Switch Pedal - PH
19	35217006	Mounting Bracket
20	613802AY	* Shaft
21	38426080	Foot Pad - AG
22	28212017	Switch
23	48969	* Wire Nut (4)
24	12560	* Switch Nut
25	41416064	Bail Assem. (Inc. 11,13,27,29,30,31)
26	39049	Strain Relief Bushing
27	35463011	Handle Retainer Plate
28	23187363	Screw - Self Tapping
29	21481273	* Screw - Self Tapping (2)
30	37954001	Bail Cover Plate - AG
31	34223004	Strain Relief Mounting Plate
32	27479307	* Cable Tie
33	38456044	Nozzle Adj. Lever - AG
34	21354155	* Lock Washer - Special
35	161509AY	Bail Shaft
36	13730	* Lock Ring (4)
37	51151034	Indicator - AG
38	11735	Roller Detent Assem.
39	19907	Bag Flange Clamp Lever
40	48409FW	Spring
41	46515007	Bail Cord/Tubing Assem.
42	34252005	* Yoke
43	161513	Spring
44	38456050	Handle Control Lever
45	47450AY	Pivot Pin
46	27479307	* Lead Wire Tie
47	41961009	Indicator Guide
48	35276006	Indicator Guide Spring
49	41119009	Retainer & Sleeving Assem.
50	21447211	+* Screw - Self Tapping (4)
51	168278AY	+* Washer (4)
52	12997AW	* Rivet (2)
53	36951004	Retainer (2)
54	21256134	* Rivet (2)
55	48111008	Indicator Lens
56	42252168	+ Hood Assem. - AAW
57	37246040	Panel - AAW
58	52115124	Hood Nameplate
59	36231031	Furniture Guard - LY
60	45533AY	+* Screw
61	14062	* Lock Washer
62	40309020	Motor Assem.
63	12559FW	Spring
64	17001FW	* Screw - Self Tapping
65	34665007	Pivot Pin Retainer
66	34791AG	Carrier Wheel (2)
67	21312724	* Washer (2)
68	47457AY	Wheel Shaft (2)

69	48422	* Rivet - Tubular (2)
70	42242219	Main Body - AG
71	21312781	Washer (2)
72	34784021	Agitator Retaining Spring - AY (2)
73	12503EF	* Rivet - Semi Tubular
74	12138FW	Bottom Plate Spring
75	41435005	Agitator Assem. Comp. - HE
76	44783AG	Belt
77	34111001	* Support Pad (2)
78	42246062	Bottom Plate Assem.
79	36153006	Bottom Plate Latch (2)
80	21447003	* Screw - Self Tapping (2)
81	21447020	* Screw - Self Tapping (2)
82	21479347	* Screw - Self Tapping (2)
83	35434040	Axle/Bag Flange Retainer
84	21312806	* Washer
85	41431013	Wheel Shaft & Support Assem.
86	43263003	Cam Follower
87	38521019	Rear Wheel - AG (2)
88	32182001	* Wheel Retainer (2)
89	21256094	* Rivet
90	39441016	Cord Clip - AG
91	41424011	Bag Flange & Gasket
92	38673009	Bellows
93	38336019	Support Spring

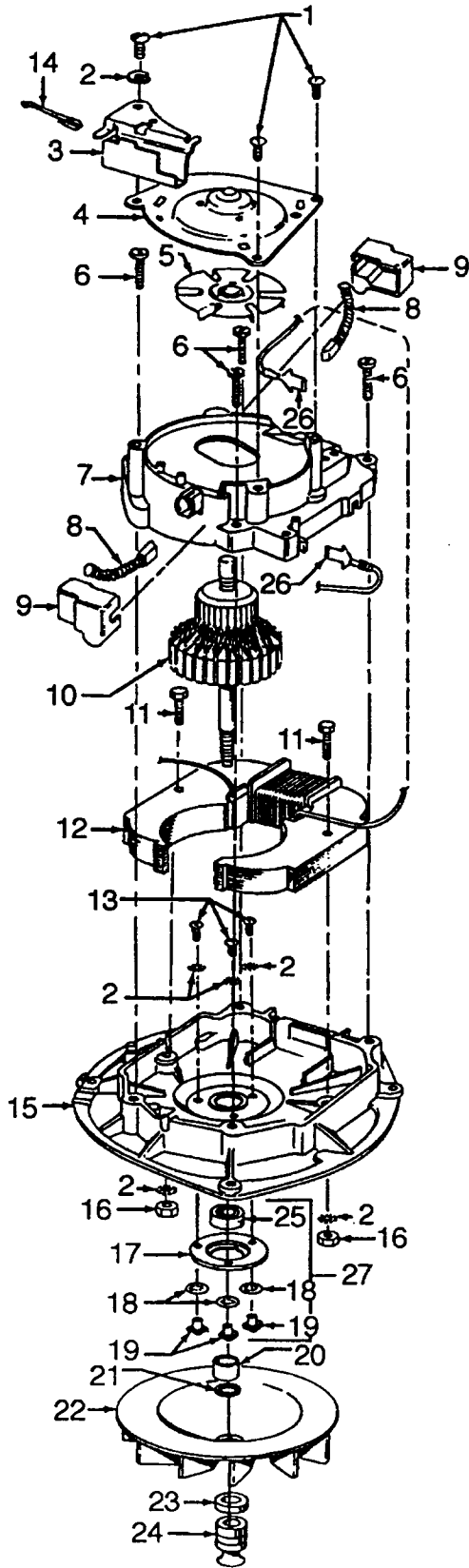
ITEMS NOT ILLUSTRATED

43667034	Cloth Reusable "A" Bag
PACKAGING MATERIAL	
58173378	+ Cleaner Carton
58343025	Front Support
58366012	Rear Support
56711079	+ Assm. Instruction Sheet
56711080	+ Operation Instruction Folder



Agitator 41435005

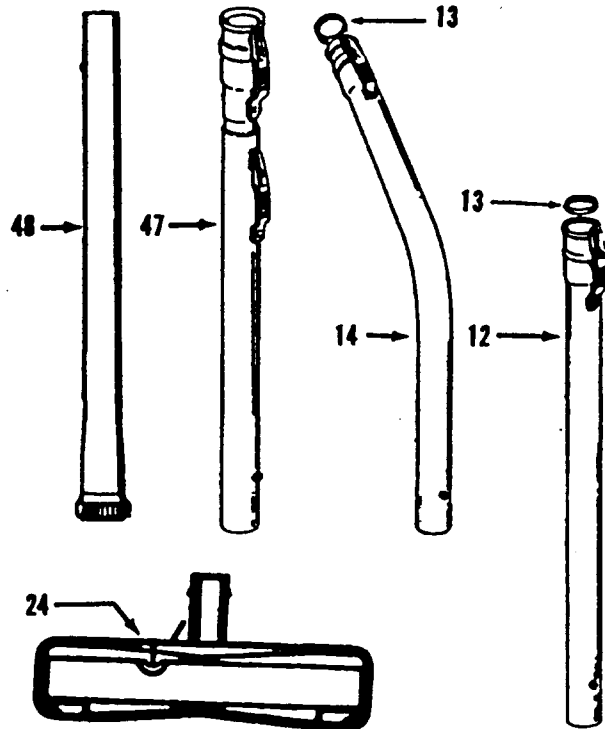
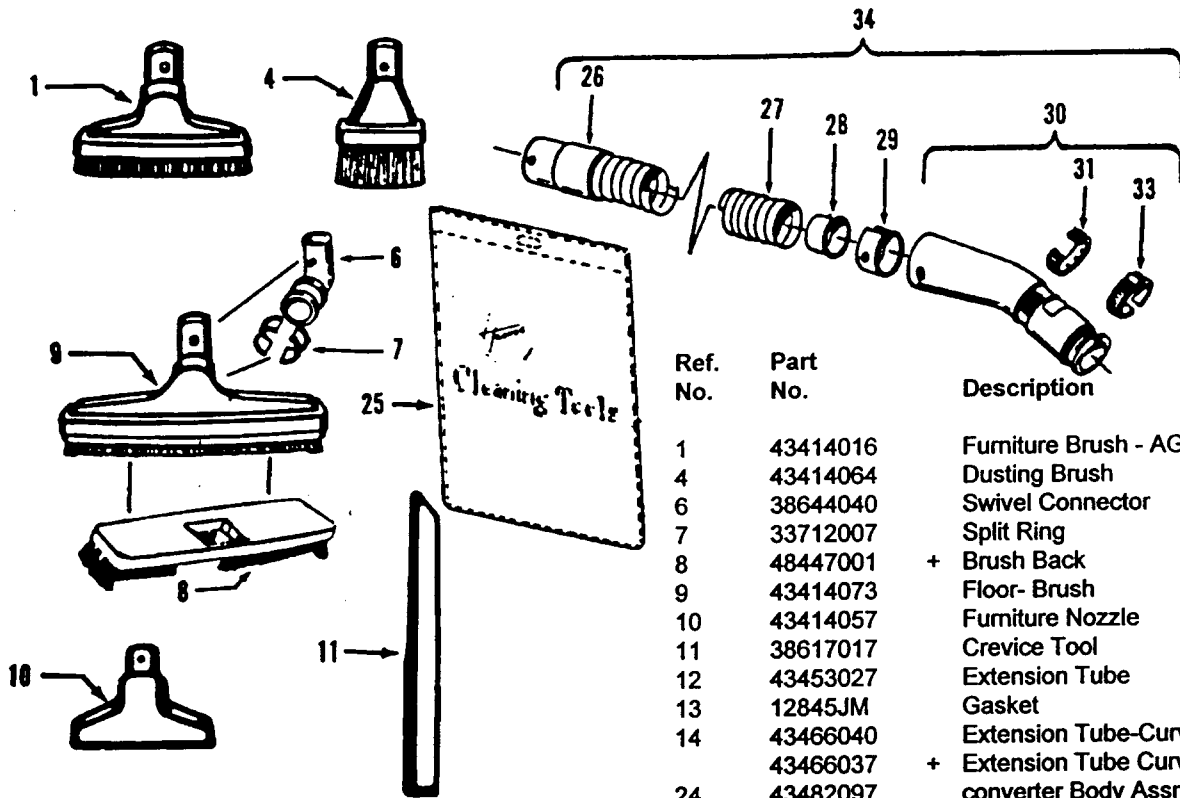
Ref. No.	Part No.	Description
1	49180	Thread Guard - LH
2	43267002	Bearing
3	21347003	* Washer
4	160542	End
5	48445001	Agitator Brush
6	32724008	Shaft
7	12985AY	Thread Guard - RH



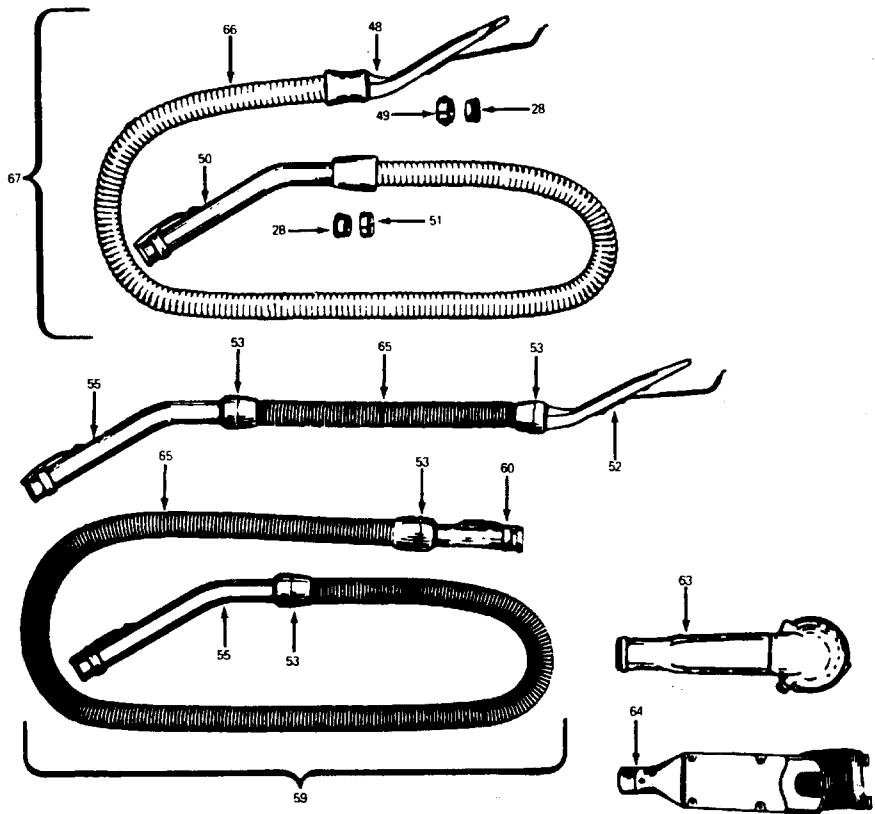
Motor 40309020
I-Speed w/o Guide

Ref. No.	Part No.	Description
1	45533AY	+* Screw
2	14062	* Washer
3	41961009	Indicator Guide
4	42934002	Motor Casing Cap Assm.
5	38755005	Vent Fan
6	161535	* Screw
7	42195003	Upper Motor Casing
8	47318012	Carbon Brush
9	36315003	Brush Insulator
10	44768043	Armature
11	45118	* Bolt
12	45412015	Field Coil
13	21772501	* Screw
14	35276006	Indicator Guide Spring
15	42193006	Lower Motor Case
16	15673	* Nut
17	32184003	Retainer
18	19772	* Washer
19	45251	Nut
20	31731002	Spacer
21	166563	* Washer
22	38755011	Fan - Poly
23	31162004	* Washer - Heat Insulating
24	38532009	Motor Pulley
25	24152807	Bearing
26	14320	* Terminal
27	43267006	Bearing Kit

Cleaning Tools



Ref. No.	Part No.	Description
1	43414016	Furniture Brush - AG
4	43414064	Dusting Brush
6	38644040	Swivel Connector
7	33712007	Split Ring
8	48447001	+ Brush Back
9	43414073	Floor- Brush
10	43414057	Furniture Nozzle
11	38617017	Crevice Tool
12	43453027	Extension Tube
13	12845JM	Gasket
14	43466040	Extension Tube-Curved - 17
	43466037	+ Extension Tube Curved - 22
24	43482097	converter Body Assm.
25	58544004	+ Cleaning Tool Bag
26	32288007	Hose Connector Short (Use w/Continuous Convolution Hose)
	32288003	Hose Connector- Short (Use w/Circular Ribbed Hose)
27	43434203	Hose Assm. Comp.
	38671001	Hose Less Ends (Circular- Ribbed)
28	32156010	Hose Sleeve (Use w/Continuous Convolution Hose)
	12131	+ Hose Sleeve Assm. (Includes Hose Sleeve & Tubing) (Use w/Circular Ribbed Hose)
29	36116006	Hose Connector Collar (Use w/Continuous Convolution Hose)
	36171025	Hose Connector Collar (Use w/Circular Ribbed Hose)
30	43466044	Hose Connector Curved w/Rings AAP (Use w/Continuous Convolution Hose)
	43466055	+ Hose Connector Curved w/Latch Ring (w/o Suction Regulator) (Use w/Circular Ribbed Hose)
31	38711006	Suction Control Ring
33	36153009	Latch Ring
34	43434203	Hose Assm. Comp. - Front Conversion (Continuous Convolutions)(w/o Suction Regulator)
	43434209	Hose Assm. Comp. - Front Conversion Circular Ribbed w/o Suction Regulator
47	43458001	Extension Tube
48	3863801P	Extension Tube - Poly - AG



Ref. No.	Part No.	Description
28	32156010	Sleeve
48	13147JM	+ Converter
49	12615BZ	Hose Converter Collar
50	43468018	Hose Tube Curved
51	12704BZ	Hose Grip Collar
52	23473JM	+ Converter
53	23393JM	Hose Grip
55	13143	Hose Tube Curved
59	22671JM	+ Hose Comp. - Ultraflex (Commercial) (Use w/Converter 34202 or 35190)
60	34355	+ Hose End Short
63	35190	Converter (Use w/Hose 22671)

Ref. No.	Part No.	Description
64	34202JM	+ Converter (Use w/Hose 22671)
65	48617 JM	+ Hose Less Ends
66	43434213	Hose Less Ends
67	12864JM	+ Hose Assm. Comp.- Tufflex (Standard Rear Conversion)

ITEMS NOT ILLUSTRATED

169460JM	+ Ultraflex Hose - 50' length
43431011	+ Tufflex Hose - 50' length