

Ref. No.	Part No.	Description
1	43675131	+ Outer Bag Comp. - MW/AG
2	41128007	Bag Clip & Spring
3	43674221	Cloth Bag - AG - Wide
4	48646074	Handle Comp. - LY
5	48643043	+ Upper Handle - LY
6	32277008	Handle Nut (2)
7	13704	* Lock Washer (2)
8	46583148	Attach. Cord - 50'- MW
9	21631302	Handle Bolt (2)
10	34785018	+ Cord Retaining Clamp - LY
11	36215021	Cord Protector
12	48646093	Lower Handle- AX
13	35217006	Mounting Bracket
14	38424003	Switch Pedal - PH
15	24735022	* Circlip
16	41416064	Bail Assem. (Inc. 6, 9, 19, 22, 21, 23)
17	12560	* Switch Nut
18	39049	Strain Relief Bushing
19	35463011	Handle Retainer Plate
20	23187363	Screw - Self Tapping
21	34223004	Strain Relief Mounting Plate
22	37954001	Bail Cover Plate -AG
23	21481273	* Screw - Self Tapping (2)
24	21354155	* Lock Washer - Special
25	27479307	* Cable Tie
26	48969	* Wire Nut (4)
27	38452051	Nozzle Adj. Lever - AG
28	13730	* Lock Ring (4)
29	161509AY	Bail Shaft
30	46515007	Bail Cord/Tubing Assem.
31	11735	Roller Detent Assem.
32	19907	Bag Flange Clamp Lever
33	48409FW	Spring
34	34252005	* Yoke
35	28212017	Switch
36	613802AY	* Shaft
37	47450AY	Pivot Pin
38	12559FW	Spring
39	32242004	* Rivet (6)
40	38456050	Handle Control Lever
41	38426080	Foot Pad - AG
42	21447211	+* Screw-Self Tapping (4)
43	27479307	* Lead Wire Tie
44	41119009	Retainer & Sleeving Assem.

**Agitator #41435005**

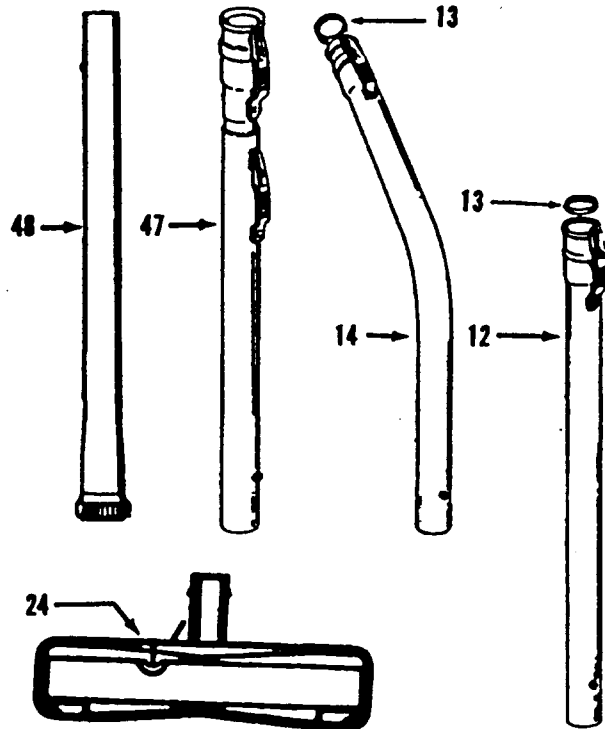
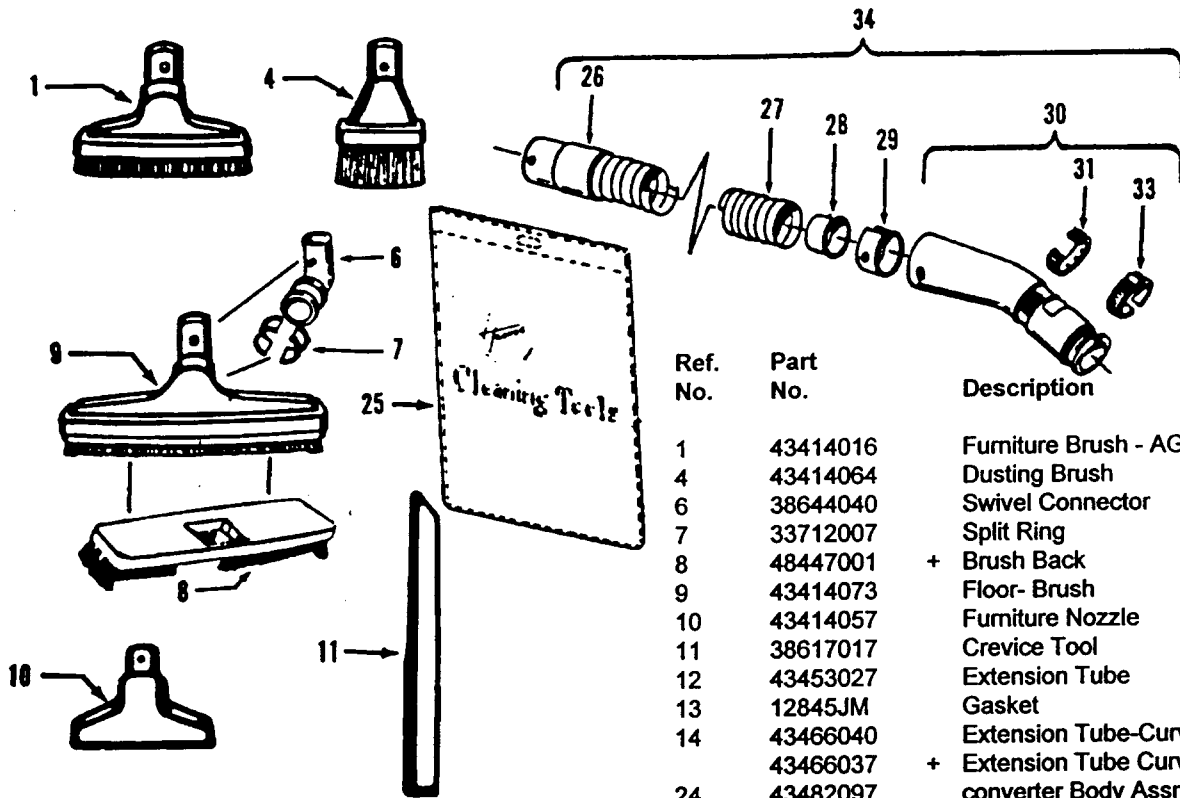
Ref. No.	Part No.	Description
1	49180	Thread Guard - LH
2	43267002	Bearing
3	21347003	* Washer
4	160542	End
5	48445001	Agitator Brush
6	32724008	Shaft
7	12985AY	Thread Guard - RH

Ref. No.	Part No.	Description
45	42251325	Hood - AAW
46	43574193	Motor Assem.
47	36231036	Furniture Guard - LY
48	161513	Spring
49	17001FW	Screw- Self Tapping
50	34665007	Pivot Pin Retainer
51	48422	* Rivet - Tubular (2)
52	42242253	Main Body - JM
53	34784021	Agitator Retaining Spring -AY (2)
54	21312781	Washer (2)
55	12503EF	* Rivet-Semi-Tubular
56	12138FW	Bottom Plate Spring
57	47457AY	Wheel Shaft (2)
58	21312724	* Washer (2)
59	34791AG	Carrier Wheel (2)
60	41435005	Agitator Assem. Comp. - HE
61	44783AG	Belt
62	42246062	Bottom Plate (Metal)
63	34111001	* Support Pad (2)
64	36153006	Bottom Plate Latch (2)
65	21447003	* Screw - Self Tapping (2)
66	21447020	* Screw - Self Tapping (2)
67	21479347	* Screw - Self Tapping (2)
68	35434040	Axle/Bag Flange Retainer
69	32182001	* Wheel Retainer (2)
70	38521019	Rear Wheel - AG (2)
71	21312806	* Washer
72	41431013	Wheel Shaft & Support Assem.
73	43263003	Cam Follower
74	21256094	* Rivet
75	39441016	Cord Clip - AG
76	38336019	Support Spring
77	15854EF	* Nut
78	21765159	* Screw
79	41424011	Bag Flange & Gasket

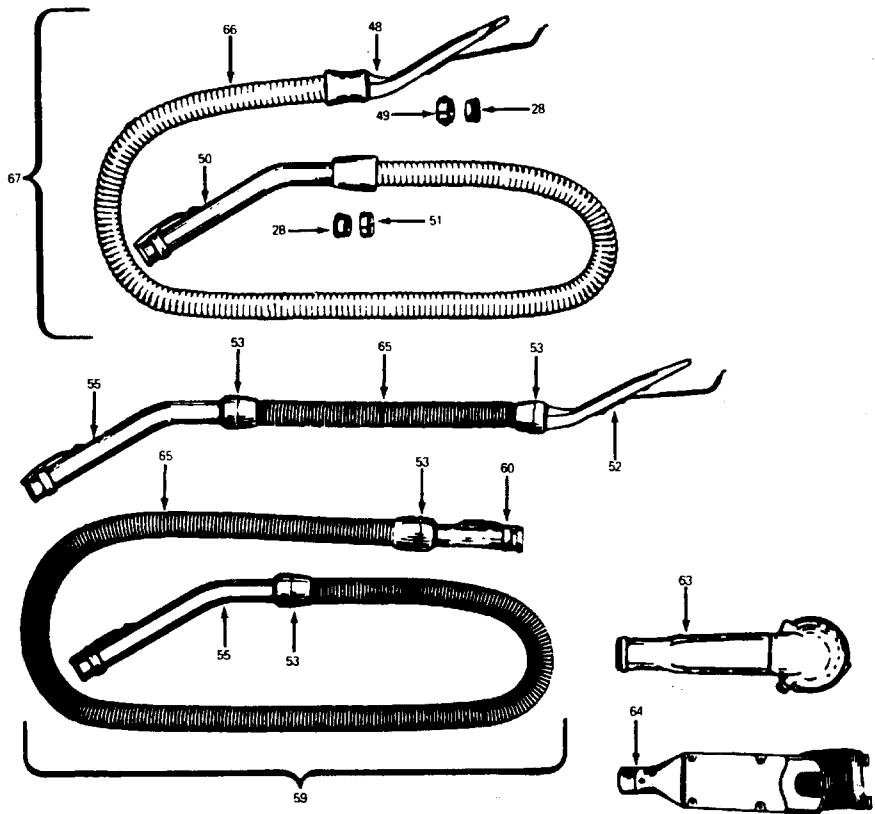
**PACKAGING MATERIAL**

58343025	Front Support
58366012	Rear Support
56711077	+ Assem. Instruction Sheet

# Cleaning Tools



Ref. No.	Part No.	Description
1	43414016	Furniture Brush - AG
4	43414064	Dusting Brush
6	38644040	Swivel Connector
7	33712007	Split Ring
8	48447001	+ Brush Back
9	43414073	Floor- Brush
10	43414057	Furniture Nozzle
11	38617017	Crevice Tool
12	43453027	Extension Tube
13	12845JM	Gasket
14	43466040	Extension Tube-Curved - 17
	43466037	+ Extension Tube Curved - 22
24	43482097	converter Body Assm.
25	58544004	+ Cleaning Tool Bag
26	32288007	Hose Connector Short (Use w/Continuous Convolution Hose)
	32288003	Hose Connector- Short (Use w/Circular Ribbed Hose)
27	43434203	Hose Assm. Comp.
	38671001	Hose Less Ends (Circular- Ribbed)
28	32156010	Hose Sleeve (Use w/Continuous Convolution Hose)
	12131	+ Hose Sleeve Assm. (Includes Hose Sleeve & Tubing) (Use w/Circular Ribbed Hose)
29	36116006	Hose Connector Collar (Use w/Continuous Convolution Hose)
	36171025	Hose Connector Collar (Use w/Circular Ribbed Hose)
30	43466044	Hose Connector Curved w/Rings AAP (Use w/Continuous Convolution Hose)
	43466055	+ Hose Connector Curved w/Latch Ring (w/o Suction Regulator) (Use w/Circular Ribbed Hose)
31	38711006	Suction Control Ring
33	36153009	Latch Ring
34	43434203	Hose Assm. Comp. - Front Conversion (Continuous Convolutions)(w/o Suction Regulator)
	43434209	Hose Assm. Comp. - Front Conversion Circular Ribbed w/o Suction Regulator
47	43458001	Extension Tube
48	3863801P	Extension Tube - Poly - AG



Ref. No.	Part No.	Description
28	32156010	Sleeve
48	13147JM	+ Converter
49	12615BZ	Hose Converter Collar
50	43468018	Hose Tube Curved
51	12704BZ	Hose Grip Collar
52	23473JM	+ Converter
53	23393JM	Hose Grip
55	13143	Hose Tube Curved
59	22671JM	+ Hose Comp. - Ultraflex (Commercial) (Use w/Converter 34202 or 35190)
60	34355	+ Hose End Short
63	35190	Converter (Use w/Hose 22671)

Ref. No.	Part No.	Description
64	34202JM	+ Converter (Use w/Hose 22671)
65	48617 JM	+ Hose Less Ends
66	43434213	Hose Less Ends
67	12864JM	+ Hose Assm. Comp.- Tufflex (Standard Rear Conversion)

ITEMS NOT ILLUSTRATED

169460JM	+ Ultraflex Hose - 50' length
43431011	+ Tufflex Hose - 50' length