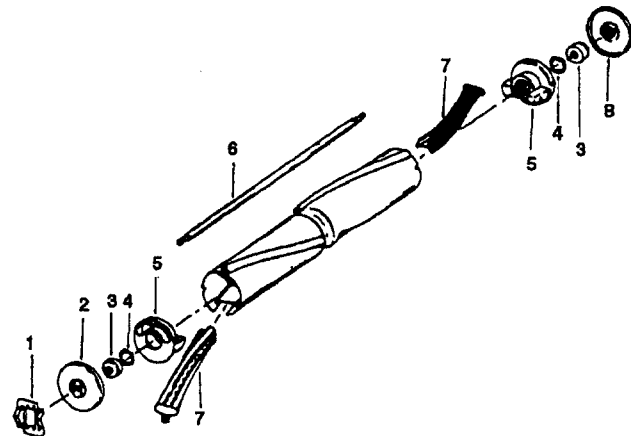


Ref. No.	Part No.	Description	Ref. No.	Part No.	Description
1	46383249	Attach. Cord - AG - 35'	54	21312772	* Washer
2	21465314	* Screw	55	48111008	Indicator Lens
3	38421012	Switch Button - AG	56	43263003	Cam Follower
4	37258110	Switch Cover - AG	57	33152003	Rear Wheel Shaft
	27479307	* Wire Tie	58	34252005	* Yoke
5	23458LY	Handle Grip	59	161513	Spring
6	281770KD	Switch	60	42251324	Hood
7	27666702	* Terminal	61	15738EF	+* Screw
8	37214070	Switch Case	62	43574192	Motor - 1 Spd. (P - 22)
9	48969	* Wire Nut	63	21447211	+* Screw
10	34253010	* Retainer	64	34287012	Baffle
11	36216002	Cord Protector	65	34312011	* Retainer
12	39441016	Cord Clip - AG	66	52115013	+ Nameplate
13	21256094	* Rivet	67	12997AW	* Rivet
14	48644040	+ Upper Handle - LY	68	37246055	+ Panel
15	32277021	Handle Nut	69	21447020	* Screw
16	21631301	Handle Bolt	70	34665007	Retainer
17	13704	* Washer (Metal)	71	12559FW	Spring
	31323001	Washer (Plastic)	72	35434040	Axle/Flange Retainer
18	36913007	Insulator	73	17001FW	* Screw
19	47155005	Connector Cord	74	47457AY	Wheel Shaft
20	46321033	Connector Cord	76	34791AG	Carrier Wheel
21	32284018	Lower Handle - AX	77	13730	* Lock Ring
22	38335009	Support Spring	78	48422	* Rivet (Use 2 w/47260; Use 1 w/21312781)
23	41424025	Bag Clip & Spring - LY	79	21312781	Support Washer
24	43674221	Cloth Bag - AG	81	36153006	Bottom Plate Latch
25	21765159	* Screw	82	21447203	* Screw
26	15854EF	* Nut	83	42242225	Main Casting - Plastic
27	21479347	* Screw	84	34784021	Retainer Spring
28	41424011	Bag Flange & Gasket	86	12503EF	* Rivet (Use w/Metal Bottom Plate)
29	38426080	Foot Pad - AG	87	12138FW	Bottom Plate Spring (Use w/Metal Bottom Plate)
30	168278AY	+* Washer	88	41435005	Agitator - 2B
34	21481752	* Screw	89	44783AG	Belt
36	34192	Bail Grip	90	34111001	* Support Pad (Use w/Metal Bottom Plate)
37	35463011	Handle Plate	91	42246062	Bottom Plate (Metal)
38	31728022	Tubing - AG		37245081	Bottom Plate - AG
39	41416038	+ Bail - AG	93	168497JM	+ Furniture Guard
40	43137047	Hdl. Control Lever - AG	94	48644110	Handle Comp. - LY
42	13730	* Lock Ring	95	43675187	Outer Bag Comp. - AAW/AG
43	161509AY	Bail Shaft		56711028	+ Instruction Book
44	38456044	Adj. Lever - AG - Plastic			
45	161507	+ Washer			
46	19907	Bag Flange Lever			
47	48409FW	Spring			
48	11735	Roller Detent			
49	47450AY	Pivot Pin			
51	51151034	Indicator			
52	32182001	* Retainer			
53	38521041	Rear Wheel - AG			

**Agitator 41435005**

Ref. No.	Part No.	Description
1	35366	Thrust Spring
2	48495	AY Thread Guard - LH
3	43267002	Bearing
4	21347003	Washer
5	160542	End Shaft
6	32724008	Agitator Brush
7	48445001	Agitator Brush
8	12985	Thread Guard - RH



**Motor**

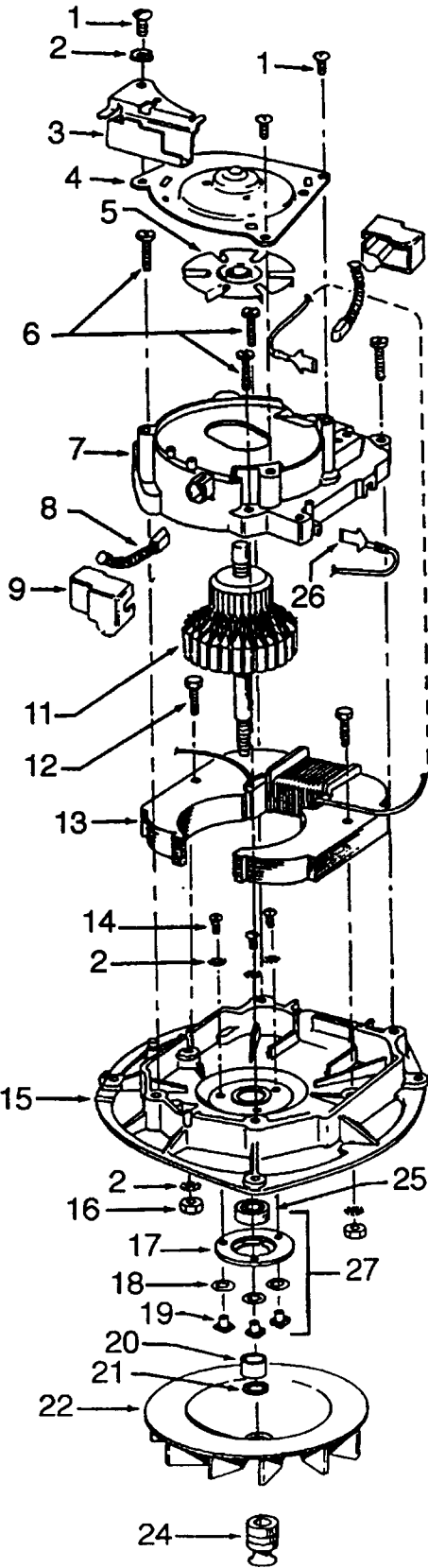
**Models C1065, C1067, C1069, C1085, C1401  
C1405, C1425, C1429, U7021, U7063, U7077, U7079**

**Motor #43574192**

**1-Speed w/ Guide**

**Motor #43574193**

**1-Speed w/o Guide**

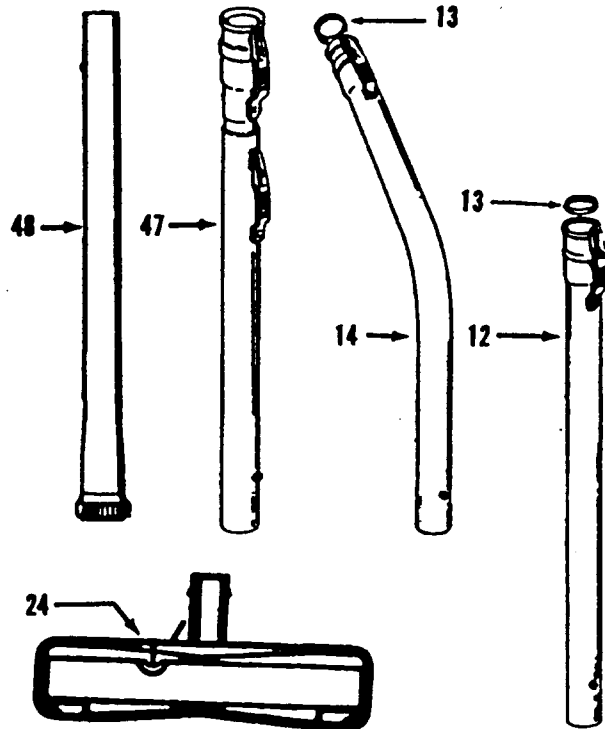
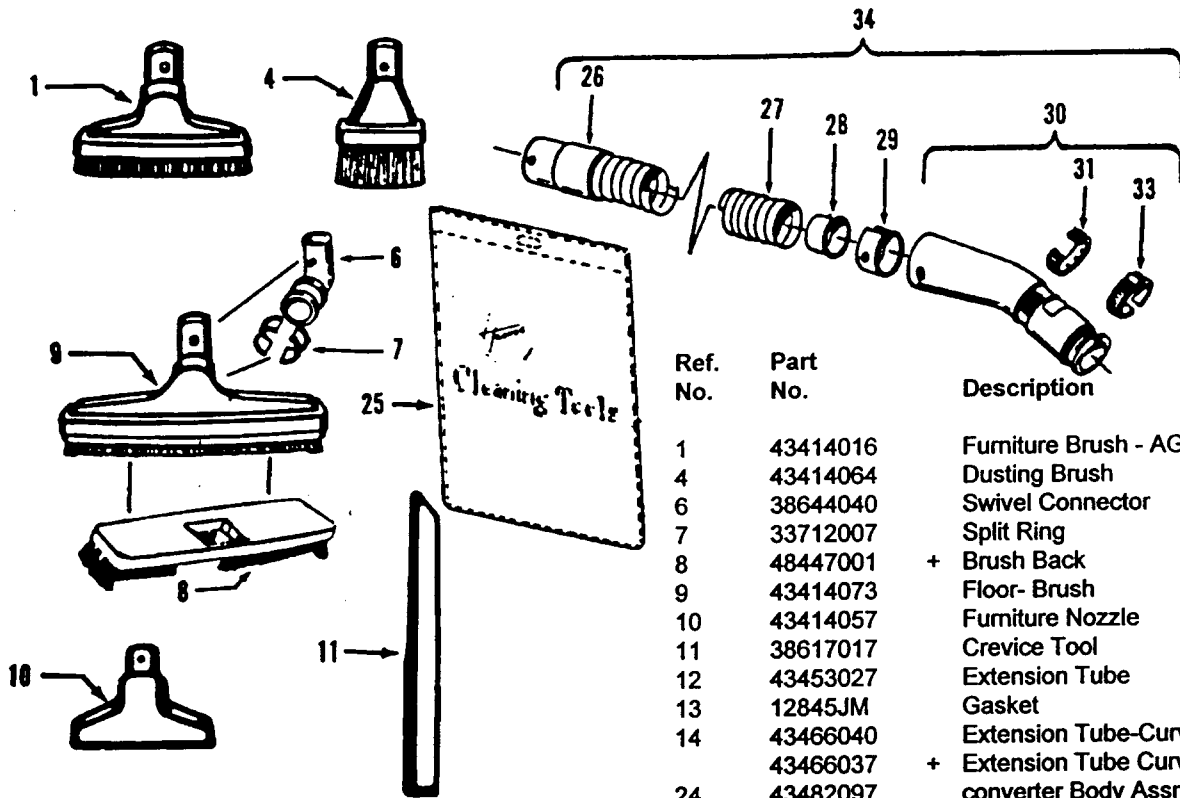


Ref. No.	Part No.	Description
1	45533AY	* Screw
2	14062	* Washer
3	41961009	Indicator Guide
4	42934002	Upper Bearing
5	38755004	Vent Fan
6	161535	* Screw
7	19857	+ Upper Motor Casing
8	47318012	Carbon Brush
9	36315003	Brush Insulator
11	44768051	Armature
12	45118	* Bolt
13	45412015	Field Coil
14	21772501	* Screw
15	42193006	Lower Motor Case
16	15673	* Nut
17	32184003	Retainer
18	19772	* Washer
19	45251	Nut
20	31731002	Spacer
21	166563	* Washer
22	38755011	Fan - Poly
24	43251003	Motor Pulley
25	24152807	Bearing
26	14320	* Terminal
27	43267006	Bearing Kit

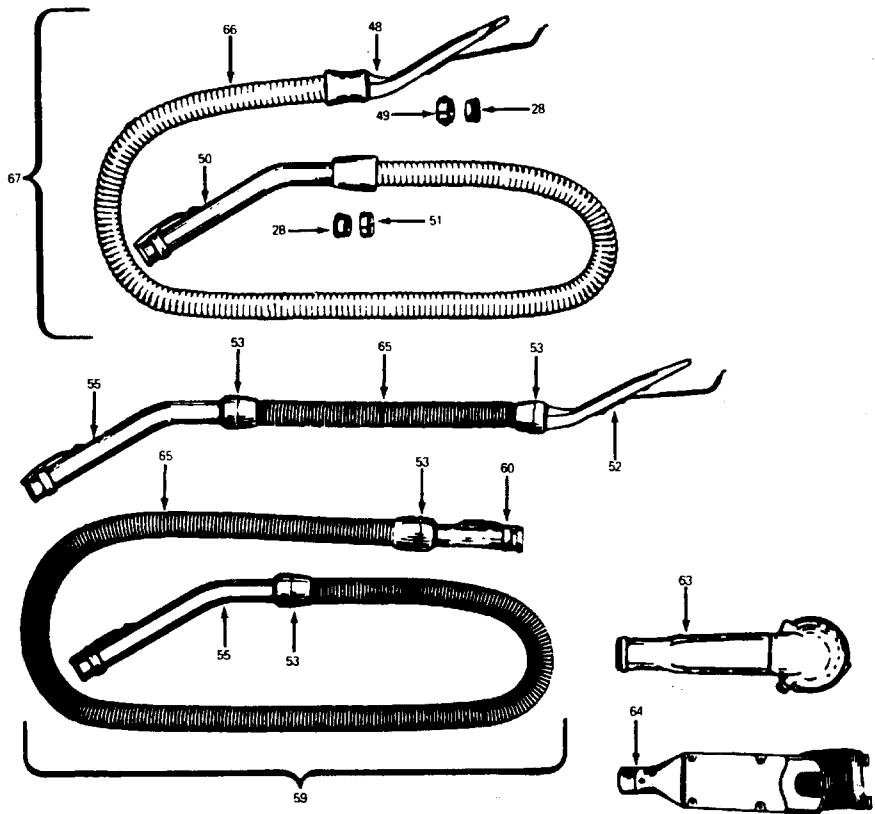
**ITEMS NOT ILLUSTRATED**

35276006	Indicator Guide Spring
----------	------------------------

# Cleaning Tools



Ref. No.	Part No.	Description
1	43414016	Furniture Brush - AG
4	43414064	Dusting Brush
6	38644040	Swivel Connector
7	33712007	Split Ring
8	48447001	+ Brush Back
9	43414073	Floor- Brush
10	43414057	Furniture Nozzle
11	38617017	Crevice Tool
12	43453027	Extension Tube
13	12845JM	Gasket
14	43466040	Extension Tube-Curved - 17
	43466037	+ Extension Tube Curved - 22
24	43482097	converter Body Assm.
25	58544004	+ Cleaning Tool Bag
26	32288007	Hose Connector Short (Use w/Continuous Convolution Hose)
	32288003	Hose Connector- Short (Use w/Circular Ribbed Hose)
27	43434203	Hose Assm. Comp.
	38671001	Hose Less Ends (Circular- Ribbed)
28	32156010	Hose Sleeve (Use w/Continuous Convolution Hose)
	12131	+ Hose Sleeve Assm. (Includes Hose Sleeve & Tubing) (Use w/Circular Ribbed Hose)
29	36116006	Hose Connector Collar (Use w/Continuous Convolution Hose)
	36171025	Hose Connector Collar (Use w/Circular Ribbed Hose)
30	43466044	Hose Connector Curved w/Rings AAP (Use w/Continuous Convolution Hose)
	43466055	+ Hose Connector Curved w/Latch Ring (w/o Suction Regulator) (Use w/Circular Ribbed Hose)
31	38711006	Suction Control Ring
33	36153009	Latch Ring
34	43434203	Hose Assm. Comp. - Front Conversion (Continuous Convolutions)(w/o Suction Regulator)
	43434209	Hose Assm. Comp. - Front Conversion Circular Ribbed w/o Suction Regulator
47	43458001	Extension Tube
48	3863801P	Extension Tube - Poly - AG



Ref. No.	Part No.	Description
28	32156010	Sleeve
48	13147JM	+ Converter
49	12615BZ	Hose Converter Collar
50	43468018	Hose Tube Curved
51	12704BZ	Hose Grip Collar
52	23473JM	+ Converter
53	23393JM	Hose Grip
55	13143	Hose Tube Curved
59	22671JM	+ Hose Comp. - Ultraflex (Commercial) (Use w/Converter 34202 or 35190)
60	34355	+ Hose End Short
63	35190	Converter (Use w/Hose 22671)

Ref. No.	Part No.	Description
64	34202JM	+ Converter (Use w/Hose 22671)
65	48617 JM	+ Hose Less Ends
66	43434213	Hose Less Ends
67	12864JM	+ Hose Assm. Comp.- Tufflex (Standard Rear Conversion)

ITEMS NOT ILLUSTRATED

169460JM	+ Ultraflex Hose - 50' length
43431011	+ Tufflex Hose - 50' length