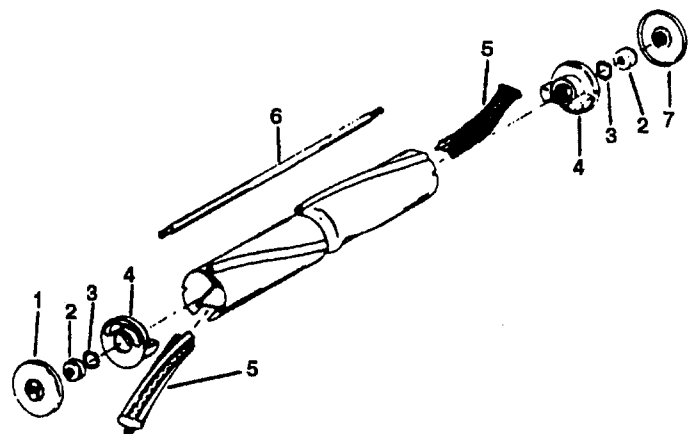


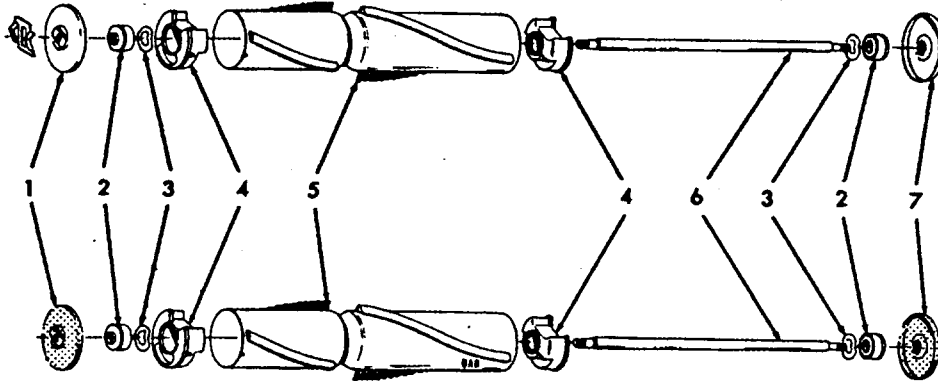
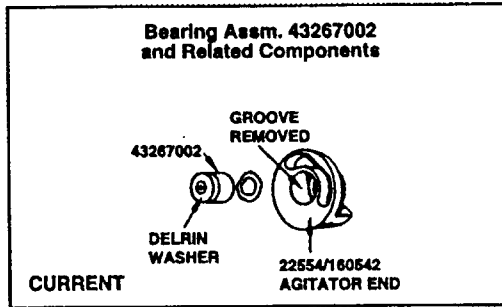
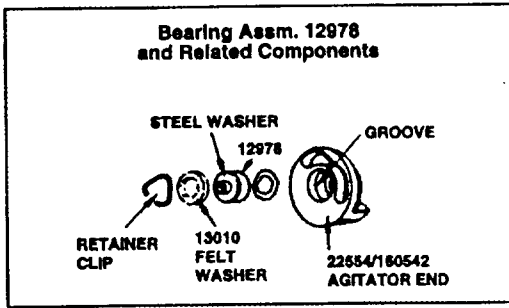
Ref. No.	Part No.	Description
1	46323122	Attach. Cord - HP - 50
2	21465314	* Screw
3	38421012	Switch Button - AG
4	37258110	Switch Cover - AG
	27479307	* Wire Tie
6	281770KD	Switch
7	27666702	* Terminal
8	37214070	Switch Case
9	48969	* Wire Nut
10	34253010	* Retainer
11	36216002	Cord Protector
12	39441016	Cord Clip - AG
13	21256094	* Rivet
14	48643020	+ Upper Handle - LY
15	32277021	Handle Nut
16	21631301	Handle Bolt
17	13704	* Washer (Metal)
	31323001	Washer (Plastic)
18	36913007	Insulator
19	47155005	Connector Cord
20	46321033	Connector Cord
21	32284018	Lower Handle - AX
22	38335009	Support Spring
23	41424025	Bag Clip & Spring - LY
	41128007	Bag Clip & Spring
24	43674221	Cloth Bag - AG
	43674096	+ Cloth Bag - JX/EE - Wide
25	21765159	* Screw
26	15854EF	* Nut
28	41424011	Bag Flange & Gasket
29	38426080	Foot Pad - AG
34	21481752	* Screw
36	34192	Bail Grip
37	35463011	Handle Plate
38	31728022	Tubing - AG
39	41416038	+ Bail - AG
40	43137047	Handle. Control Lever - AG
42	13730	* Lock Ring
43	161509AY	Bail Shaft
44	38452051	Adj. Lever - Plastic
45	21312724	* Washer
46	19907	Bag Flange Lever
47	48409FW	Spring
48	11735	Roller Detent
49	47450AY	Pivot Pin
52	32182001	* Lock Ring

Ref. No.	Part No.	Description
53	38521041	Rear Wheel
54	21312772	* Washer
55	21479347	* Screw
56	43263003	Cam Follower
57	33152003	Rear Wheel Shaft
58	34252005	* Yoke
59	161513	Spring
60	167364JM	+ Hood
61	15738EF	*+ Screw
62	43574193	Motor
63	21447211	*+ Screw
64	35437010	Baffle
65	34312011	* Retainer
67	32242004	* Rivet
69	21447020	* Screw
70	34665007	Retainer
71	12559FW	Spring
72	35434040	Axle/Flange Retainer
73	17001FW	* Screw
74	47457AY	Wheel Shaft
76	34791AG	Carrier Wheel
77	13730	* Lock Ring
78	48422	* Rivet
79	21312781	* Washer
80	36153006	Bottom Plate Latch
81	36153006	Bottom Plate Latch
82	21479229	* Screw
83	42242213	Main Casting - JM - Plastic
84	34784021	Retainer Spring
86	12503EF	* Rivet (Use w/Metal Bottom Plate)
87	12138FW	Bottom Plate Spring (Use w/Metal Bottom Plate)
88	41435005	Agitator
89	44783AG	Belt
90	34111001	* Support Pad (Use w/Metal Bottom Plate)
91	42246062	Bottom Plate (Metal)
	37245081	Bottom Plate -AG
93	36231036	Furniture Guard - LY
94	48643040	+ Handle Comp. - LY
95	43675187	Outer Bag Comp. AAW/AG

Agitator 41435005

Ref. No.	Part No.	Description
1	49180	Thread Guard - LH
2	43267002	Bearing
3	21347003	* Washer
4	160542	End
5	48445001	Agitator Brush
6	32724008	Shaft
7	12985AY	Thread Guard-RH





Ref. No.	Part No.	Description
1	49180	Thread Guard & Spring (Metal)
	36423003	+ Thread Guard L.H. (Molded)
2	43267002	Bearing
3	21347003	* Thrust Washer
4	22554	Agitator End (Early Model Standard Performance Cleaners, L.H. Helix)
	160542	Agitator End (Standard & High Performance Cleaners, R.H. Helix)
	41435070	Agitator End (Use w/two brush agitator Pt. #48414021)
5	12998BZ	Agitator Brush - 8 mil (Early Model Standard Performance Cleaners, L.H. Helix)
	160646BZ	Agitator Brush - 8 mil (Standard Performance Cleaners, R.H. Helix)
	48445001	Agitator Brush - 11 mil (High Performance Cleaners, R.H. Helix)
6	12981	+ Agitator Shaft (Used w/metal thread guards)
	32724008	Agitator Shaft (Used w/molded thread guards)
7	12985AY	Thread Guard R.H. (Metal)
	36423007	+ Thread Guard R.H. (Molded)

AGITATOR BELT

49258AG	Domestic models, Convertible/Decade 80/Heavy Duty Commercials
44783AG	Lightweight Commercials

AGITATOR ASSEMBLY

169371MF	+ Standard Performance, R.H. Helix (Metal Thread Guards)
41435005	High Performance Cleaners, R.H. Helix (Metal Thread Guards w/Spdng)
48414006	+ High Performance Cleaners, R.H. Helix (Metal Thread Guards)
48414007	+ Standard Performance, R.H. Helix (Molded Thread Guards)

FOUR BRUSH AGITATOR ASSEMBLY

48414002	+ Heavy Duty Commercial (Use 47159 Brush-Long, 47160 Brush-Short & 46875 Sems Fastener)
48414003	Lightweight Commercial (Use 160646BZ Brush & 36422003 Agitator End)

TWO BRUSH W/O BEATER BAR

48414021	Agitator (Molded Thread Guards)
----------	---------------------------------

Motor

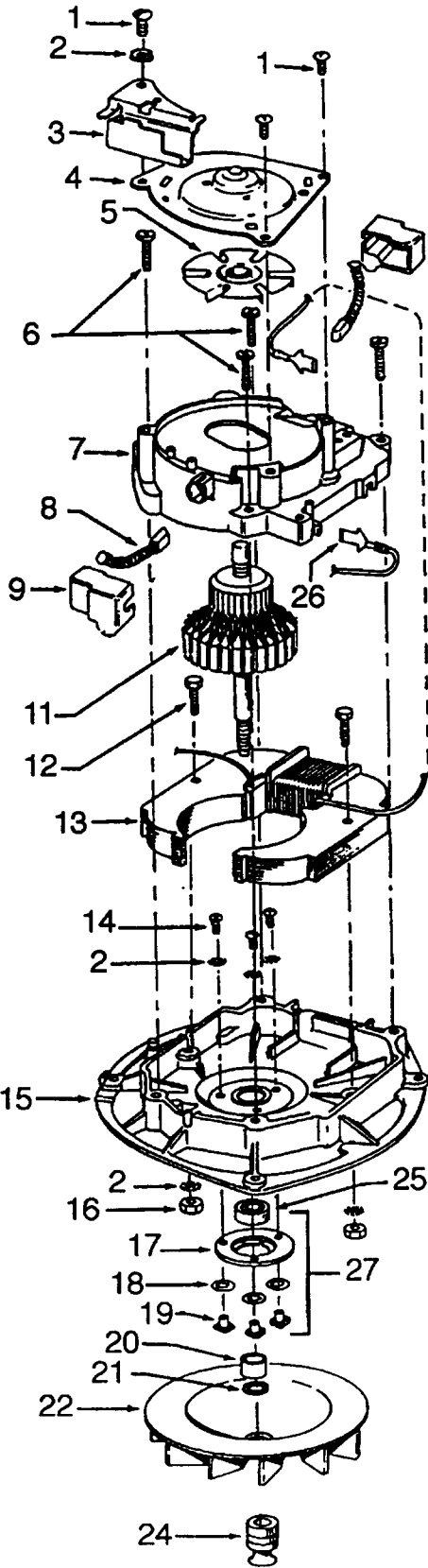
**Models C1065, C1067, C1069, C1085, C1401
C1405, C1425, C1429, U7021, U7063, U7077, U7079**

Motor #43574192

1-Speed w/ Guide

Motor #43574193

1-Speed w/o Guide

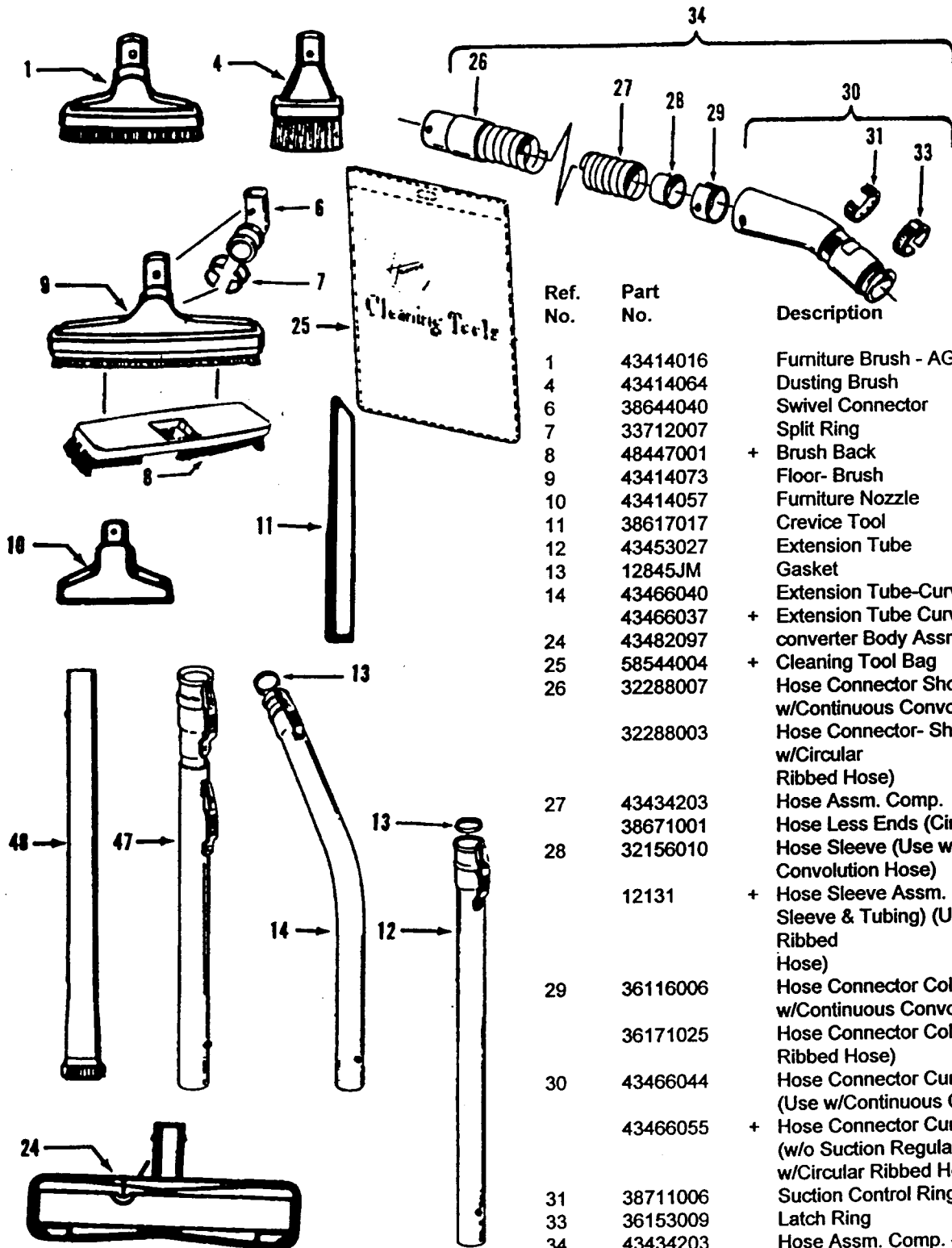


Ref. No.	Part No.	Description
1	45533AY	* Screw
2	14062	* Washer
3	41961009	Indicator Guide
4	42934002	Upper Bearing
5	38755004	Vent Fan
6	161535	* Screw
7	19857	+ Upper Motor Casing
8	47318012	Carbon Brush
9	36315003	Brush Insulator
11	44768051	Armature
12	45118	* Bolt
13	45412015	Field Coil
14	21772501	* Screw
15	42193006	Lower Motor Case
16	15673	* Nut
17	32184003	Retainer
18	19772	* Washer
19	45251	Nut
20	31731002	Spacer
21	166563	* Washer
22	38755011	Fan - Poly
24	43251003	Motor Pulley
25	24152807	Bearing
26	14320	* Terminal
27	43267006	Bearing Kit

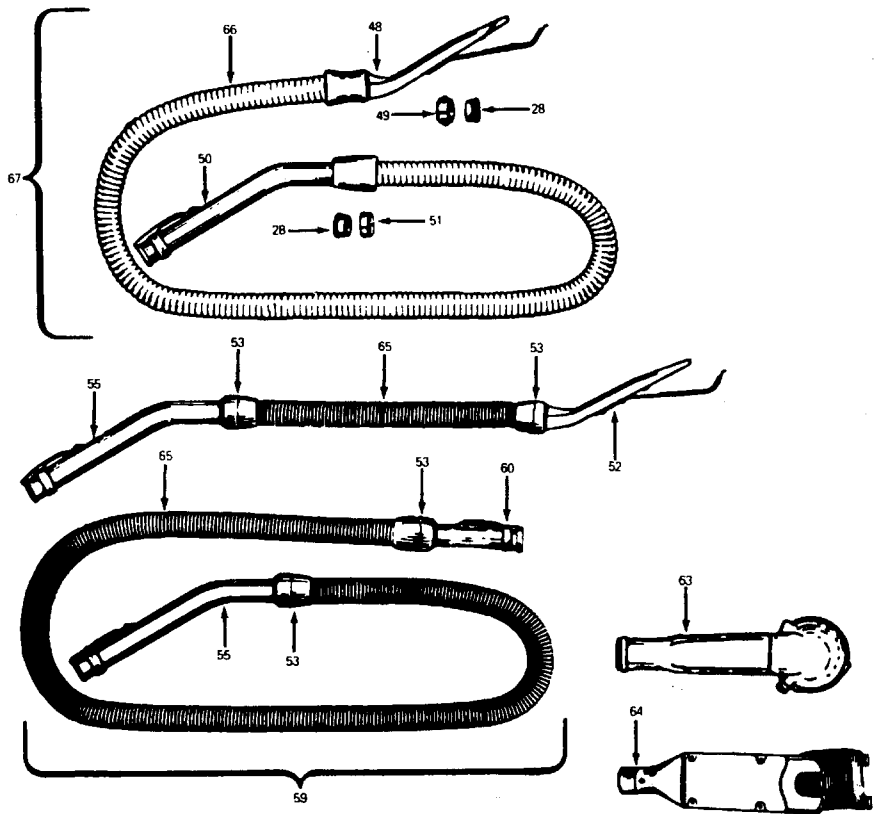
ITEMS NOT ILLUSTRATED

35276006	Indicator Guide Spring
----------	------------------------

Cleaning Tools



Ref. No.	Part No.	Description
1	43414016	Furniture Brush - AG
4	43414064	Dusting Brush
6	38644040	Swivel Connector
7	33712007	Split Ring
8	48447001	+ Brush Back
9	43414073	Floor- Brush
10	43414057	Furniture Nozzle
11	38617017	Crevice Tool
12	43453027	Extension Tube
13	12845JM	Gasket
14	43466040	Extension Tube-Curved - 17
	43466037	+ Extension Tube Curved - 22
24	43482097	converter Body Assm.
25	58544004	+ Cleaning Tool Bag
26	32288007	Hose Connector Short (Use w/Continuous Convolution Hose)
	32288003	Hose Connector- Short (Use w/Circular Ribbed Hose)
27	43434203	Hose Assm. Comp.
	38671001	Hose Less Ends (Circular- Ribbed)
28	32156010	Hose Sleeve (Use w/Continuous Convolution Hose)
	12131	+ Hose Sleeve Assm. (Includes Hose Sleeve & Tubing) (Use w/Circular Ribbed Hose)
29	36116006	Hose Connector Collar (Use w/Continuous Convolution Hose)
	36171025	Hose Connector Collar (Use w/Circular Ribbed Hose)
30	43466044	Hose Connector Curved w/Rings AAP (Use w/Continuous Convolution Hose)
	43466055	+ Hose Connector Curved w/Latch Ring (w/o Suction Regulator) (Use w/Circular Ribbed Hose)
31	38711006	Suction Control Ring
33	36153009	Latch Ring
34	43434203	Hose Assm. Comp. - Front Conversion (Continuous Convolutions)(w/o Suction Regulator)
	43434209	Hose Assm. Comp. - Front Conversion Circular Ribbed w/o Suction Regulator
47	43458001	Extension Tube
48	3863801P	Extension Tube - Poly - AG



Ref. No.	Part No.	Description
28	32156010	Sleeve
48	13147JM	+ Converter
49	12615BZ	Hose Converter Collar
50	43468018	Hose Tube Curved
51	12704BZ	Hose Grip Collar
52	23473JM	+ Converter
53	23393JM	Hose Grip
55	13143	Hose Tube Curved
59	22671JM	+ Hose Comp. - Ultraflex (Commercial) (Use w/Converter 34202 or 35190)
60	34355	+ Hose End Short
63	35190	Converter (Use w/Hose 22671)

Ref. No.	Part No.	Description
64	34202JM	+ Converter (Use w/Hose 22671)
65	48617 JM	+ Hose Less Ends
66	43434213	Hose Less Ends
67	12864JM	+ Hose Assm. Comp.- Tufflex (Standard Rear Conversion)

ITEMS NOT ILLUSTRATED

169460JM	+ Ultraflex Hose - 50' length
43431011	+ Tufflex Hose - 50' length