

Models 91, 913, 918, U7037

Ref. No.	Part No.	Description	Ref. No.	Part No.	Description
1	42247560	+ Motor Hood Guard	36	164380	+* Rivet (4)
2	52115519	+ Nameplate	37	32858	Rear Wheel (2)
3	42252521	+ Motor Hood	38	45427AW	+ Hub Cap (4)
4	21479301	+ Screw (4)	39	652769	Rear Wheel Shaft
5	22368011	+* Screw (7)	40	35054AG	Bag Protector
6	14062	* Lock Washer (4)	41	45355	+ Screw (4)
7	165107	+ Jumper Lead - Green	42	652778	Nozzle Adj. Bracket
8	32227504	+ Screw	43	22368012	+ Screw (2)
9	41412511	+ Handle Socket Assm.	44	33445003	+ Front Wheel Shaft (2)
10	163298	+ Handle Socket & Leads	45	800864	Front Wheel (Bakelite) (2)
11	163311	+ Phenolic Tubing		32857	Front Wheel (Rubber) (2)
12	45433	+ Motor Lead Spring	46	34758503	+ Belt Guard
13	23369001	+* Screw (2)	47	808871	+ Bottom Plate Gasket
14	23369005	+ Lock Washer (2)	48	21256118	+ Rivet (2)
15	46034	+* Handle Socket Lock Ring (2)	49	42246503	Bottom Plate Comp.
16	701293	+ Handle Support Spring	50	800530	Rear Wheel Shaft Clamp (2)
17	800533	+ Handle Support Spring Bushing	51	41436502	End Plate Support - R.H.
18	800535	+ Handle Support Shaft	52	41436501	End Plate Support - L.H.
19	904234	+ Screw	53	49258AG	Belt
20	19772	* Lock Washer	54	21256203	+* Rivet (9)
21	21771	+ Motor Felt Gasket	55	36235512	+ Shroud
22	45481	* Retainer (6)	56	33461	+ Lead Wire Holder
23	652541	* Handle Control Lever Spring	57	900505	+* Screw (4)
24	652359	+ Handle Control Lever Shaft	58	22368008	+* Screw
25	661021	+* Screw (2)	59	16586AY	+* Lock Washer
26	33491	+ Bag Flange Latch Assm	60	652357	Handle Control Lever
27	42242531	+ Main Casting/Shroud Comp.	61	38411502	+ Handle Control Lever Foot Pad
28	45404	+ Bag Flange & Gasket Assm.	62	47171501	+ Dirt Finder Socket Assm.
29	15854EF	* Nut - Special	63	42241	Dirt Finder Lamp
30	17206	* Screw	64	22362001	+ Screw (2)
31	43674025	+ Outer Bag			
32	43362	+ Bag Closure Clip & Spring			
33	38336014	Bag Support Spring			
34		Not Available			
35	162237	+* Nut (2)			

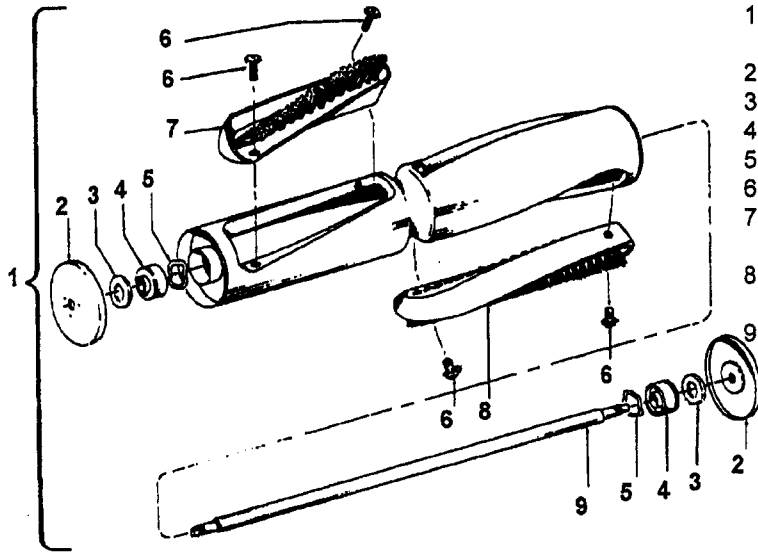
HANDLE ASSM. - (P - 34)

AGITATOR ASSM. - (P-36)

MAIN CASTING - MODEL 918 (P- 13)

Agitator

Models 91, 913, 918, U7037



Ref. No.	Part No.	Description
1	48414002 166949	+ Agitator - 4B - w/Brushes Agitator - 2B - w/o Brushes
2	40850AY	Thread Guard
3	13010	* Felt Washer
4	12978	Bearing
5	21347003	* Washer
6	46875	* Screw
7	47160	Brush - Short - Nylon
	86679	+ Brush - Short - Horsehair
8	47159	Brush - Long - Nylon
	86680	Brush - Long - Horsehair
	40865	+ Shaft

Original Agitator Brushes for Early Model Agitators.



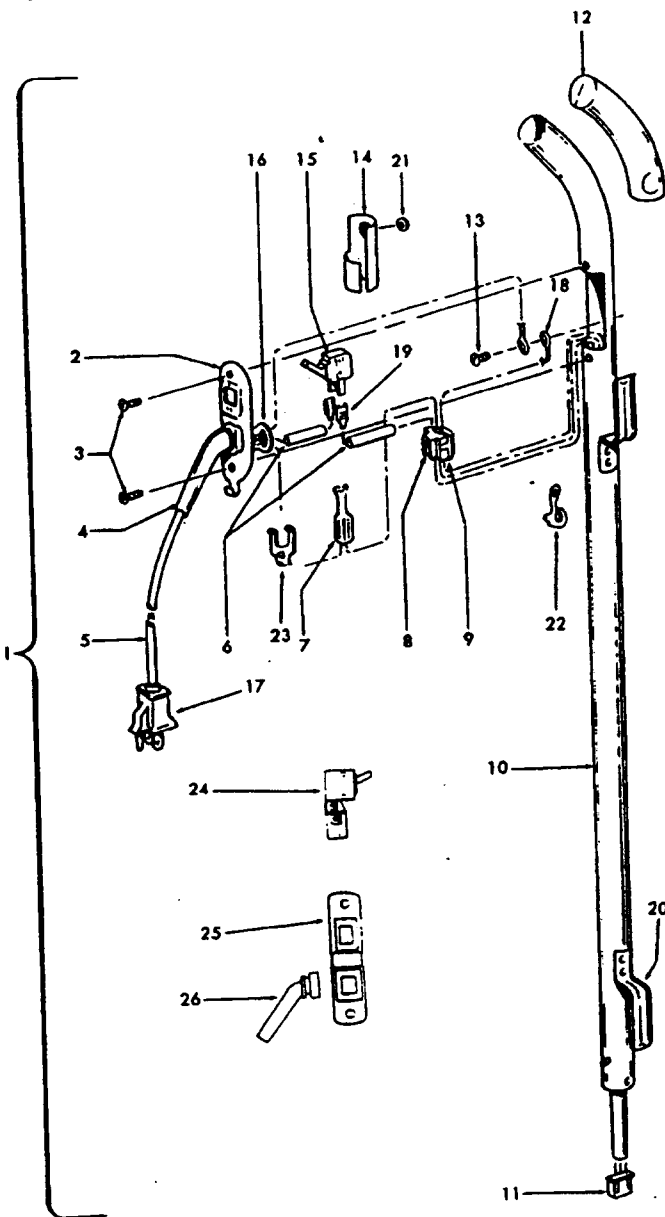
- 33451 + Brush - Long - Horsehair
- 33452 + Brush - Short - Horsehair
- 47421 + Brush - Long - Nylon
- 47422 + Brush - Short - Nylon



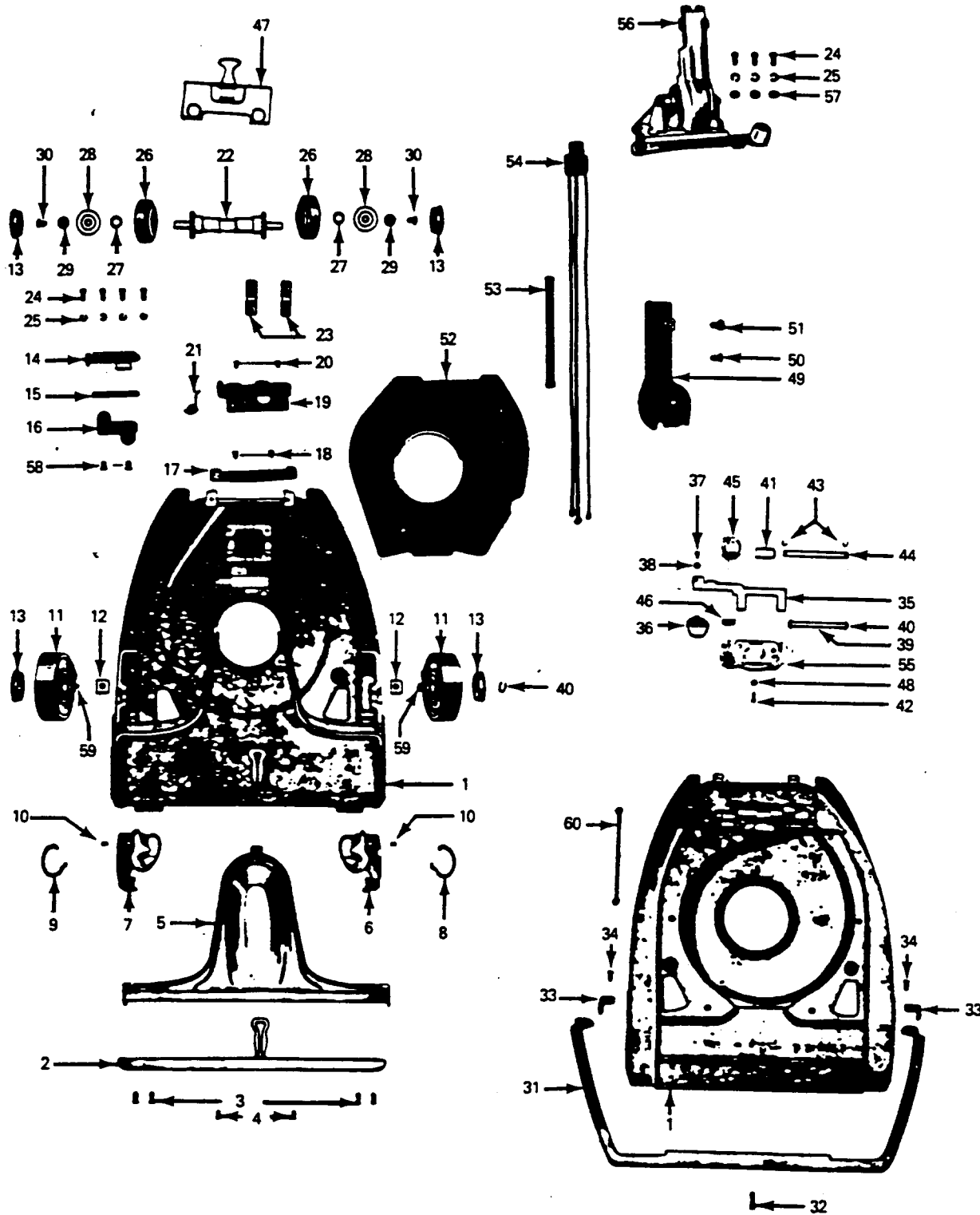
- 82667 + Brush - Long - Horsehair
- 82668 + Brush - Short - Horsehair
- 32988 Brush - Long - Nylon
- 32987 + Brush - Short - Nylon

Handle Assembly

Models 91, 913, 918, U7037



Ref. No.	Part No.	Description
1	22685AG	+ Handle Comp. - 2W
	48655050	+ Handle Comp. - AG - 3W
2	23138AW	Switch Plate
3	21465314	* Screw
4	31969AG	Cord Protector
5	46583148	Cord - AAW - 3W - 50 ft.
	46583031	Cord
	46383137	Cord - NM - 2W - 35 ft.
6	161935JM	+* Tubing
7	12227	Insulated Terminal
8	12260	+ Strain Relief Body
9	12261	+ Strain Relief Lock
10	48646060	+ Handle Shell - AG
11	163297	+ Socket - 3W
	34484JM	+ Socket - 2W
12	23458AG	Handle Grip
13	168317	+* Screw
14	12272	+ Insulating Sleeve
15	12971	Switch - Slip Terminal
16	18676	Retainer
17	25084	+ Service Plug - 3W
	35380	Service Plug - 2W
18	27661503	* Terminal
19	160356	* Terminal
20	34485JM	+ Cord Clip
21	13008	* Pad
22	42330	+ Bag Hook
23	12988	+* Retainer
24	12971	Switch - Screw Terminal
25	803492	Switch Plate - Coated
26	815398	+ Cord Protector - Square Neck



Main Casting

Models 918, 918-01

Ref. No.	Part No.	Description
1	42242531	+ Main Casting Comp. - Metric
2	34555018	Nozzle Lip Comp.
3	162239	+* Rivet
4	46074	+* Rivet
5	32853	Cleaner Bottom Plate
6	41436502	End Plate Support - RH
7	41436501	End Plate Support - LH
8	44518AY	+ Supt. Clamp Lever Spring - RH
9	44519	+ Supt. Clamp Lever Spring - LH
10	164380	+* Rivet
11	32860	Front Wheel & Shaft Comp.
	32857	Wheel Only - Rubber
	800864	Wheel Only - Bakelite
12	162237	+* Nut
13	45427AW	+ Hub Cap
14	32711	+ Cleaner Bottom Plate Latch
15	19745	+* Latch Housing Spring
16	45531	+ Latch Housing
17	32759	Bag Flange Support
18	19240	+* Rivet
19	33491	+ Bag Flange Latch
20	46074	+* Rivet
21	46064	+ Bag Flange Spring
22	652769	Rear Wheel Shaft
23	800530	Rear Wheel Shaft Clamp
24	45355	+ Screw
25	14062	* Lock Washer
26	32858	Rear Wheel
27	162275	+* Rear Wheel Lock Washer - Inside
28	162276	+ Dust Guard Washer
29	16586AY	+* Rear Wheel Lock Washer - Outside
30	19748	+ Screw
31	10561	Furniture Guard
32	164176EF	+* Rivet - Furniture Guard
33	45388	Furniture Guard Clip
34	48265	+* Rivet
35	652357	Handle Control Lever
36	45368	+ Handle Control Lever Foot Pad - 91 8 Standard
	38411502	+ Handle Control Lever Foot Pad - 918-01 Metric

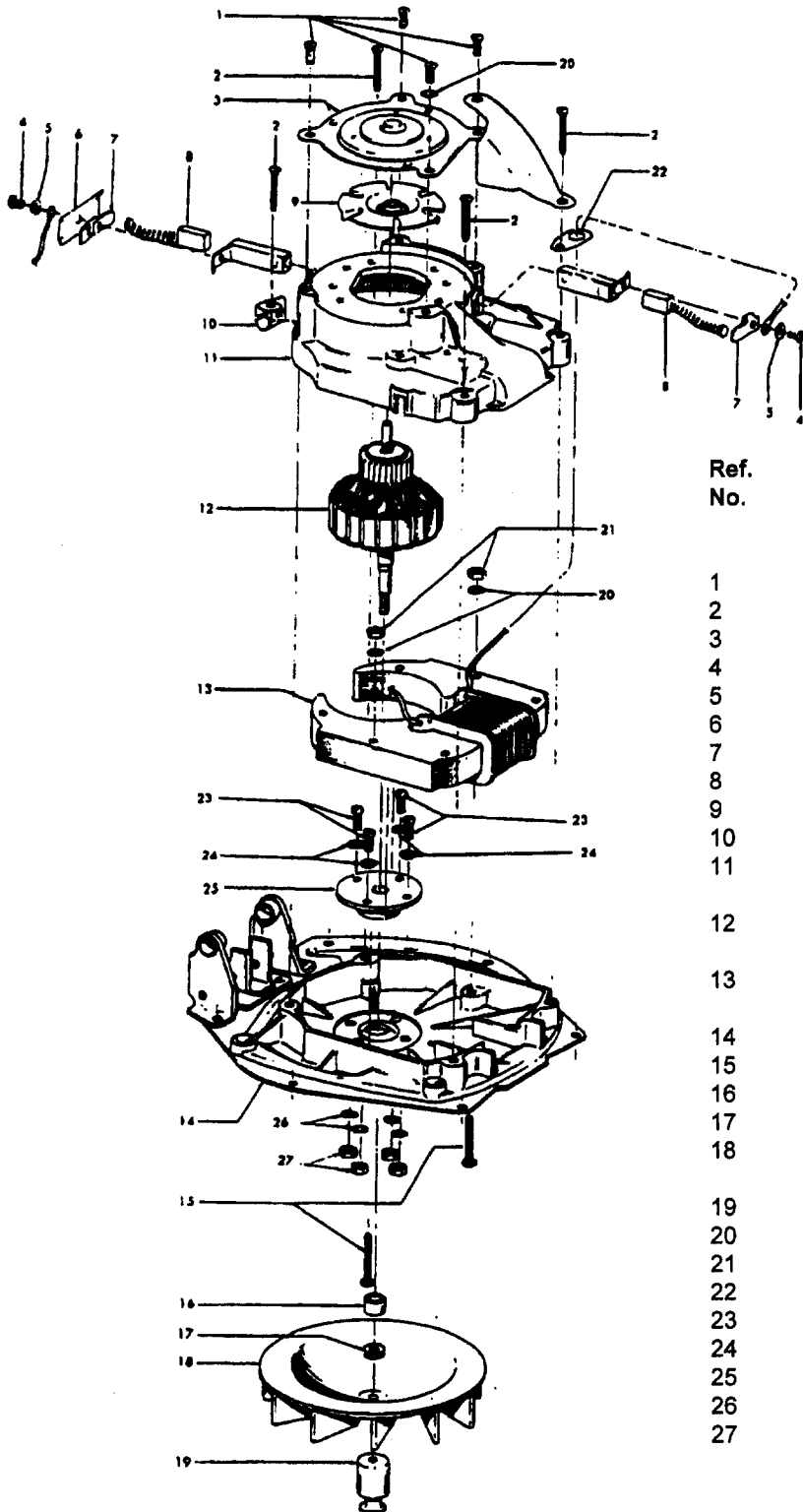
Ref. No.	Part No.	Description
37	162567	+* Screw - 918 Standard
	22368008	+* Screw - Metric
38	16586AY	+* Lock Washer
39	652359	+ Handle Control Lever Shaft
40	45481	* Handle Control Lever Pin Retainer
41	800533	+ Handle Support Spring Bushing
42	45550	+ Screw
43	46034	+* Handle Socket Lock Ring
44	800535	+ Handle Support Shaft
45	701293	+ Handle Support Spring
46	652541	* Handle Control Lever Spring
47	652778	Nozzle Adj. Bracket
48	900851	+* Lock Washer
49	41412511	+ Handle Control Socket - Metric
50	44792	+ Screw
51	32227504	+ Screw
52	22075	+ Fan Chamber Liner
53	45433	Motor Lead Spring
54	163298	+ Handle Socket Lead Wire
55	652560	Bracket Assm.
56	41414510	Handle Control Assm. Comp. - Metric
57	15673	* Nut
58	161882	* Rivet
59	33445003	+ Front Wheel Shaft
60	165107	+ Lead Wire Jumper (Green)

ITEMS NOT ILLUSTRATED

661021	+* Screw - Latch Lever
35054 AG	Protective Plate (Main Casting)
45248	+* Retainer for 652769 Rear Wheel Shaft
Handle Assm. - (P-34)	
Agitator Assm. - (P-36)	
Motor - (P-37)	
Motor Hood - (P-32)	
Cloth Bag Assm. - (P-32)	

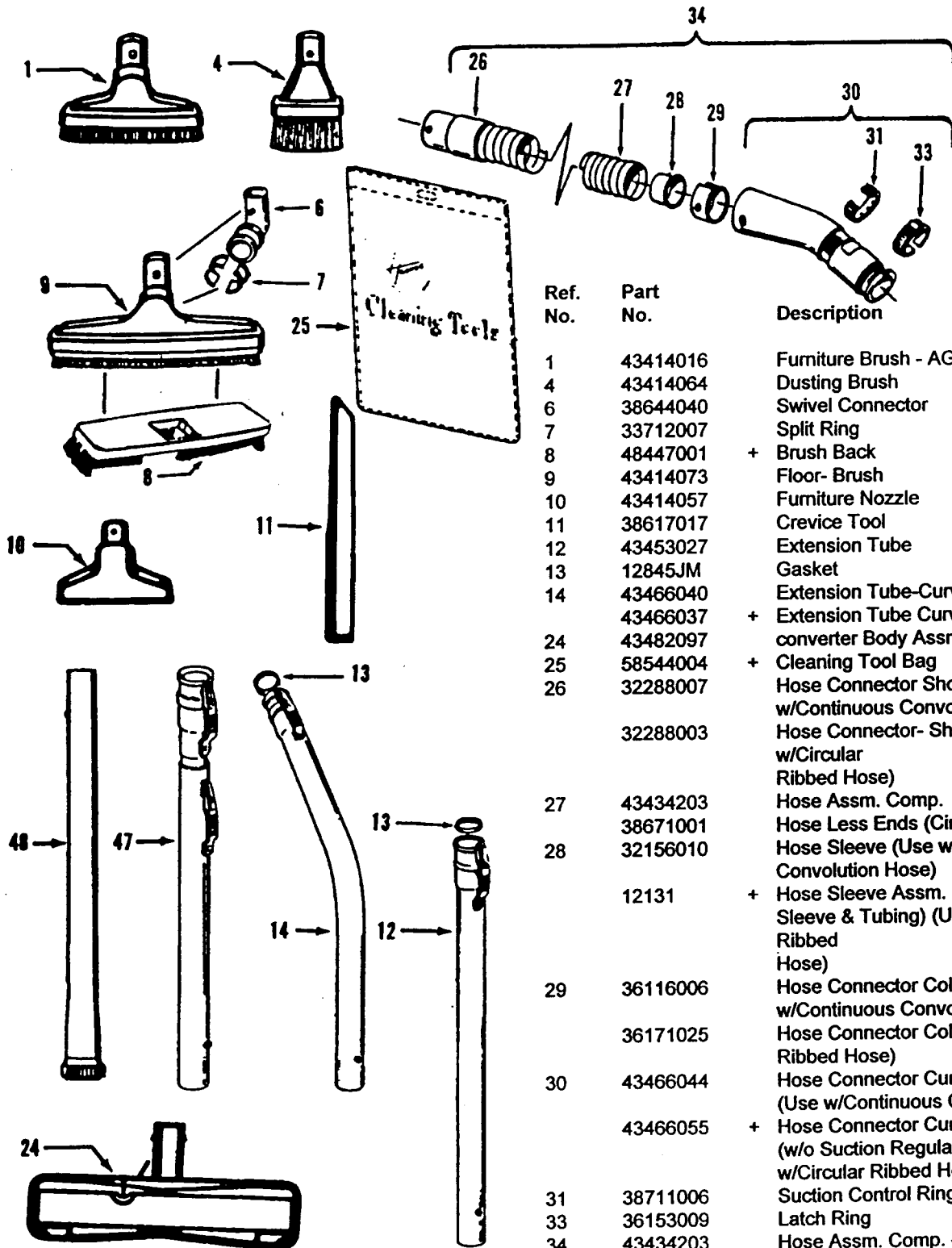
Motor 43177525 (Metric)

Models 91, 913, 918, U7037

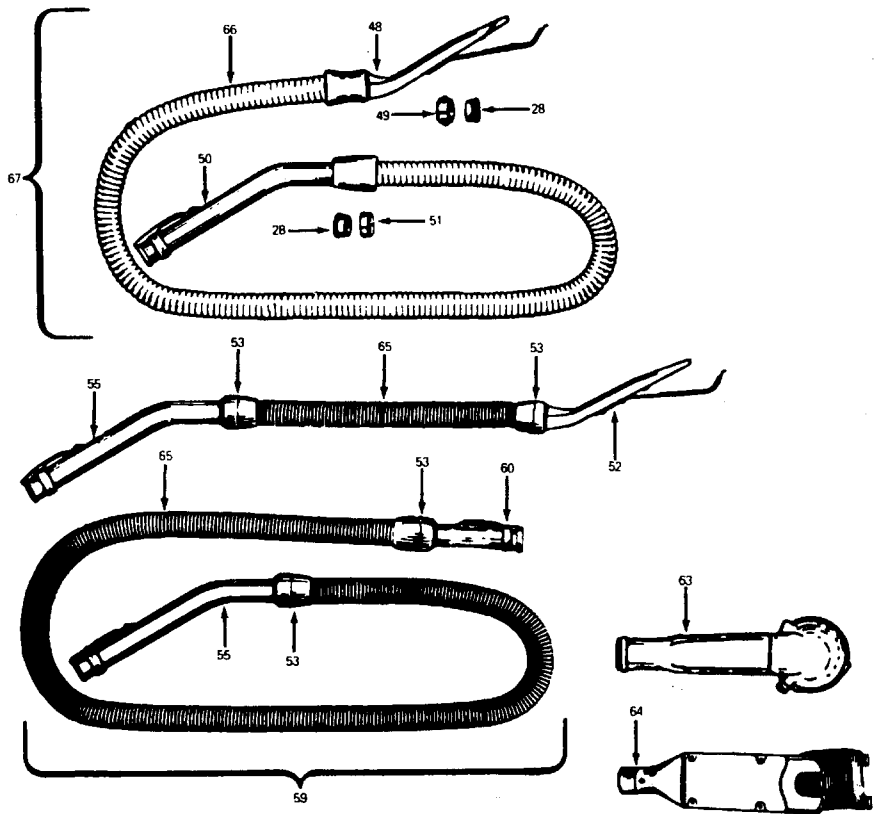


Ref. No.	Part No.	Description
	43177558	Motor Comp. - Less Fan
1	21479301	+ Screw
2	900505	+* Screw
3	42934002	Upper Motor Bearing
4	23369002	+* Screw
5	900047	* Lock Washer
6	800811	+* Brush Holder Insulator
7	808647	+ Carbon Brush Retainer
8	47318502	Carbon Brush & Spring
9	11145	+ Ventilating Fan
10	701525	+ Motor Lead Spring Holder
11	42195504	Upper Motor Casing & Brush Holder
	19857	+ Upper Motor Case - 91
12	640361	Armature
	21653	Armature - 91
13	45412506	Field
	45412015	Field - 91
14	655486	+ Lower Motor Casing
15	45118	* Field Bolt
16	11155	Fan Spacer
17	169241AW	* Washer
18	38755011	Fan
	22556	+ Fan - 91
19	801130	+ Fan Pulley
20	14062	* Lock Washer
21	15673	* Hex Nut
22	45517	Lead Wire Holder
23	21772501	* Screw
24	14062	* Washer
25	19829	Lower Bearing
26	19772	* Washer
27	45251	Nut

Cleaning Tools



Ref. No.	Part No.	Description
1	43414016	Furniture Brush - AG
4	43414064	Dusting Brush
6	38644040	Swivel Connector
7	33712007	Split Ring
8	48447001	+ Brush Back
9	43414073	Floor- Brush
10	43414057	Furniture Nozzle
11	38617017	Crevice Tool
12	43453027	Extension Tube
13	12845JM	Gasket
14	43466040	Extension Tube-Curved - 17
	43466037	+ Extension Tube Curved - 22
24	43482097	converter Body Assm.
25	58544004	+ Cleaning Tool Bag
26	32288007	Hose Connector Short (Use w/Continuous Convolution Hose)
	32288003	Hose Connector- Short (Use w/Circular Ribbed Hose)
27	43434203	Hose Assm. Comp.
	38671001	Hose Less Ends (Circular- Ribbed)
28	32156010	Hose Sleeve (Use w/Continuous Convolution Hose)
	12131	+ Hose Sleeve Assm. (Includes Hose Sleeve & Tubing) (Use w/Circular Ribbed Hose)
29	36116006	Hose Connector Collar (Use w/Continuous Convolution Hose)
	36171025	Hose Connector Collar (Use w/Circular Ribbed Hose)
30	43466044	Hose Connector Curved w/Rings AAP (Use w/Continuous Convolution Hose)
	43466055	+ Hose Connector Curved w/Latch Ring (w/o Suction Regulator) (Use w/Circular Ribbed Hose)
31	38711006	Suction Control Ring
33	36153009	Latch Ring
34	43434203	Hose Assm. Comp. - Front Conversion (Continuous Convolutions)(w/o Suction Regulator)
	43434209	Hose Assm. Comp. - Front Conversion Circular Ribbed w/o Suction Regulator
47	43458001	Extension Tube
48	3863801P	Extension Tube - Poly - AG



Ref. No.	Part No.	Description
28	32156010	Sleeve
48	13147JM	+ Converter
49	12615BZ	Hose Converter Collar
50	43468018	Hose Tube Curved
51	12704BZ	Hose Grip Collar
52	23473JM	+ Converter
53	23393JM	Hose Grip
55	13143	Hose Tube Curved
59	22671JM	+ Hose Comp. - Ultraflex (Commercial) (Use w/Converter 34202 or 35190)
60	34355	+ Hose End Short
63	35190	Converter (Use w/Hose 22671)

Ref. No.	Part No.	Description
64	34202JM	+ Converter (Use w/Hose 22671)
65	48617 JM	+ Hose Less Ends
66	43434213	Hose Less Ends
67	12864JM	+ Hose Assm. Comp.- Tufflex (Standard Rear Conversion)

ITEMS NOT ILLUSTRATED

169460JM	+ Ultraflex Hose - 50' length
43431011	+ Tufflex Hose - 50' length