

Models 91, 913, 918, U7037

Ref. No.	Part No.	Description
1	42247560	+ Motor Hood Guard
2	52115519	+ Nameplate
3	42252521	+ Motor Hood
4	21479301	+ Screw (4)
5	22368011	+* Screw (7)
6	14062	* Lock Washer (4)
7	165107	+ Jumper Lead - Green
8	32227504	+ Screw
9	41412511	+ Handle Socket Assm.
10	163298	+ Handle Socket & Leads
11	163311	+ Phenolic Tubing
12	45433	+ Motor Lead Spring
13	23369001	+* Screw (2)
14	23369005	+ Lock Washer (2)
15	46034	+* Handle Socket Lock Ring (2)
16	701293	+ Handle Support Spring
17	800533	+ Handle Support Spring Bushing
18	800535	+ Handle Support Shaft
19	904234	+ Screw
20	19772	* Lock Washer
21	21771	+ Motor Felt Gasket
22	45481	* Retainer (6)
23	652541	* Handle Control Lever Spring
24	652359	+ Handle Control Lever Shaft
25	661021	+* Screw (2)
26	33491	+ Bag Flange Latch Assm
27	42242531	+ Main Casting/Shroud Comp.
28	45404	+ Bag Flange & Gasket Assm.
29	15854EF	* Nut - Special
30	17206	* Screw
31	43674025	+ Outer Bag
32	43362	+ Bag Closure Clip & Spring
33	38336014	Bag Support Spring
34		Not Available
35	162237	+* Nut (2)

Ref. No.	Part No.	Description
36	164380	+* Rivet (4)
37	32858	Rear Wheel (2)
38	45427AW	+ Hub Cap (4)
39	652769	Rear Wheel Shaft
40	35054AG	Bag Protector
41	45355	+ Screw (4)
42	652778	Nozzle Adj. Bracket
43	22368012	+ Screw (2)
44	33445003	+ Front Wheel Shaft (2)
45	800864	Front Wheel (Bakelite) (2)
	32857	Front Wheel (Rubber) (2)
46	34758503	+ Belt Guard
47	808871	+ Bottom Plate Gasket
48	21256118	+ Rivet (2)
49	42246503	Bottom Plate Comp.
50	800530	Rear Wheel Shaft Clamp (2)
51	41436502	End Plate Support - R.H.
52	41436501	End Plate Support - L.H.
53	49258AG	Belt
54	21256203	+* Rivet (9)
55	36235512	+ Shroud
56	33461	+ Lead Wire Holder
57	900505	+* Screw (4)
58	22368008	+* Screw
59	16586AY	+* Lock Washer
60	652357	Handle Control Lever
61	38411502	+ Handle Control Lever Foot Pad
62	47171501	+ Dirt Finder Socket Assm.
63	42241	Dirt Finder Lamp
64	22362001	+ Screw (2)

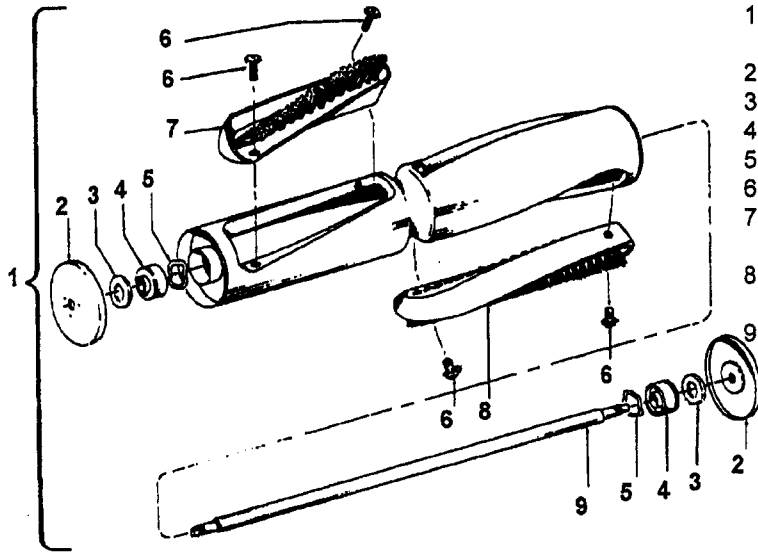
HANDLE ASSM. - (P - 34)

AGITATOR ASSM. - (P-36)

MAIN CASTING - MODEL 918 (P- 13)

Agitator

Models 91, 913, 918, U7037



Ref. No.	Part No.	Description
1	48414002 166949	+ Agitator - 4B - w/Brushes Agitator - 2B - w/o Brushes
2	40850AY	Thread Guard
3	13010	* Felt Washer
4	12978	Bearing
5	21347003	* Washer
6	46875	* Screw
7	47160 86679	Brush - Short - Nylon + Brush - Short - Horsehair
8	47159 86680	Brush - Long - Nylon Brush - Long - Horsehair
9	40865	+ Shaft

Original Agitator Brushes for Early Model Agitators.



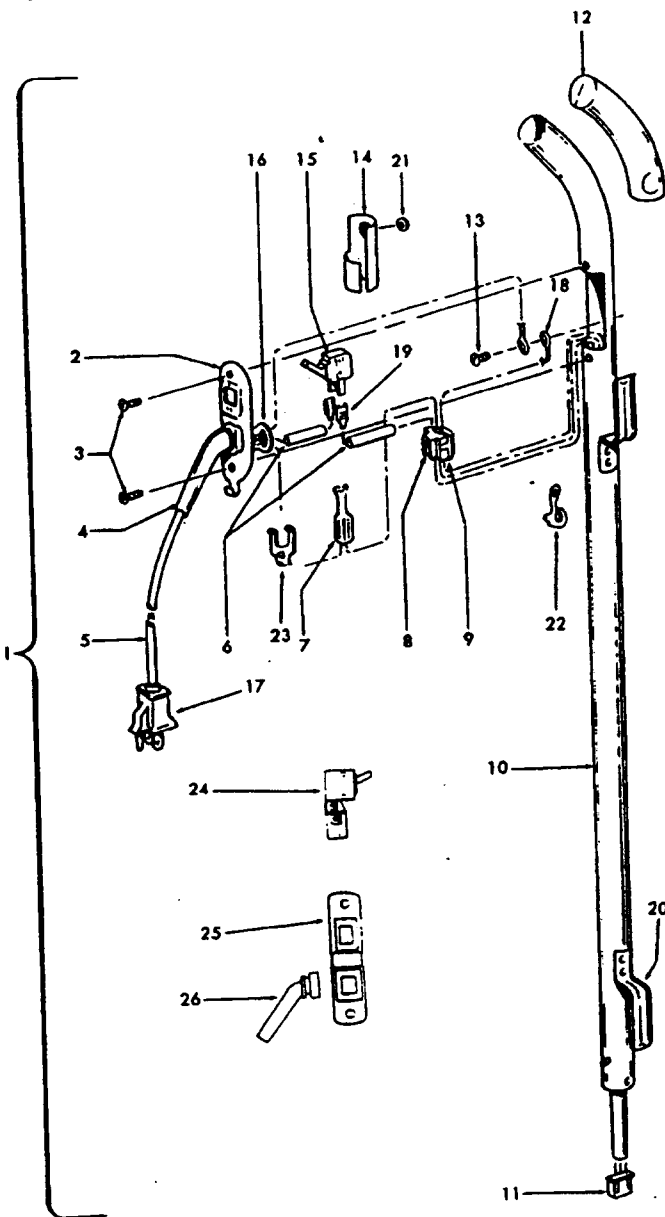
- 33451 + Brush - Long - Horsehair
- 33452 + Brush - Short - Horsehair
- 47421 + Brush - Long - Nylon
- 47422 + Brush - Short - Nylon



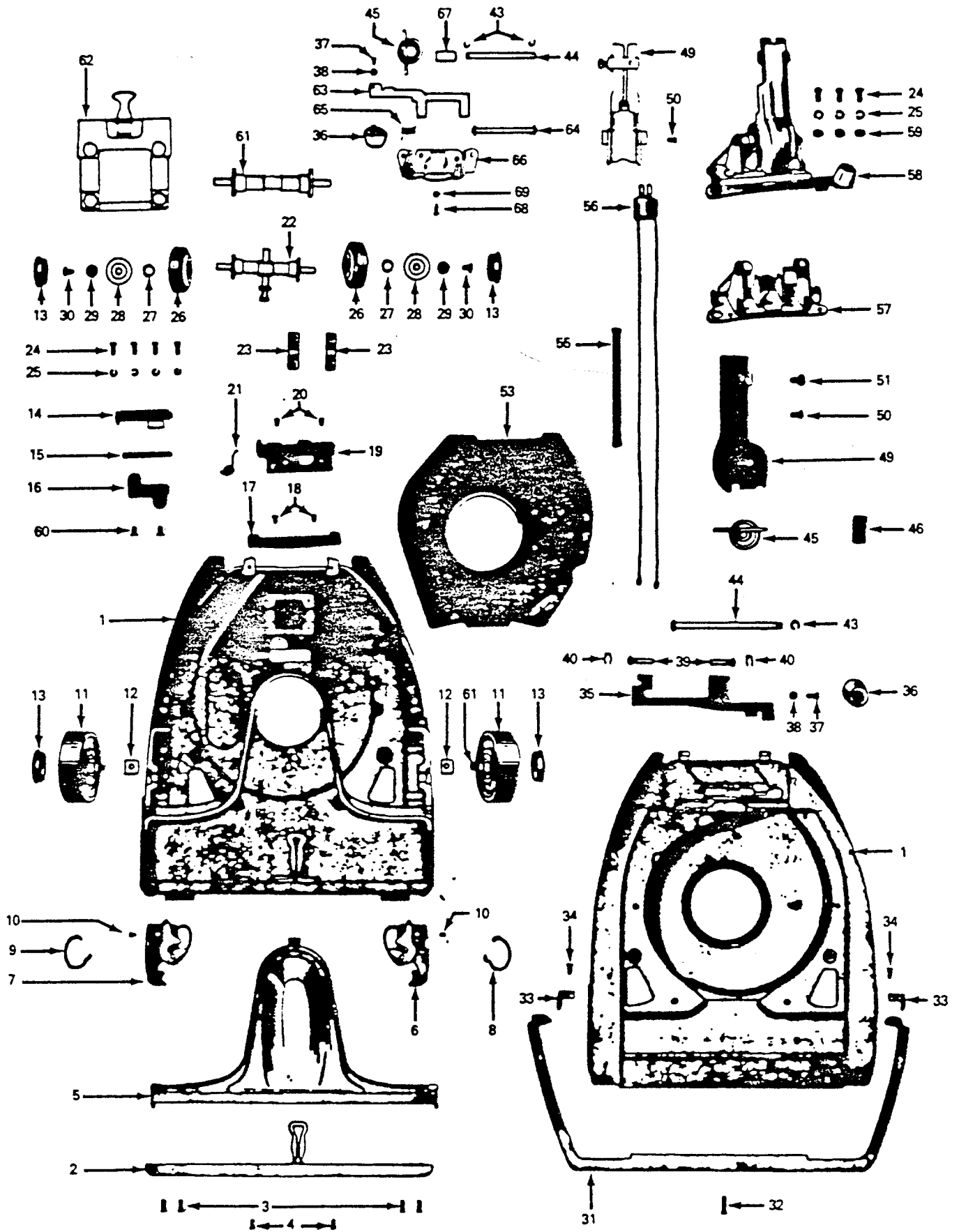
- 82667 + Brush - Long - Horsehair
- 82668 + Brush - Short - Horsehair
- 32988 Brush - Long - Nylon
- 32987 + Brush - Short - Nylon

Handle Assembly

Models 91, 913, 918, U7037



Ref. No.	Part No.	Description
1	22685AG	+ Handle Comp. - 2W
	48655050	+ Handle Comp. - AG - 3W
2	23138AW	Switch Plate
3	21465314	* Screw
4	31969AG	Cord Protector
5	46583148	Cord - AAW - 3W - 50 ft.
	46583031	Cord
	46383137	Cord - NM - 2W - 35 ft.
6	161935JM	+* Tubing
7	12227	Insulated Terminal
8	12260	+ Strain Relief Body
9	12261	+ Strain Relief Lock
10	48646060	+ Handle Shell - AG
11	163297	+ Socket - 3W
	34484JM	+ Socket - 2W
12	23458AG	Handle Grip
13	168317	+* Screw
14	12272	+ Insulating Sleeve
15	12971	Switch - Slip Terminal
16	18676	Retainer
17	25084	+ Service Plug - 3W
	35380	Service Plug - 2W
18	27661503	* Terminal
19	160356	* Terminal
20	34485JM	+ Cord Clip
21	13008	* Pad
22	42330	+ Bag Hook
23	12988	+* Retainer
24	12971	Switch - Screw Terminal
25	803492	Switch Plate - Coated
26	815398	+ Cord Protector - Square Neck



Main Casting

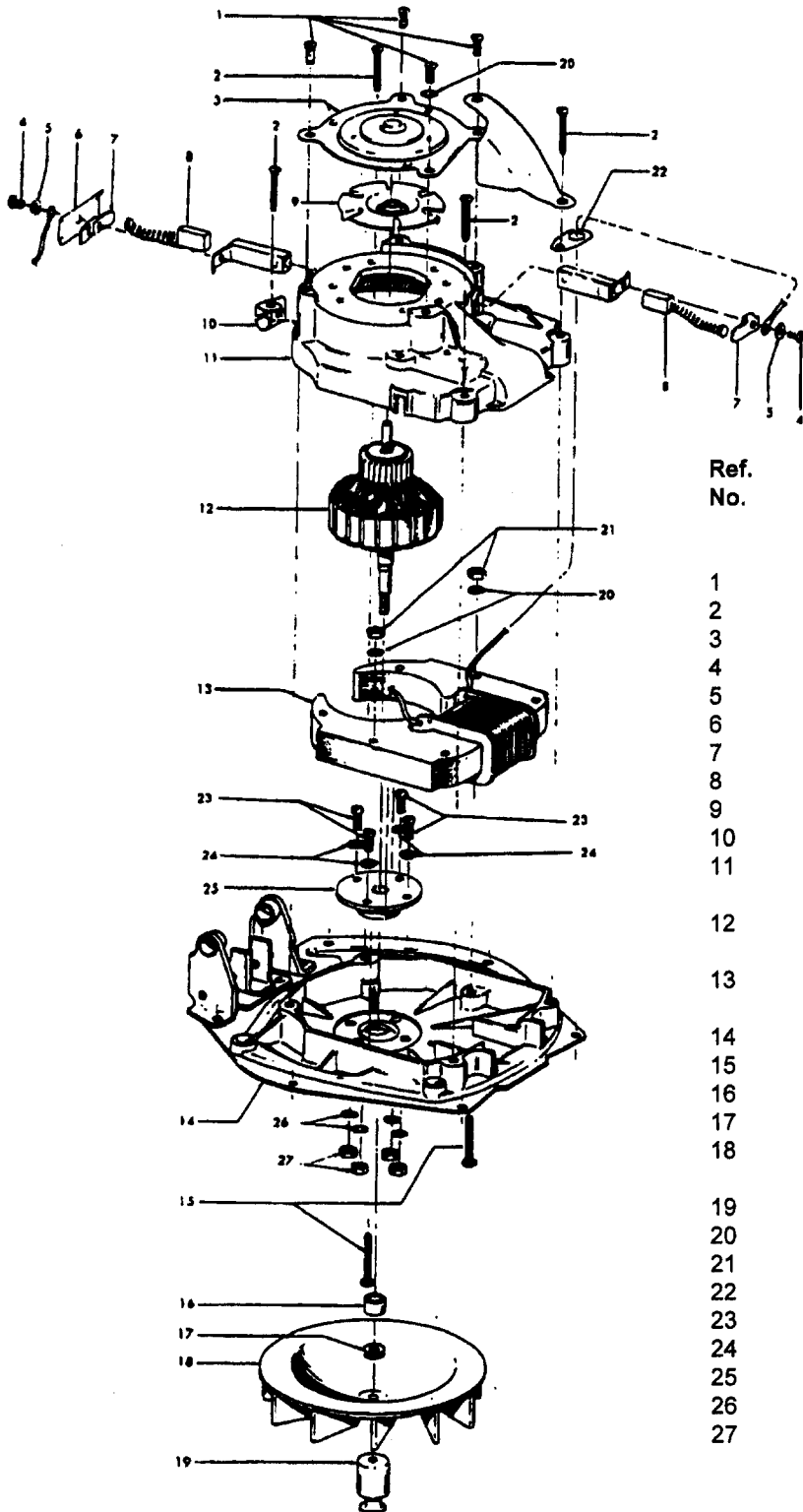
Ref. No.	Part No.	Description
1	42242531	+ Main Casting Assm.
2	34555018	Nozzle Lip Assm.
3	162239	+* Nozzle Lip Rivet
4	46074	+* Nozzle Lip Rivet
5	32853	Cleaner Bottom Plate
6	41436502	End Plate Support - RH
7	41436501	End Plate Support - LH
8	44518AY	+ Supt. Clamp Lever Spring - RH
9	44519	+ Supt. Clamp Lever Spring - LH
10	164380	+* Rivet
11	32860	Front Wheel Shaft & Bearing Assm.
	800864	Front Wheel - 913
	32857	Front Wheel Only
12	162237	+* Nut (Use w/32860)
13	45427AW	+ Rear & Front Wheel Hub Cap
14	32711	+ Cleaner Bottom Plate Latch
15	19745	+* Latch Housing Spring
16	45531	+ Latch Housing
17	32759	Bag Flange Support
18	19240	+* Rivet
19	33491	+ Bag Flange Latch Assm.
20	46074	+* Rivet
21	46064	+ Bag Flange Spring
22	45558	+ Rear Wheel Shaft & Pin - 91
	40100002	Rear Wheel Shaft & Pin - 913 (Consists of #652769 & 652778)
23	800530	Rear Wheel Shaft Clamp
24	45355	+ Screw
25	14062	* Lock Washer
26	32858	Rear Wheel
27	162275	+* Rear Wheel Lock Washer Inside
28	162276	+ Dust Guard Washer
29	16586AY	+* Rear Wheel Lock Washer Outside
30	19748	+ Screw - Machine
31	10561	Furniture Guard
32	164176EF	+* Rivet
33	45388	Furniture Guard Clip
34	48265	+* Rivet
35	47611	+ Handle Control Lever
36	45368	+ Handle Control Lever Foot Pad
37	22368008	+* Screw
38	16586AY	+* Lock Washer
39	46031	+ Handle Control Lever Pin
40	45481	* Handle Control Lever Pin Retr.
43	46034	+* Handle Socket Shaft Spring Lock Ring
44	800535	+ Handle Support Shaft
45	701293	+ Handle Support Spring

Models 91, 913, 913-01

Ref. No.	Part No.	Description
46	12559FW	Handle Control Lever Spring
49	41412511	+ Handle Control Socket
50	44792	+ Screw
51	32227504	+ Screw
53	22075	+ Fan Chamber Liner
55	45433	+ Motor Lead Spring
56	47076	+ Handle Socket Plug & Wires
57	33458	+ Bracket Assm.
58	41414510	Handle Control Assm.
59	15673	* Nut
60	161882	+* Rivet
61	33445003	+ Wheel Shaft
Model 913-01 Three Position Nozzle Adjustment After Serial 150001		
61	652769	Rear Wheel Shaft
62	652778	Nozzle Adjustment Bracket
Model 913 Revised Handle Control Lever After Serial 136906		
63	652357	Handle Control Lever
64	652359	+ Handle Control Lever Shaft
65	652541	* Handle Control Lever Spring
66	652560	Handle Support Bracket Assm.
67	800533	+ Handle Support spring Bushing
68	45550	+ Screw
69	900851	+* Lock Washer
Model 913 & 913-01 Parts - Not Illustrated		
	661021	+ .Screw - Latch Lever/Casting
	045481--	* Lock Ring for 33445003
	35054AG	Protector Plate
	45248	+* Retainer for 652769 Rear Wheel Shaft - 913-01
Handle Assm. - (P-34)		
Agitator Assm. - (P-36)		
Motor - (P-37)		
Motor Hood - (P-32)		
Cloth Bag Assm. - (P-32)		

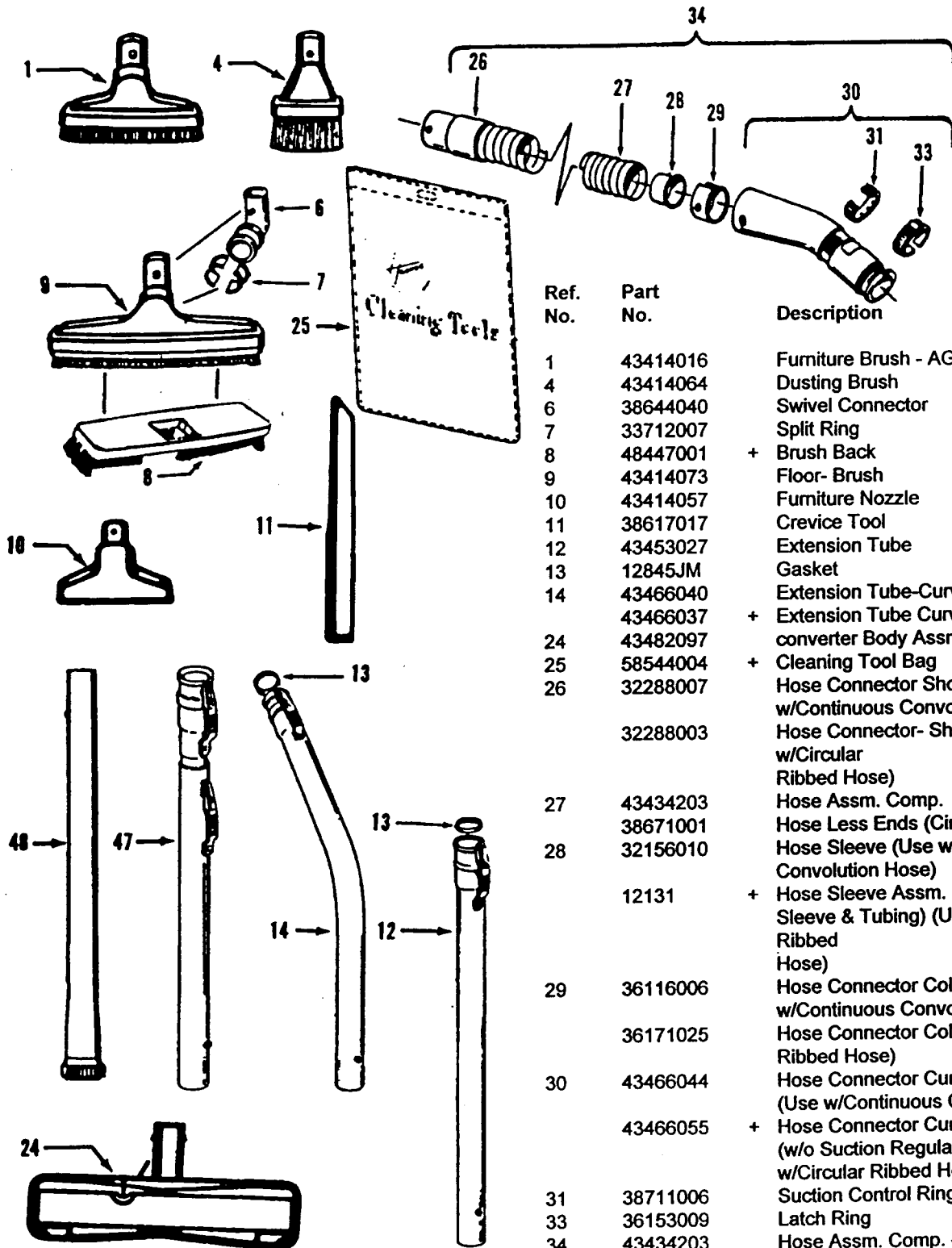
Motor 43177525 (Metric)

Models 91, 913, 918, U7037

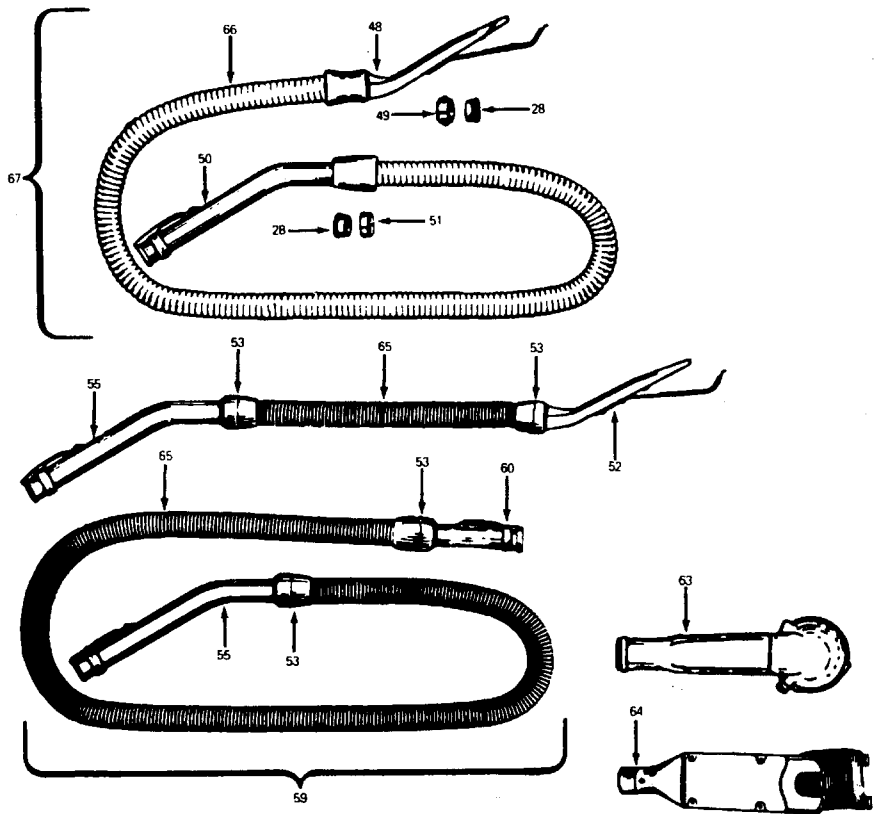


Ref. No.	Part No.	Description
	43177558	Motor Comp. - Less Fan
1	21479301	+ Screw
2	900505	+* Screw
3	42934002	Upper Motor Bearing
4	23369002	+* Screw
5	900047	* Lock Washer
6	800811	+* Brush Holder Insulator
7	808647	+ Carbon Brush Retainer
8	47318502	Carbon Brush & Spring
9	11145	+ Ventilating Fan
10	701525	+ Motor Lead Spring Holder
11	42195504	Upper Motor Casing & Brush Holder
	19857	+ Upper Motor Case - 91
12	640361	Armature
	21653	Armature - 91
13	45412506	Field
	45412015	Field - 91
14	655486	+ Lower Motor Casing
15	45118	* Field Bolt
16	11155	Fan Spacer
17	169241AW	* Washer
18	38755011	Fan
	22556	+ Fan - 91
19	801130	+ Fan Pulley
20	14062	* Lock Washer
21	15673	* Hex Nut
22	45517	Lead Wire Holder
23	21772501	* Screw
24	14062	* Washer
25	19829	Lower Bearing
26	19772	* Washer
27	45251	Nut

Cleaning Tools



Ref. No.	Part No.	Description
1	43414016	Furniture Brush - AG
4	43414064	Dusting Brush
6	38644040	Swivel Connector
7	33712007	Split Ring
8	48447001	+ Brush Back
9	43414073	Floor- Brush
10	43414057	Furniture Nozzle
11	38617017	Crevice Tool
12	43453027	Extension Tube
13	12845JM	Gasket
14	43466040	Extension Tube-Curved - 17
	43466037	+ Extension Tube Curved - 22
24	43482097	converter Body Assm.
25	58544004	+ Cleaning Tool Bag
26	32288007	Hose Connector Short (Use w/Continuous Convolution Hose)
	32288003	Hose Connector- Short (Use w/Circular Ribbed Hose)
27	43434203	Hose Assm. Comp.
	38671001	Hose Less Ends (Circular- Ribbed)
28	32156010	Hose Sleeve (Use w/Continuous Convolution Hose)
	12131	+ Hose Sleeve Assm. (Includes Hose Sleeve & Tubing) (Use w/Circular Ribbed Hose)
29	36116006	Hose Connector Collar (Use w/Continuous Convolution Hose)
	36171025	Hose Connector Collar (Use w/Circular Ribbed Hose)
30	43466044	Hose Connector Curved w/Rings AAP (Use w/Continuous Convolution Hose)
	43466055	+ Hose Connector Curved w/Latch Ring (w/o Suction Regulator) (Use w/Circular Ribbed Hose)
31	38711006	Suction Control Ring
33	36153009	Latch Ring
34	43434203	Hose Assm. Comp. - Front Conversion (Continuous Convolutions)(w/o Suction Regulator)
	43434209	Hose Assm. Comp. - Front Conversion Circular Ribbed w/o Suction Regulator
47	43458001	Extension Tube
48	3863801P	Extension Tube - Poly - AG



Ref. No.	Part No.	Description
28	32156010	Sleeve
48	13147JM	+ Converter
49	12615BZ	Hose Converter Collar
50	43468018	Hose Tube Curved
51	12704BZ	Hose Grip Collar
52	23473JM	+ Converter
53	23393JM	Hose Grip
55	13143	Hose Tube Curved
59	22671JM	+ Hose Comp. - Ultraflex (Commercial) (Use w/Converter 34202 or 35190)
60	34355	+ Hose End Short
63	35190	Converter (Use w/Hose 22671)

Ref. No.	Part No.	Description
64	34202JM	+ Converter (Use w/Hose 22671)
65	48617 JM	+ Hose Less Ends
66	43434213	Hose Less Ends
67	12864JM	+ Hose Assm. Comp.- Tufflex (Standard Rear Conversion)

ITEMS NOT ILLUSTRATED

169460JM	+ Ultraflex Hose - 50' length
43431011	+ Tufflex Hose - 50' length