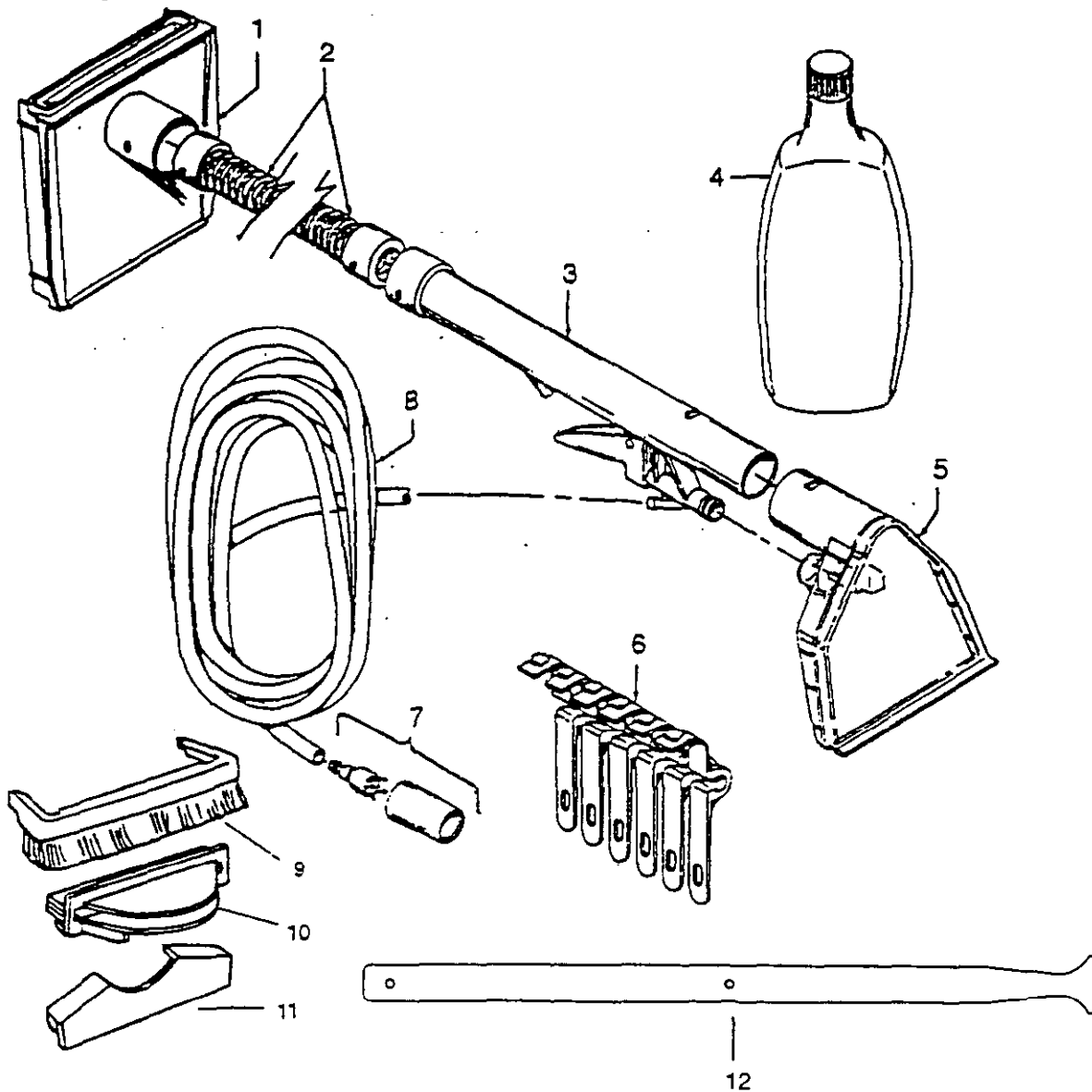


# Upright Extractor



Ref. No.	Part No.	Description
	48481043	Cleaning Tool Hose Assembly (Inc. Items 1,2,3, & 5)
1	38655002	Tool Converter
2	38671035	Hose w/Collars
3	43516006	Wand Valve Assm.
4	57333016	Carpet Cleaning Solution - 16 oz.
5	38619011	Upholstery Nozzle
6	36172033	Tube Strap (6)
7	43513007	Connector/Coupler Sleeve Assm.
	43513010	Connector/Coupler Sleeve Assm. (Attached Tool Style)
8	OM100168	Solution Tubing Assem. (Inc. item 7)
9	48448001	Spot Brush Assembly
10	38619018	Corner Tool
11	38619019	Edge Tool
12	39514001	Nozzle Cleanout Tool

### OPTIONAL CHEMICALS

40301064	Carpet Cleaning Solution 64 oz.
40302016	Pre-Spotter Solution w/sprayer 16 oz.
40303032	Bare Floor Solution - 32 oz.

## Upright Extractor

## Models F5851, F5855, F5859

Ref. No.	Part No.	Description	Ref. No.	Part No.	Description
1	42272111	Recovery Tank Lid Assem. (Incl. It. 2)	53	38781048	Motor Base Seal
2	38762010	Tank Filter	54	36131086	Trunnion Cover - LH
3	38661002	Duct	55	38434025	Switch Actuator Lever
4	38777018	Recovery Tank Assm.( Inc. items 1, 3 )	56	28218048	ON/OFF Switch
5	39383106	Lens	57	36172016	Cord Retainer
6	37257205	Door (Incl. It. 8, 9) - F5859	58	37272088	Main Body
	37257105	Door (Incl. It. 8, 9) - F5855	59	37276001	Handle Cover
	37257106	Door (Incl. It. 8, 9) - F5851	60	39466033	Lower Handle
7	38351017	Spring -Access Door	61	48663170	Upper Handle Assem. (Incl. It. 38, 63)
8	38783021	Seal	62	52313017	Nameplate - Upper Handle
9	21362006	* Speed Nut	63	39442041	Cord Wrap
10	37271037	Hood Assem. (Incl. 6 ,7, 8, 9) -F5859	<b>Items Not Illustrated</b>		
	37271035	Hood Assem. (Incl. 6 ,7, 8, 9) -F5855	48417002		Bare Floor Cleaner Tool Assem.
	37271036	Hood Assem. (Incl. 6 ,7, 8, 9) -F5851	36433092		Hose Caddy - F5855, F5859
11	21447020	* Screw - Self Tapping (5)	40201142		Hose Caddy Hardware F5855, F5859
12	38421093	Indicator Knob	43412003		Sprayer - F5855, F5859
13	43613009	Screen Assembly			
14	43582003	Pump Assembly (Incl. It. 21)	51638055		Handle Release Label
15	21447217	* Screw - Self Tapping (5)	51865024		On / Off Label
16	43191001	Turbine and Gear Assem. (Incl. It. 12,20)	51639124		Door Label - Uph & Stair Cing. Conn.
17	48437022	Brush Block Assem.	51855028		Agitator Speed Label
18	21479438	* Screw (2)	<b>Packaging Material</b>		
19	21447072	* Screw - Self Tapping (2)	56518082		Owner Manual
20	38333009	Spring	58176023		Carton - Common
21	43523003	Quick Disconnect Assembly	58313006		Handle Protector
22	160017	* Retaining Ring (2)	58315006		Rear Support
23	36131085	Trunnion Cover - RH	58332024		Bottom Rear Support
24	32434006	Rear Axle (2)	58364017		Mid Support
25	38522076	Rear Wheel (2)	58461011		Rear Support
26	38458042	Handle Release Lever	58461027		Front Support
27	38784063	Standpipe Seal			
28	43576163	Motor			
29	33241001	Elbow Connector			
30	37196141	Motor Cover			
31	21447232	* Screw - Self Tapping (4)			
32	36151029	Tank Release Latch - LH			
33	36151019	Tank Release Latch - RH			
34	42272106	Solution Tank Assem. (Incl. It. 35, 36, 37, 39, 40,41,42)			
35	38784062	Gasket			
36	42272002	Solution Tank Cap			
37	39457016	Solution Tank Handle			
38	38458031	Control Rod - Upper			
39	38312014	Spring - Solution Tank			
40	21312518	* Washer - Brass			
41	38784061	Valve Seal			
42	38717009	Valve Stem - Solution Tank			
43	38458033	Control Rod - Lower			
44	38784060	Solution Tank Seal			
45	43516008	Reservoir Assem. (Incl. It. 44)			
46	40309002	Tubing Assem. (Incl. It. 29,46,47)			
47	40309002	Tubing Assem. (Incl. It. 29,46,47)			
48	40201145	Handle Hardware			
49	34113004	Motor Seal			
50	1105586	Screw - Self Tapping			
51	12227	Insulated Terminal			
52	46583012	Attachment Cord - 33'			