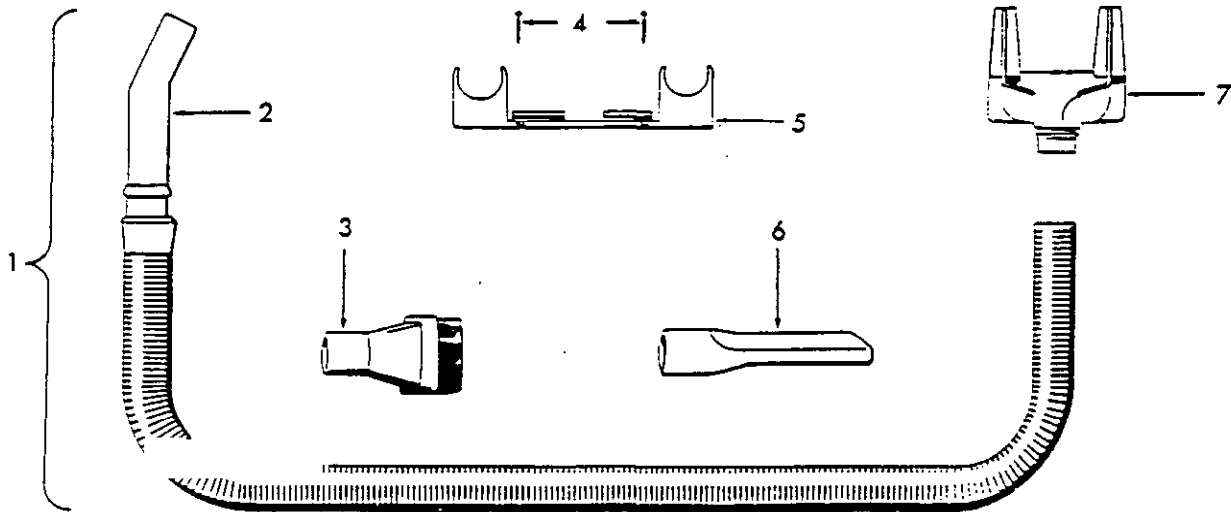


**Brush Vac Tool Kit
Twist-N-Vac Tool Kit**

**Model S1901
Model S1903**



Model S1901

Ref. No.	Part No.	Description
1	43431192	Hose (w/Hand Grip)
2	39454059	Hose Connector - Curved
3	43414145	Dusting Brush - Friction
4	40201142	Wall Rack Hardware
5	36433040	Wall Rack
6	38617024	Crevice Tool
7	38656027	Converter Body

ITEMS NOT ILLUSTRATED

58369063 Carton

Model S1903

Ref. No.	Part No.	Description
1	43434007	Hose (w/Hand Grip)
2	39454059	Hose Connector
3	43414145	Dusting Brush - Friction
4	40201142	Wall Rack Hardware
5	36433056	Wall Rack
6	38617024	Crevice Tool
7	38656032	Converter Body

ITEMS NOT ILLUSTRATED

58369071 Carton