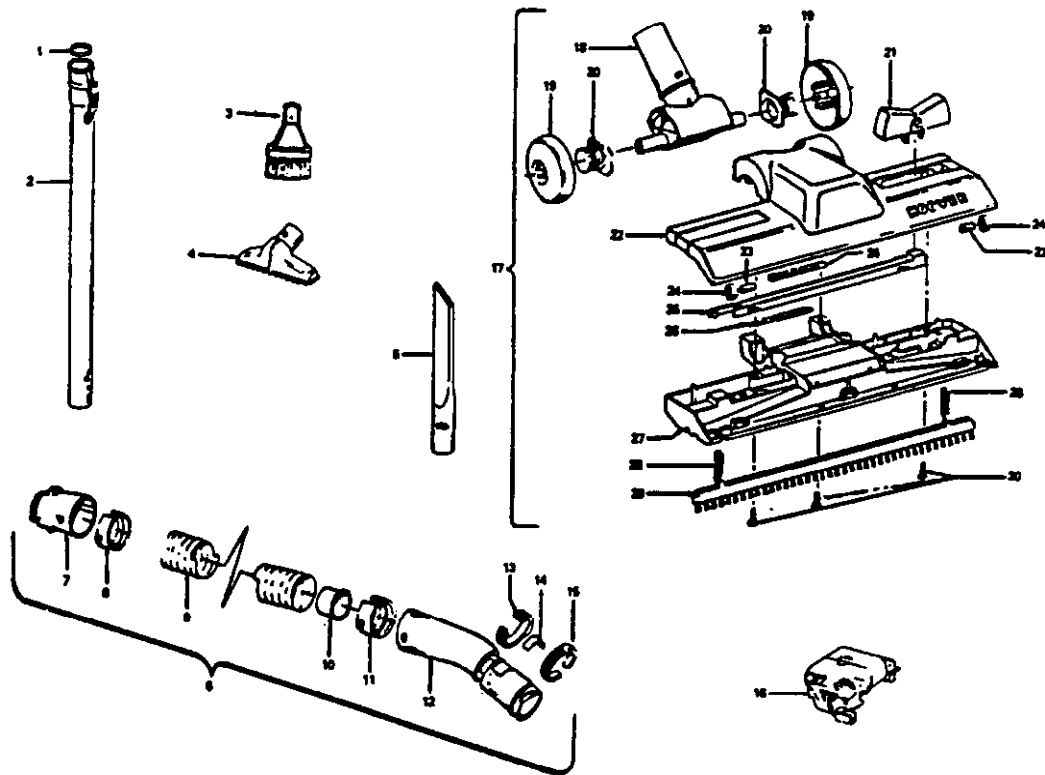


Ref. No.	Part No.	Description
1	43414151	Rug & Floor Nozzle Assm. - AAP
2	38646046	Nozzle Tube - AAP
3	38615153	Nozzle Body - AAP
4	38521018	Roller (2)
5	31511004	Roller Axle - AY (2)
6	38414018	Brush Housing
7	166649FW	Spring (2)
8	48443003	Brush Back Assm. - AG
9	21447203	Screw Self Tapping (2)
10	38454004	Brush Back Lever - MV
11	21329105	Felt Washer
12	43434223	Hose Assem. Comp.
13	32458001	Hose Connector - AAP- S1049-060, S1077-060, S1079-060
	38656007	Hose Connector - AAP- S1075-060
14	12615BZ	Hose Connector Collar - S1049-060, S1077-060, S1079-060
	38671011	Hose Connector Collar - S1075-060
15	32156010	Hose Sleeve (2)
16	43431202	Hose Less Ends - S1049-060, S1077-060, S1079-060
	38671016	Hose Less Ends - S1075-060

Ref. No.	Part No.	Description
17	36116008	Hose Connector Collar - S1049-060,
	36171025	Hose Connector Collar - S1075-060
18	43466044	Hose Connector Curved w/Rings - S1049-060, S1079-060
	43466054	+ Hose Grip Assm. - S1075-060, S1077-060
19	38711006	Suction Control Ring - MV - S1049-060, S1079-060
20	51869006	Label - S1049-060, S1079-060
	51869001	Label - S 1075-060, S1077-060
21	36153021	Latch Ring - MV
22	38617018	Crevice Tool - AAP
23	43414057	Furniture Nozzle Assm. - AAP
	38614024	Furniture Nozzle - AAP - S1077-060
24	38638044	Extension Tube - Poly - AG
25	43414064	Dusting Brush Assm. - AAP
26	36433042	+ Tool Storage Rack - AAP - S1077-060, S1079-060

ITEMS NOT ILLUSTRATED

43414016	Furniture Brush - AG
----------	----------------------



Ref. No.	Part No.	Description
1	12845JM	Gasket
2	43453027	Extension Tube
3	43414064	Dusting Brush Assm. - AAP
4	38614024	Furniture Nozzle - AG
5	38617018	Crevice Tool - AAP
6	43434223	Hose Assem. Comp.
7	38656017	Hose Connector - MV
8	38671011	Hose Connector Collar
9	38671029	Hose Less Ends - AAV
10	32156010	Hose Sleeve
11	36171025	Hose Connector Collar
12	43466048	Hose Grip Assm. - MV
13	38711006	Suction Control Ring - MV
14	51869006	Label
15	36153021	Latch Ring - MV
16	36433042	+ Tool Storage Rack - AAP
17	43414101	Rug & Floor Nozzle Assm. - AAP

Ref. No.	Part No.	Description
18	38646045	Nozzle Tube - AAP
19	43244027	Wheel & Bearing Assm. (2)
20	38511016	+ Wheel Bearing - AAT (2)
21	38434015	Pedal - MV
22	38615180	Nozzle Body - AAP
23	31511004	Roller Axle - AY (2)
24	38521018	Roller (2)
25	38451008	Slider - AG
26	34122013	+* Seal (2)
27	36414013	Brush Housing - MV
28	166649FW	Spring (2)
29	48443004	Brush Back Assm. - AG
30	21447203	* Screw - Self Tapping (4)