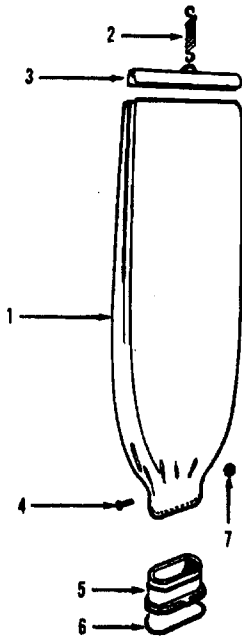


# Cloth Bag & Agitator

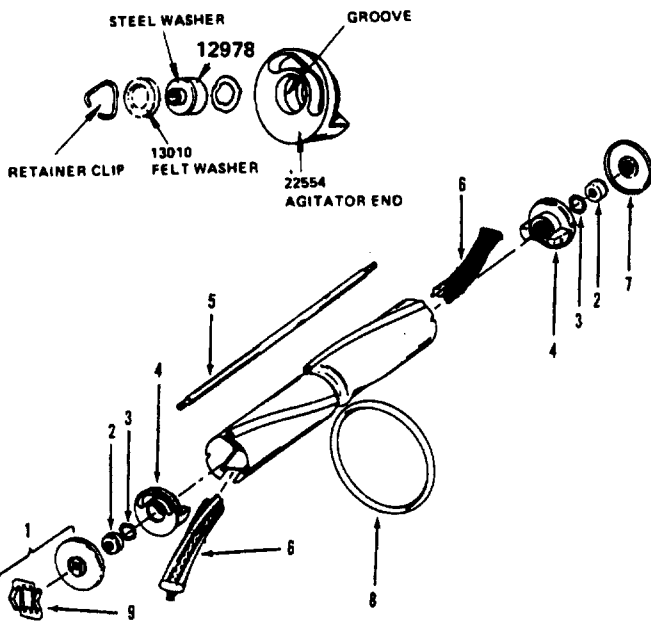
Models 334, 344, 348



## Cloth Bag

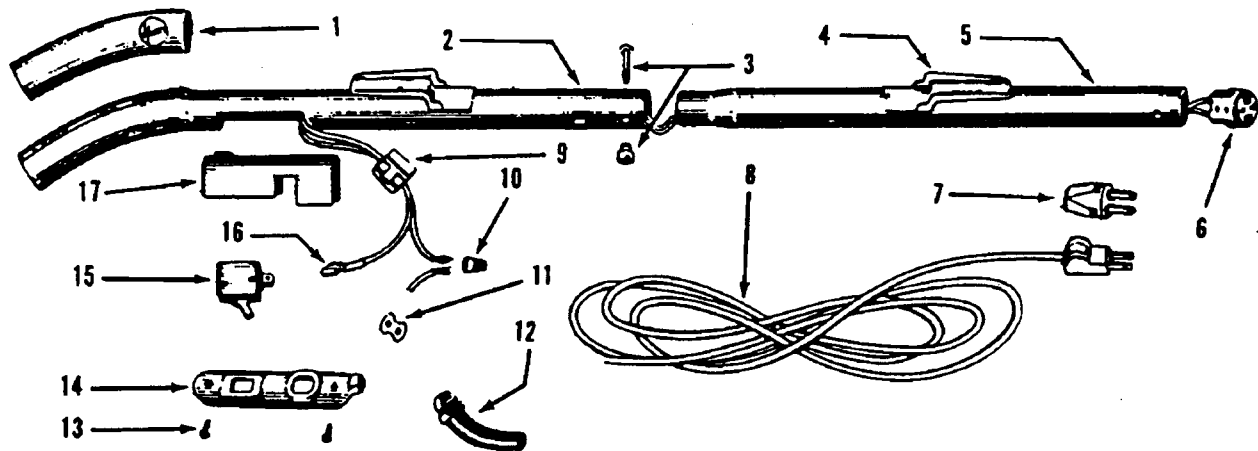
Ref. No.	Part No.	Description
1	43675131	+ Cloth Bag - PVC
2	42990	Spring
3	43362	+ Bag Closure Clip & Spring
4	21765159	* Screw
5	163999	Bag Flange w/Bellows
	41424011	Bag Flange & Gasket
6	47454	+ Gasket
7	15854EF	Nut

## ORIGINAL AGITATOR



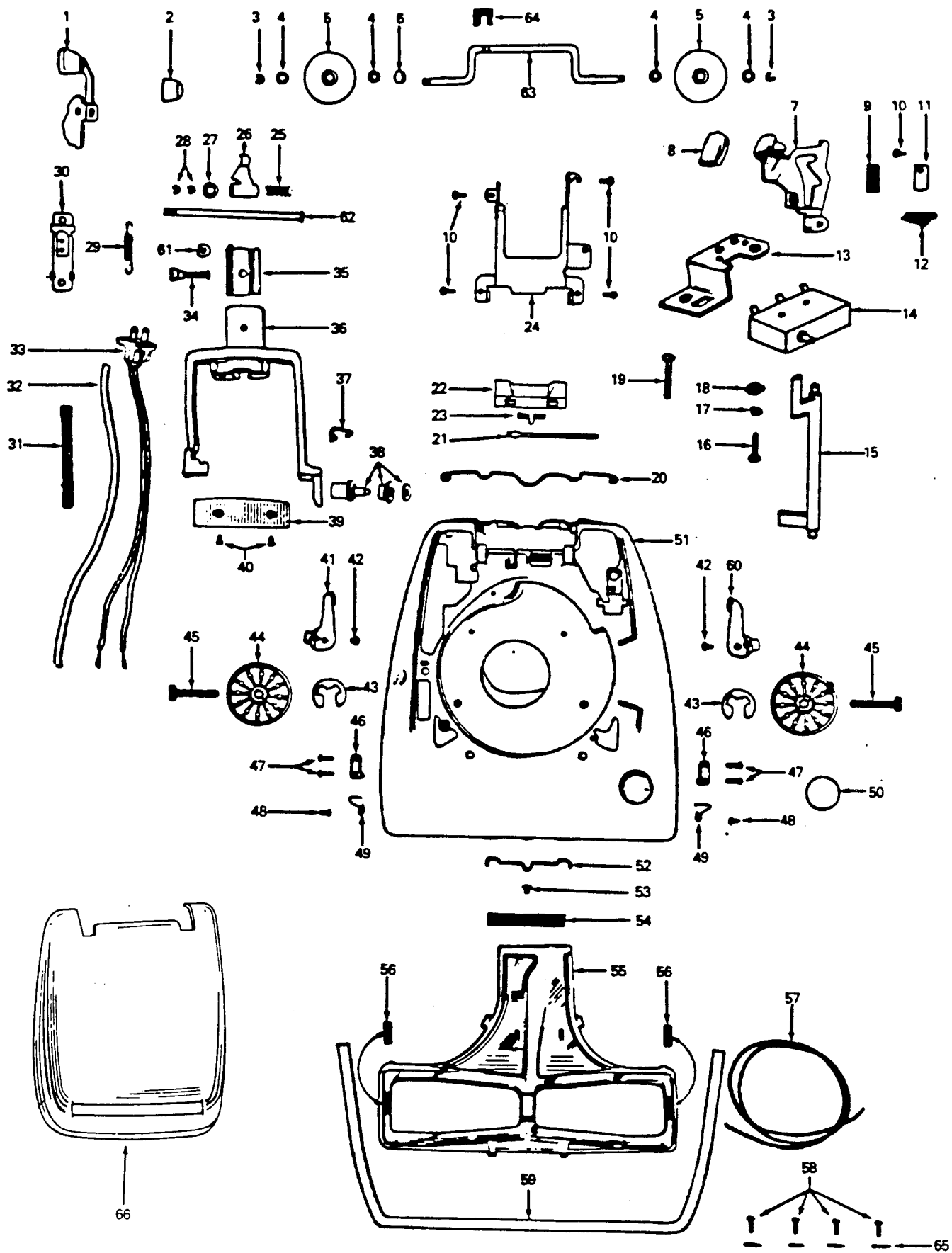
## 41435005 Agitator - 2B

Ref. No.	Part No.	Description
1	49180	Thread Guard - LH
2	43267002	Bearing
3	21347003	* Washer
4	160542	End
5	32724008	Shaft
6	48445001	Agitator Brush - 6M
7	12985AY	Thread Guard - RH
8	44783AG	Belt
9	35366	Thrust Spring

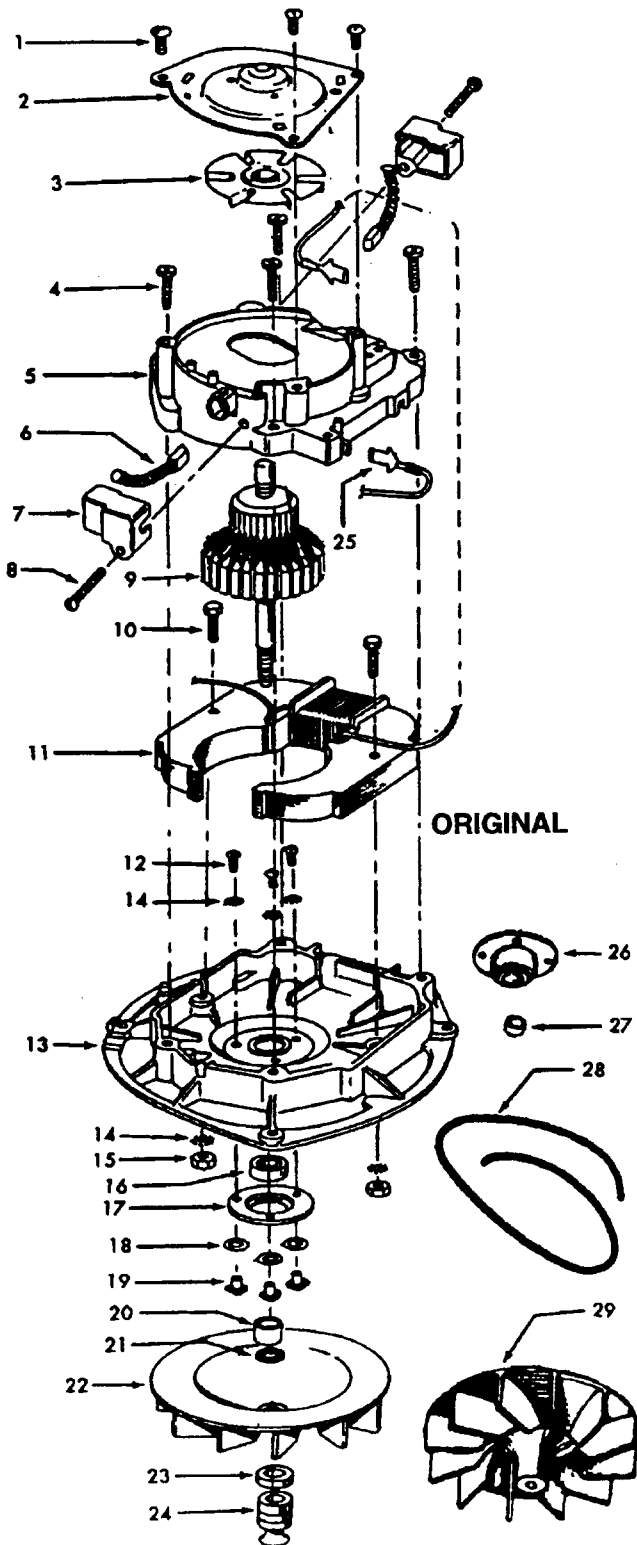


- (A) 48655208 Handle Comp. - 2W
- (B) 163264JM (+) Handle Comp. - 3W

Ref. No.	Part No.	Description
1	23458AG	Handle Grip
2	48655208	Handle Assem. - Upper Half
	163264JM	+ (B) Upper Handle - JM
3	48294AW	Handle Bolt & Nut
4	34485JM	+ Cord Clip
5	48631140	+ (A) Lower Handle - JM
	163264JM	+ (B) Lower Handle - JM
6	34484JM	+ Receptacle - 2W
	163297	+ Receptacle - 3W
7	35380	Plug - 2W
	25084	+ Plug - 3W
8	46383137	Cord - 2W - NM - 35
	46583031	Cord
9	12260	+ Strain Relief
	12261	+ Strain Relief Lock
10	48969	* Wire Nut
11	18676	Cord Lock
12	31969AG	Cord Protector
13	21465314	* Screw
14	23138AW	Switch Plate
15	12971	Switch
16	160356	* Terminal
17	12272	+ Switch Insulator & Bushing







Ref. No.	Part No.	Description
	43574140	Motor - 2-Speed
1	45533AY	* Screw
2	42934002	Upper Bearing
3	38755004	Vent Fan - (Plastic)
4	161535	* Screw
5	19857	+ Upper Motor Case
6	47318012	Carbon Brush
7	36315003	Brush Cap
	36315003	Cap - Early Model
8	46930AZ	+* Screw - Early Model
9	44765085	Armature
10	45118	* Bolt
11	45412017	Field Coil
12	21772501	* Screw
13	42193006	Lower Motor Case -w/Sealant
14	14062	* Washer
15	15673	* Nut
16	43267006	Bearing & Hardware
17	32184003	Retainer
18	19772	* Washer
19	45251	Nut
20	31731002	Spacer
21	166563	* Washer
22	38755010	Fan - (Plastic)
23	31162004	* Washer
24	38532009	Motor Pulley

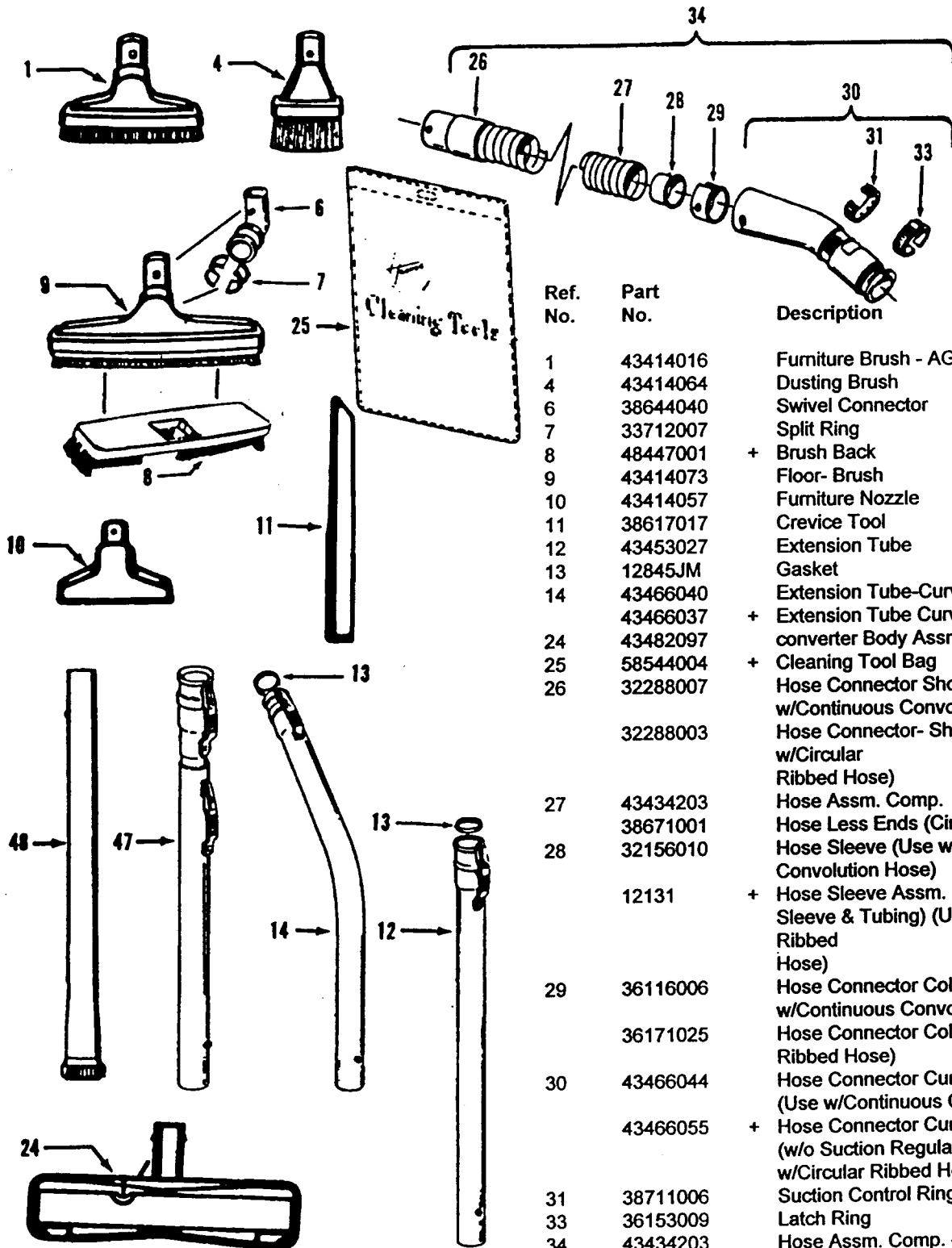
ORIGINAL

26	19829	Lower Bearing & Hardware
27	163059	+ Spacer
28	47232	Gasket
29	38755010	Fan

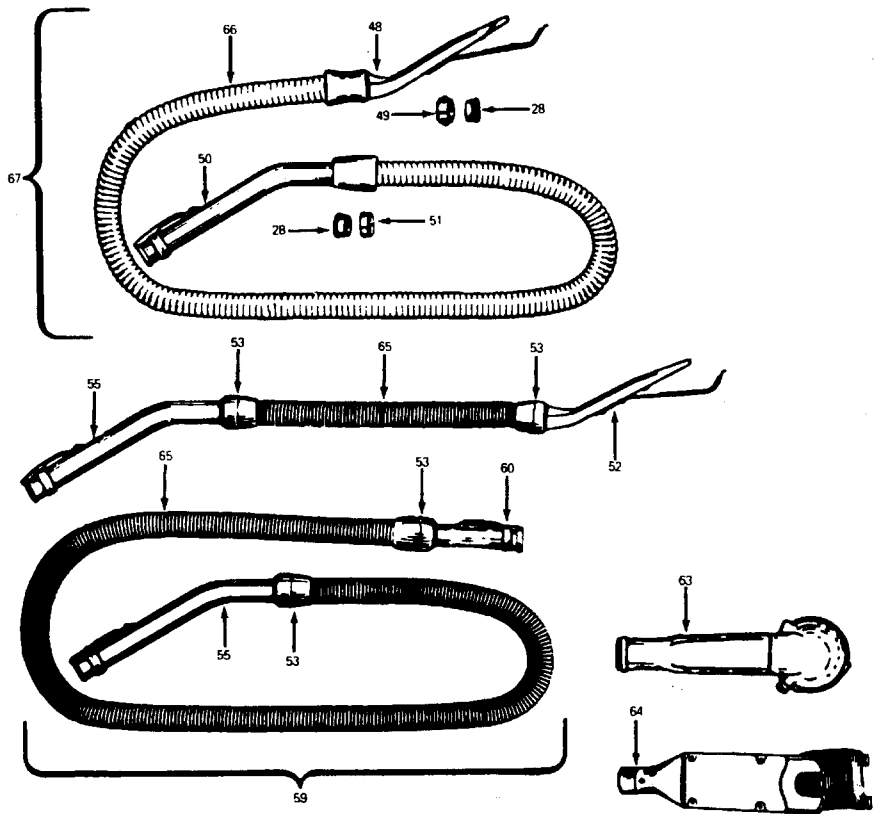
ITEMS NOT ILLUSTRATED

40300014	Armature Spacer/Split Sleeve Kit (For use with Lower Mtr. Brgs. with 4 attachment holes)
----------	--

# Cleaning Tools



Ref. No.	Part No.	Description
1	43414016	Furniture Brush - AG
4	43414064	Dusting Brush
6	38644040	Swivel Connector
7	33712007	Split Ring
8	48447001	+ Brush Back
9	43414073	Floor- Brush
10	43414057	Furniture Nozzle
11	38617017	Crevice Tool
12	43453027	Extension Tube
13	12845JM	Gasket
14	43466040	Extension Tube-Curved - 17
	43466037	+ Extension Tube Curved - 22
24	43482097	converter Body Assm.
25	58544004	+ Cleaning Tool Bag
26	32288007	Hose Connector Short (Use w/Continuous Convolution Hose)
	32288003	Hose Connector- Short (Use w/Circular Ribbed Hose)
27	43434203	Hose Assm. Comp.
	38671001	Hose Less Ends (Circular- Ribbed)
28	32156010	Hose Sleeve (Use w/Continuous Convolution Hose)
	12131	+ Hose Sleeve Assm. (Includes Hose Sleeve & Tubing) (Use w/Circular Ribbed Hose)
29	36116006	Hose Connector Collar (Use w/Continuous Convolution Hose)
	36171025	Hose Connector Collar (Use w/Circular Ribbed Hose)
30	43466044	Hose Connector Curved w/Rings AAP (Use w/Continuous Convolution Hose)
	43466055	+ Hose Connector Curved w/Latch Ring (w/o Suction Regulator) (Use w/Circular Ribbed Hose)
31	38711006	Suction Control Ring
33	36153009	Latch Ring
34	43434203	Hose Assm. Comp. - Front Conversion (Continuous Convolutions)(w/o Suction Regulator)
	43434209	Hose Assm. Comp. - Front Conversion Circular Ribbed w/o Suction Regulator
47	43458001	Extension Tube
48	3863801P	Extension Tube - Poly - AG



Ref. No.	Part No.	Description
28	32156010	Sleeve
48	13147JM	+ Converter
49	12615BZ	Hose Converter Collar
50	43468018	Hose Tube Curved
51	12704BZ	Hose Grip Collar
52	23473JM	+ Converter
53	23393JM	Hose Grip
55	13143	Hose Tube Curved
59	22671JM	+ Hose Comp. - Ultraflex (Commercial) (Use w/Converter 34202 or 35190)
60	34355	+ Hose End Short
63	35190	Converter (Use w/Hose 22671)

Ref. No.	Part No.	Description
64	34202JM	+ Converter (Use w/Hose 22671)
65	48617 JM	+ Hose Less Ends
66	43434213	Hose Less Ends
67	12864JM	+ Hose Assm. Comp.- Tufflex (Standard Rear Conversion)

ITEMS NOT ILLUSTRATED

169460JM	+ Ultraflex Hose - 50' length
43431011	+ Tufflex Hose - 50' length